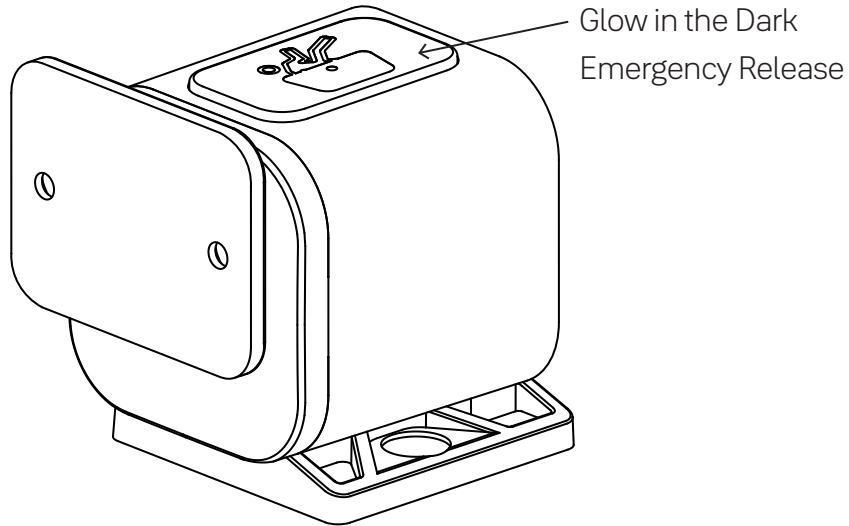
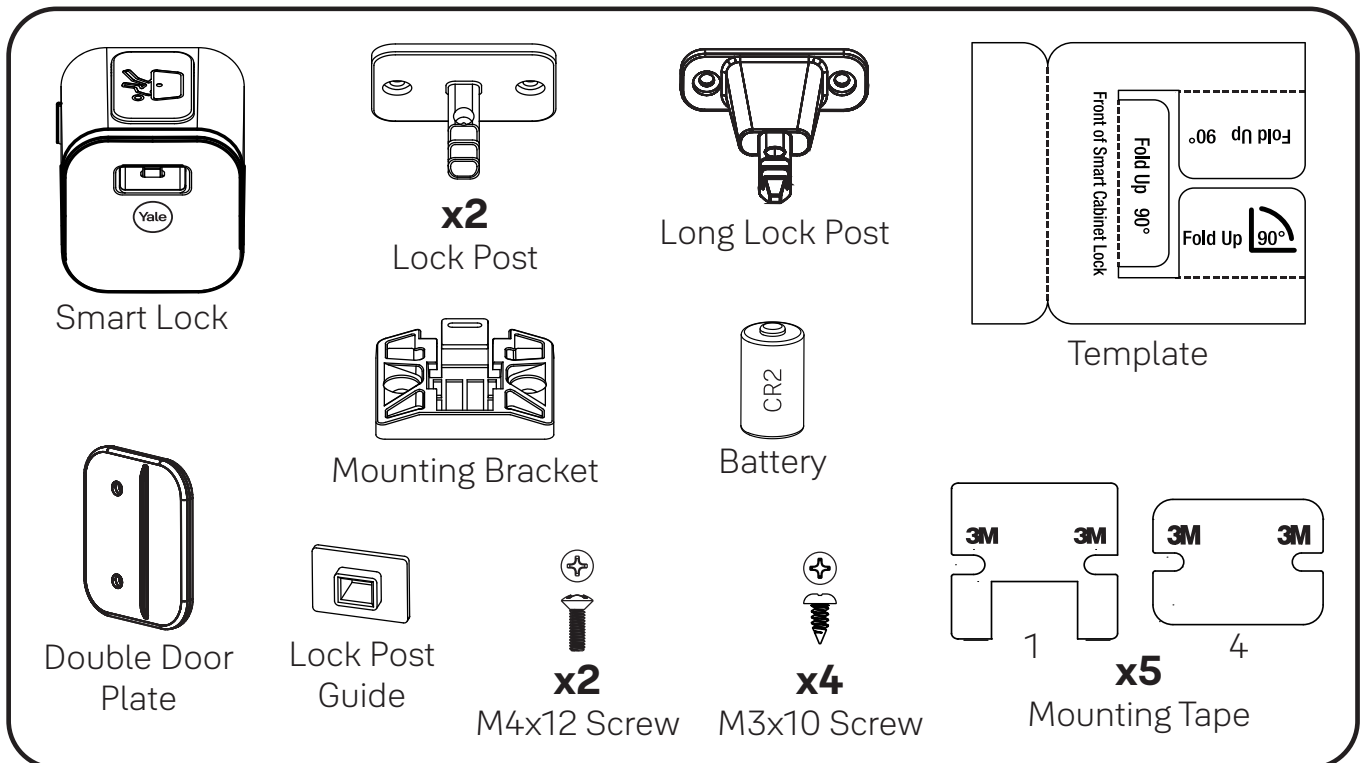




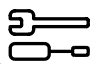
Smart Cabinet Lock Installation Instructions



24/7 1-855-213-5841 support@yalelock.com



1



Download the Yale Access App



Create an account if you don't already have one. If you already use the August App, use the same login.

Select "Set up a Device" from the menu.



Scan the QR code located on the battery door or on packaging. If you run into issues, tap "Can't Scan the Code?" and enter the serial number located on your packaging (starts with Q1).

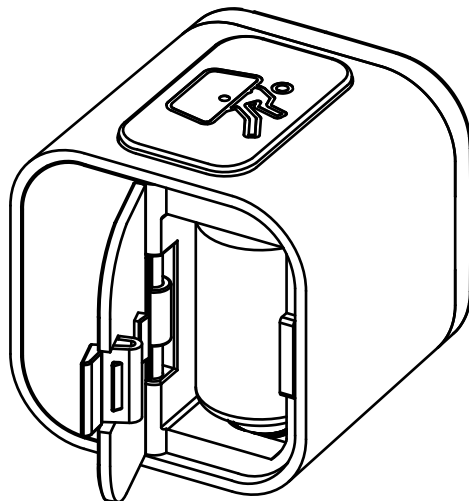
NOTE TO APPLE CUSTOMERS

To control this HomeKit-enabled accessory, the latest version of iOS or iPadOS is recommended. Controlling this HomeKit-enabled accessory automatically and away from home requires a HomePod, Apple TV, or iPad set up as a home hub. It is recommended that you update to the latest software and operating system.

2

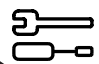


Install Included Battery



Lock will automatically unlock if battery dies. The App will alert you when battery is low.

3



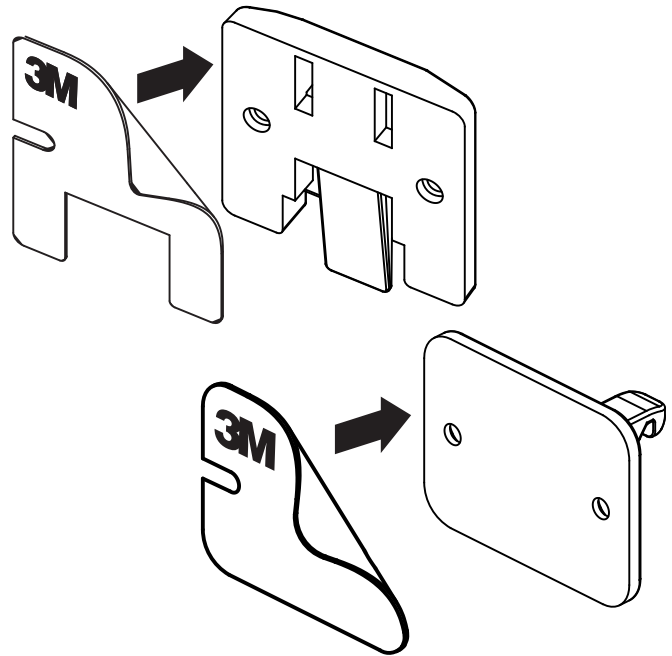
Attach 3M Tape to Mounting Bracket and Lock Post

Clean surface before applying tape.

After placement, wait 24 hours for adhesive to bond to max strength.



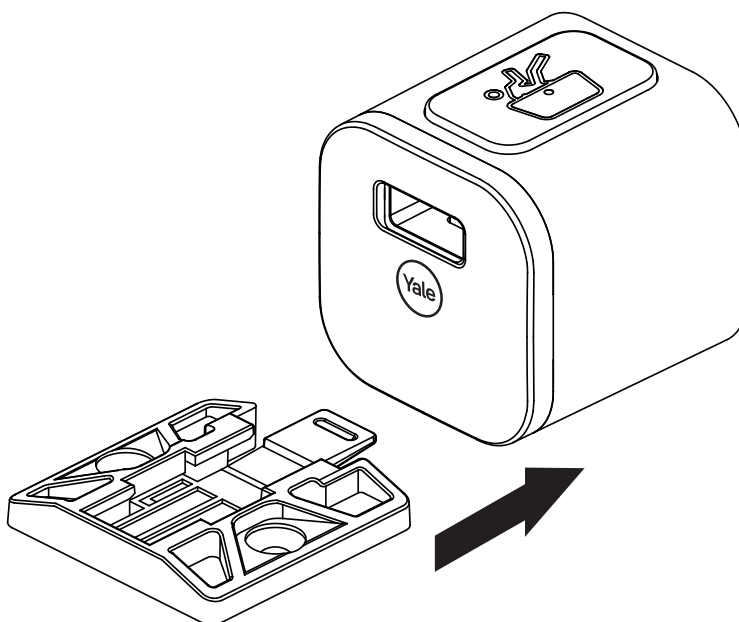
If cabinet has a face frame or lip (max 1" high x max 1-1/4" deep), use long lock post.

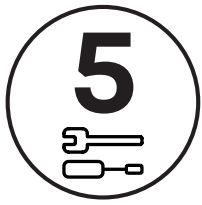


4

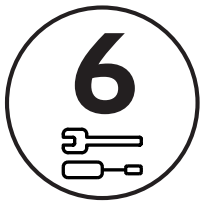
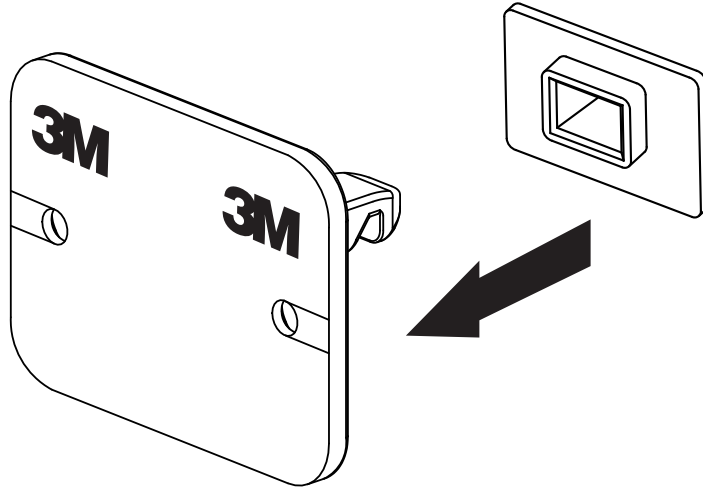


Slide Mounting Bracket onto Bottom of Smart Lock

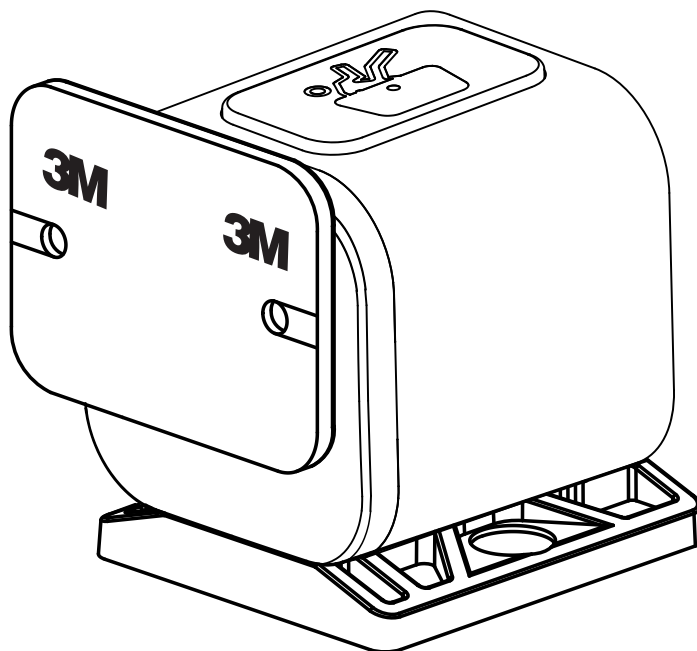




Slide Lock Post Guide onto Lock Post



Attach Lock Post to Smart Lock



7

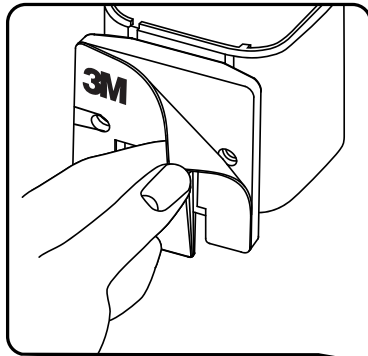
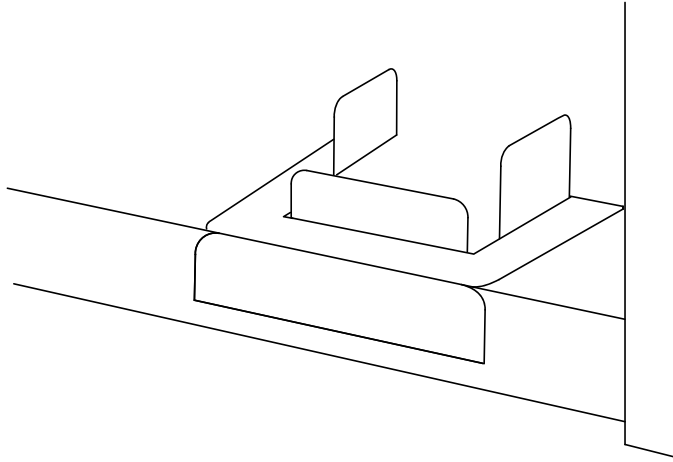


Install Smart Cabinet Lock

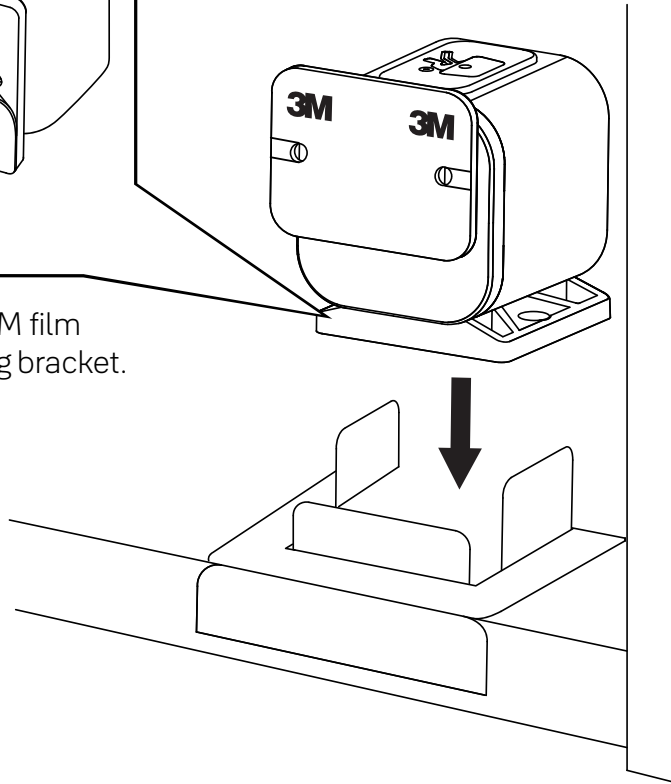
Place template in desired mounting location -
as far from door hinges as possible.

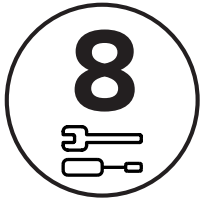


Mounting template cannot be
used to position lock when
using long lock post.



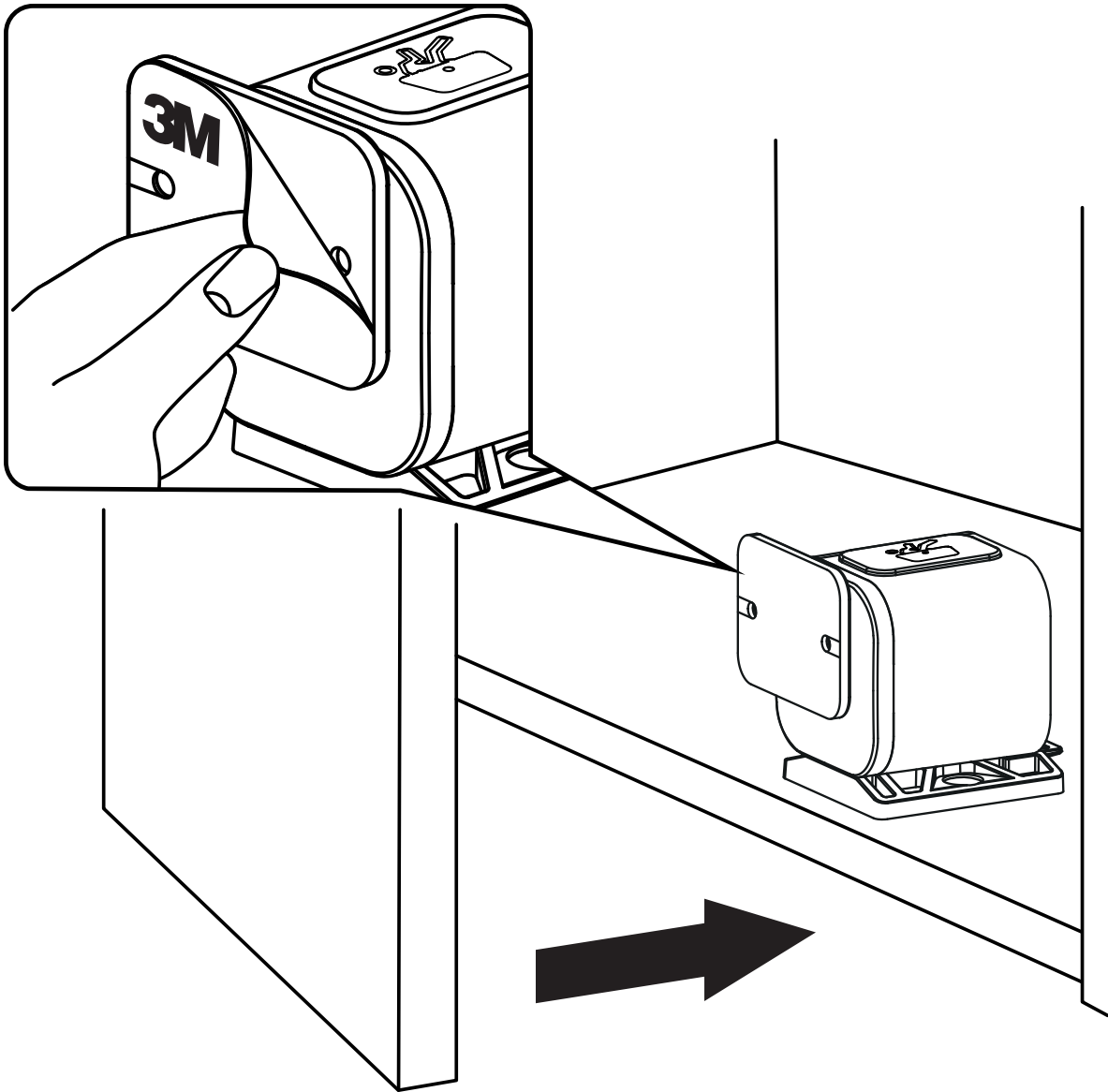
Remove 3M film
from mounting bracket.

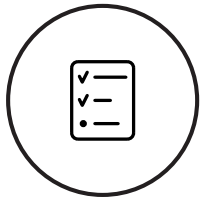




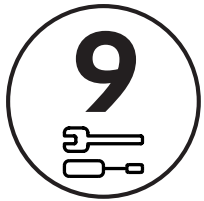
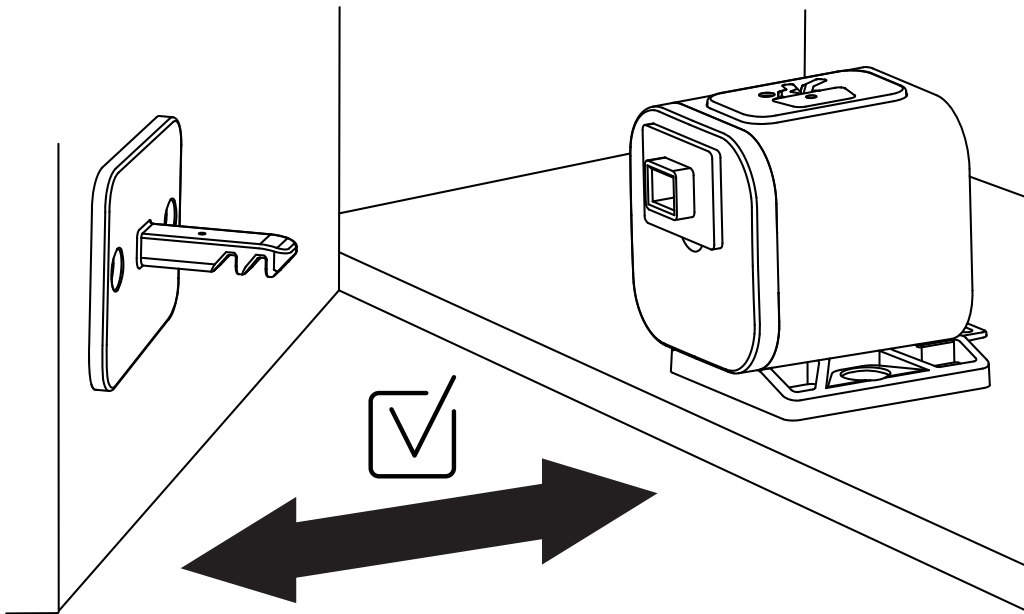
Attach Lock Post to Door

The lock has been tested to resist pulling forces up to 80 lbs.

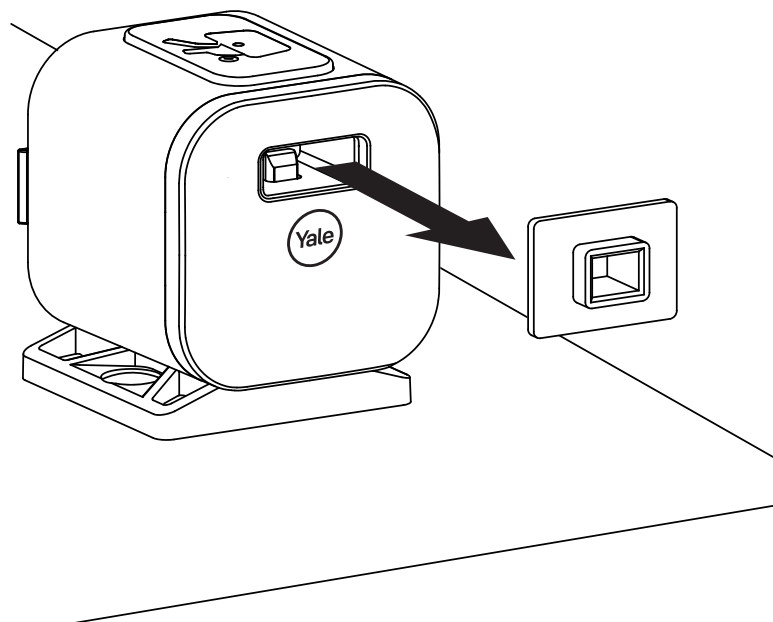


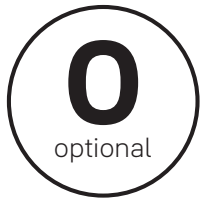


Test Operation

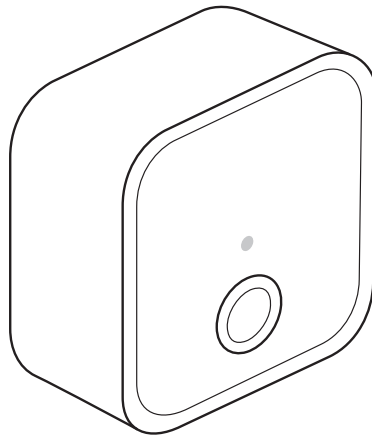


9 Remove Lock Post Guide





Set Up Yale Connect Wi-Fi Bridge



If your lock came with a Yale Connect Wi-Fi Bridge (select models), the Yale Access App will walk you through set up. This must be plugged in within 10 feet of your Smart Cabinet Lock.

Congratulations!
You've completed the installation of your Yale[®] Smart Cabinet Lock.

NOTE TO INSTALLER AND CONSUMER
A second lock post is provided as a spare in the event the cabinet door must be forced open and installed lock post is broken.

0 optional

Screw Mounting



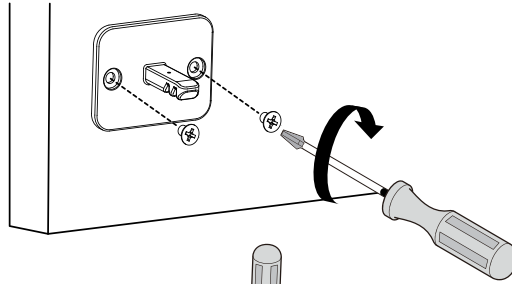
x2



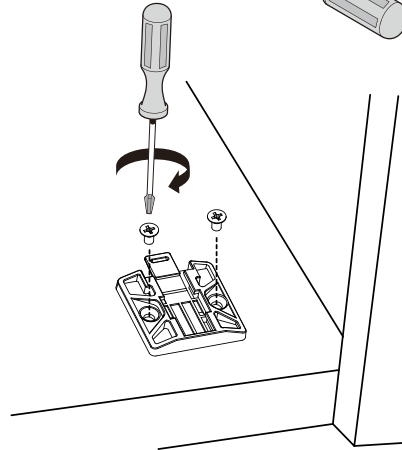
x2



Make sure screws are no longer than thickness of your cabinet door.

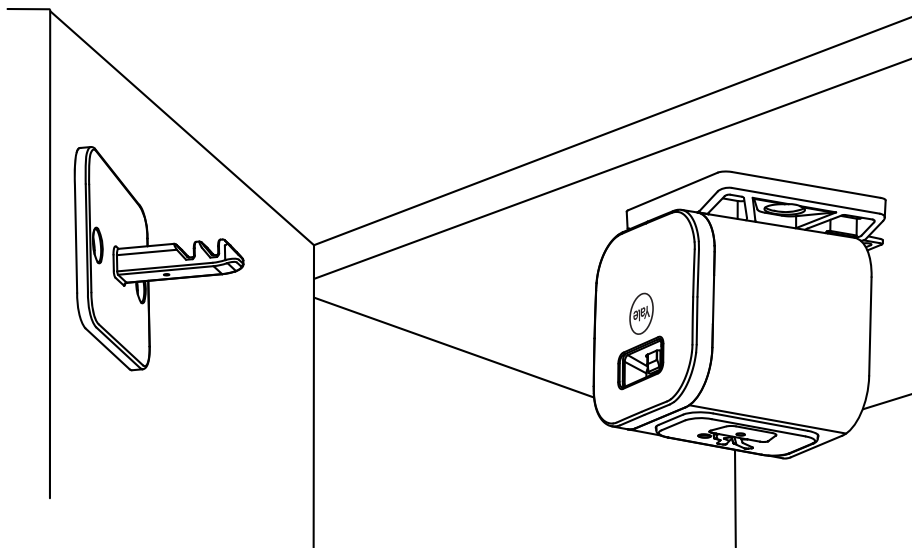


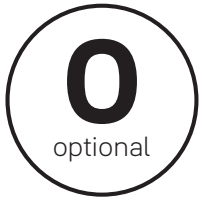
Remove lock from mounting bracket to access screw holes.



0 optional

Top Of Cabinet Installation





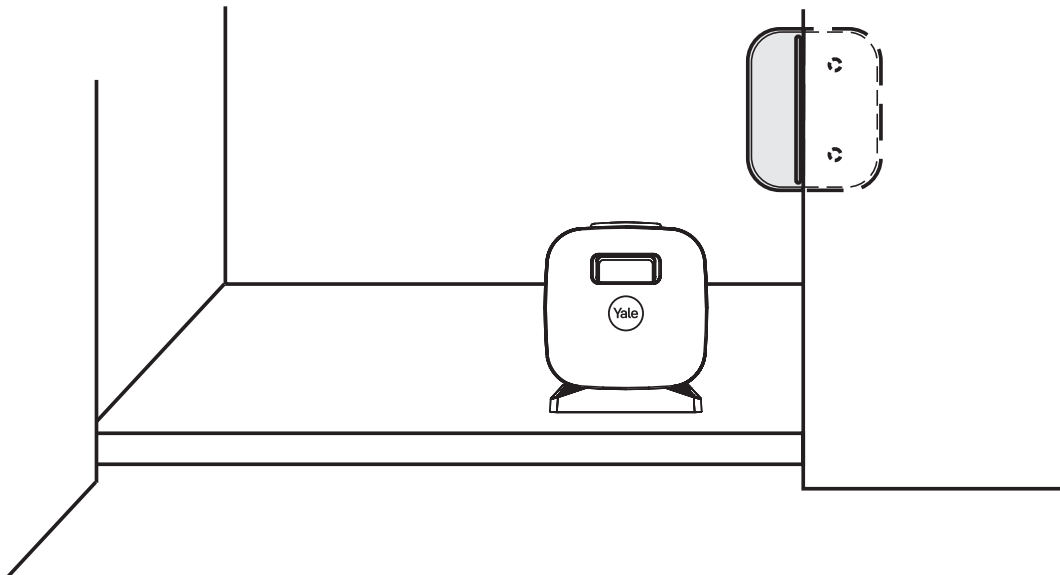
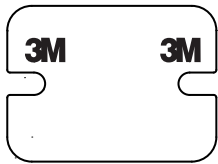
Double Door Plate

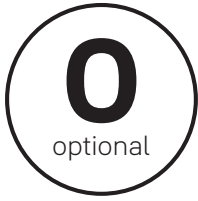


x2

or

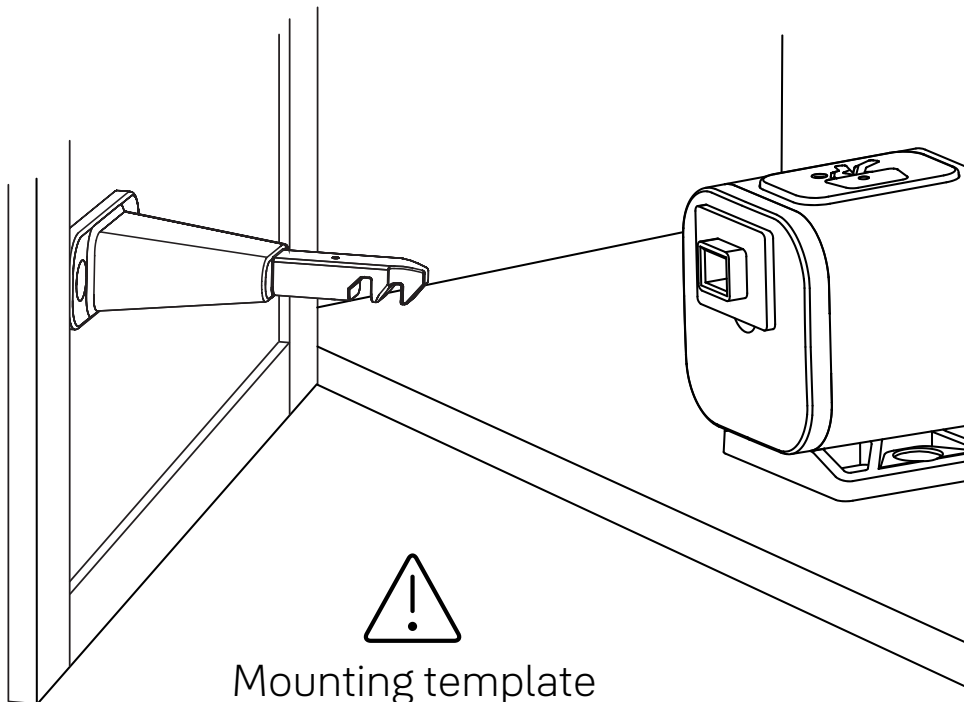
Use screws OR double sided tape to adhere the double door plate when installing the Smart Cabinet Lock on the adjacent door of a double door cabinet.





Long Lock Post

The Long Lock Post is used on cabinets with a face frame or lip no taller than 1" and no deeper than 1-1/4".



Warning triangle with exclamation mark.

Mounting template cannot be used to position lock when using long lock post.



Warning: Changes or modifications to this device, not expressly approved by Yale Home could void the user's authority to operate the equipment.

FCC:

Contain FCC ID: 2ABFG-YRIZW2USTS1

Model: YRCB-490-BLE-WSP

This equipment has been tested and found to comply with the limits for a Class B digital device, pursuant to Part 15 of the FCC Rules. These limits are designed to provide reasonable protection against harmful interference in a residential installation. This equipment generates, uses, and can radiate radio frequency energy and, if not installed and used in accordance with the instructions, may cause harmful interference to radio communications. However, there is no guarantee that interference will not occur in a particular installation. If this equipment does cause harmful interference to radio or television reception, which can be determined by turning the equipment off and on, the user is encouraged to try to correct the interference by one or more of the following measures:

- Reorient or relocate the receiving antenna.
- Increase the separation between the equipment and receiver.
- Connect the equipment into an outlet on a circuit different from that to which the receiver is connected.
- Consult the dealer or an experienced radio/TV technician for help.

THIS DEVICE COMPLIES WITH PART 15 OF THE FCC RULES. OPERATION IS SUBJECT TO THE FOLLOWING TWO CONDITIONS.

(1) THIS DEVICE MAY NOT CAUSE HARMFUL INTERFERENCE, AND

(2) THIS DEVICE MUST ACCEPT ANY INTERFERENCE RECEIVED, INCLUDING INTERFERENCE THAT MAY CAUSE UNDESIRABLE OPERATION.

Industry Canada:

Contain 11626A-YRIZW2USTS1

Model: YRCB-490-BLE-WSP

Section 7.1.2 of RSS-GEN Under Industry Canada regulations, this radio transmitter may only operate using an antenna of a type and maximum (or lesser) gain approved for the transmitter by Industry Canada. To reduce potential radio interference to other users, the antenna type and its gain should be so chosen that the equivalent isotropically radiated power (e.i.r.p.) is not more than that necessary for successful communication.

En vertu des règlements d'Industrie Canada, cet émetteur radio ne peut fonctionner avec une antenne d'un type et un maximum (ou moins) approuvés pour gagner de l'émetteur par Industrie Canada. Pour réduire le risque d'interférence aux autres utilisateurs, le type d'antenne et son gain doivent être choisis de façon que la puissance isotrope rayonnée équivalente (PIRE) ne dépasse pas ce qui est nécessaire pour une communication réussie.

Section 7.1.3 or RSS-GEN This Device complies with Industry Canada License-exempt RSS standard(s). Operation is subject to the following two conditions: 1) this device may not cause interference, and 2) this device must accept any interference, including interference that may cause undesired operation of the device.

Cet appareil est conforme avec Industrie Canada RSS standard exemptes de licence(s). Son fonctionnement est soumis aux deux conditions suivantes: 1) ce dispositif ne peut causer des interférences, et 2) cet appareil doit accepter toute interférence, y compris les interférences qui peuvent causer un mauvais fonctionnement du dispositif.

This radio transmitter 6982A-YRHCPZW0FM has been approved by Industry Canada to operate with the antenna types listed below with the maximum permissible gain indicated. Antenna types not included in this list, having a gain greater than the maximum gain indicated for that type, are strictly prohibited for use with this device.

Le présent émetteur radio 6982A-YRHCPXW0FM a été approuvé par Industrie Canada pour fonctionner avec les types d'antenne énumérés ci-dessous et ayant un gain admissible maximal. Les types d'antenne non inclus dans cette liste, et dont le gain est supérieur au gain maximal indiqué, sont strictement interdits pour l'exploitation de l'émetteur.

CAN ICES-3B/NMB-3B

Yale Home

24/7 Support : 1-855-213-5841 • US.YaleHome.com

Yale® is a registered trademark of Yale Home. Use of the Works with Apple badge means that an accessory has been designed to work specifically with the technology identified in the badge and has been certified by the developer to meet Apple performance standards. Apple is not responsible for the operation of this device or its compliance with safety and regulatory standards. Other products' brand names may be trademarks or registered trademarks of their respective owners and are mentioned for reference purposes only. © Copyright 2021. All rights reserved. Reproduction in whole or in part without the express written permission of Yale Home is prohibited.