



nexTouch™

Keypad Locks



Contents



One Lock Platform, Three Technologies	3	nexTouch exit trim	33
Features & Benefits.....	4	How to Order.....	34
nexTouch cylindrical.....	5	Trim Designs.....	35
How to Order.....	6	Finishes.....	36
Trim Designs.....	7	Functions.....	37
Finishes.....	8	Cylinders.....	38-40
Functions.....	9	Cylinder Collars.....	41
Cylinders.....	10-11	Dimensions.....	42
Latchbolts.....	12	Technology Options.....	43
Strikes.....	13	Options & Accessories.....	44
Dimensions.....	14	Certifications & Listings.....	45
Technology Options.....	15		
Options & Accessories.....	16		
Certifications & Listings.....	17		
nexTouch sectional mortise.....	18		
How to Order.....	19		
Trim Designs.....	20-21		
Finishes.....	22		
Functions.....	23		
Cylinders.....	24-26		
Cylinder Collars.....	27		
Strikes.....	28		
Dimensions.....	29		
Technology Options.....	30		
Options & Accessories.....	31		
Certifications & Listings.....	32		

The fully modular design of Yale nexTouch allows users to easily upgrade to more advanced security technologies as their requirements grow and change.

Standalone Keypad

Great for restrooms, offices, storage closets and more, nexTouch as a standalone keypad is easy to install, program, and manage access with PIN codes.



Data-on-Card

In new construction retrofit projects for multi-family facilities, the data-on-card functionality of nexTouch pairs with Yale Accentra™ software for use with mobile credentials, key cards or fobs.



Wireless

The perfect solution for small business, nexTouch allows wireless integration of the lock into new or existing commercial automation systems.



Features & Benefits



Feature	Benefit
Choice of capacitive touchscreen or tactile pushbutton keypad	Touchscreen responds to human touch, enabling convenient entrance or access to programming menu. Pushbutton keypad option also available for more tactile requirements, such as ADA compliance.
Keyless entry and management	Reduces complexity of key system management
PIN code access	Installations are able to be programmed with up to 500 unique PIN codes and a master code for access to programming.
Modular technology	Allows for upgrade to more advanced security technologies with Data-on-Card and ZigBee/Z-Wave capabilities as requirements change and grow.
Works with cloud-based management software	Single system enables use from anywhere with Internet access from a range of devices, including your computer, smartphone or tablet.
Audit trail	Lifetime audit trail stored within the software to know exactly who has accessed the lock when.
Voice-guided programming in 3 languages	Voice-guided prompts make updates straightforward and effortless in English, Spanish or French.
Three (3) volume modes	Playback can be set for normal, low or silent.
Privacy feature with Door Position Sensor	By holding the interior lock button down for 1.5 seconds, the exterior keypad is temporarily disabled ensuring complete privacy and no additional entry.
Weather resistant gasket seal	Lock is operational even in outdoor settings, in temperatures ranging from -40°F to 140°F (-40°C to 60°C) at 95% relative humidity.
Low battery indicator	Blinking designation signals internal 4 AA alkaline batteries are low.
9V battery power backup feature	With the touch of a 9V battery to the designated area on the front of the lock, your nexTouch can be powered up for one-time entry.
Hardwire power capable	Can be powered externally using remote 9VDC power supply and plug-in wall transformer.
Keypad lockout feature	Deters tampering by disabling the keypad for a default of 180 seconds after five (5) successive failed attempts.

nexTouch™ Cylindrical



CYLINDRICAL



How To Order



Cylindrical

Quantity	Lever Design	Series/Function	Technology	Finish	Advanced Functions	Door Thickness	Cylinder	Latch	Strike
#	AU - Augusta	NTB612 - Bored lock, key override, pushbutton keypad	NR - Keypad only, no radio	605 - Bright brass, clear coated	*DPS	1-3/4" 1-3/8"	1803-53L - 6-pin cylinder standard, see pages 10-11 for additional options ¹	694 latchbolt with 2-1/4" x 1-1/8" front, 2-3/4" backset and 1/2" bolt throw standard, see page 12 for additional options	497 ANSI strike standard, see page 13 for additional options
	MO - Monroe	NTB622 - Bored lock, key override, capacitive touchscreen keypad	ZW2 - Z-Wave wireless communication	613E - Dark oxidized bronze - equivalent					
	PB - Pacific Beach	NTB632 - Bored lock, no key override, pushbutton keypad		626 - Satin chrome plated					
		NTB642 - Bored lock, no key override, capacitive touchscreen		BSP - Black suede powder coat					




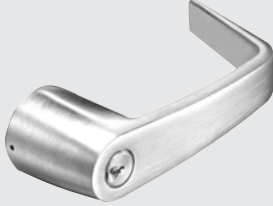
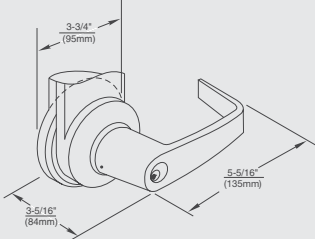

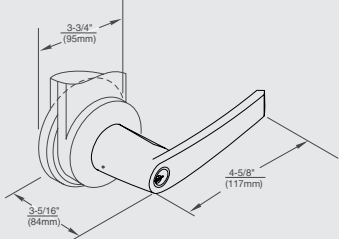

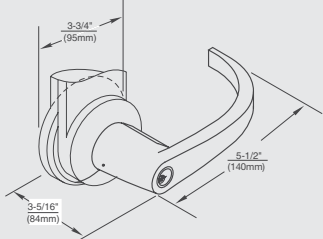
¹When ordering SFIC and LFIC cylinders, please use appropriate prefix before lever selection. See page 11 for more information.

*Use DPS option code for Advanced Functions. An Auxiliary Door Position Sensor (DPS) must be installed with the lock to enable both Escape Return and Privacy functions. If DPS is not included in the parts string, the Door Position Sensor will not be supplied with the lock. Note that selecting the DPS option code will incur an upcharge. See current price list.

Build Your Order String

Quantity	Lever Design	Series/Function	Technology	Finish	Advanced Functions	Door Thickness	Cylinder	Latch	Strike
Example:	AU	NTB612	NR	626		1-3/4"	1803-53L	694	497
Example	PB	NTB622	ZW2	626	DPS	1-3/4"	1803-53L	694	697

Cylindrical

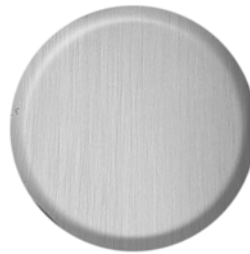
<p>AUGUSTA AU Lever: Cast Zinc</p> 	<p>MONROE MO Lever: Cast Zinc</p> 	<p>PACIFIC BEACH PB Lever: Cast Zinc</p> 
 	 	 

 All levers available with small and large format interchangeable core. See page 11 for details.

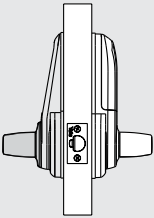
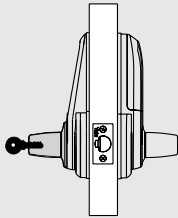
Finishes



ANSI/BHMA Code Finish Description			
605 Bright Brass, Clear Coated	613E Dark Oxidized Satin Bronze - equivalent	626 Satin Chrome Plated	BSP Black Suede Powder Coat



Cylindrical

NTB632 Pushbutton NTB642 Touchscreen	NTB612 Pushbutton NTB622 Touchscreen
<p>Without Cylinder Override</p> <ul style="list-style-type: none">• For doors that do not require mechanical key override.• Latchbolt retracted by lever outside with valid PIN code, or by operating lever inside.• Inside lever always active.• Deadlocking latchbolt.  <p>Outside Inside</p>	<p>With Cylinder Override</p> <ul style="list-style-type: none">• For doors that require mechanical key override.• Latchbolt retracted by lever outside with valid PIN code; by use of mechanical key, or by operating lever inside.• Inside lever always active.• Deadlocking latchbolt.  <p>Outside Inside</p>

Cylinders



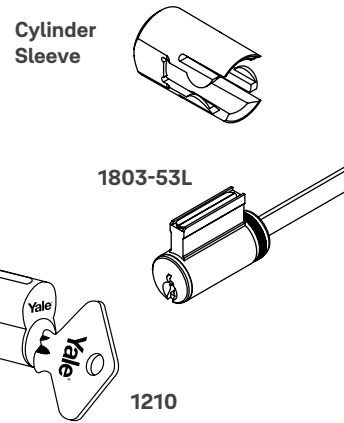
Cylindrical

Cylinder Options

The following selection guide indicates the correct cylinder for each locking segment.

Lockset Series nexTouch™	Types of Cylinder Mechanisms						
	Fixed Core	Conventional		Protected Keyway		Security	
Cylinder Types		6-pin	7-pin	6-pin	7-pin	6-pin	7-pin
Key-In-Lever	1803-53L	N/A	K403-53L	N/A	5803-53L	N/A	
Interchangeable Core							
LFIC	1210	N/A	K800	N/A	5210	N/A	
SFIC	A600	A600	K600	K600	N/A	N/A	

Note: The 1803-53L Cylinder requires an adapter sleeve to fit in the nexTouch lockset. (P/N 14-YM00-9078-999)



Refer to Yale® KeyMark® and/or Cylinders and Keys Catalog sections for all details and how-to-order examples.

Other Manufacturers' Keyway Cylinders

Illustration	Description	Model Number	Number of Pins
	Best® Keyway Cylinder. Available keyed random, master keyed or uncombined. Specify keyway A, B, C, D, E, F, G, H, J, K, L or M.	A600	6 or 7
	Schlage® "C" Keyway. Available 0-bitted or keyed random.	2803-53L*	6
	Corbin Russwin "L4", Corbin "60", Russwin "D1", Sargent® "LA" or Schlage® "E" Keyway. Specify keyway. Available keyed random.	3803-53L*	6
	Arrow "AR" Keyway. Specify keyway. Available keyed random.	100CV1	6

*The 2803-53L and 3803-53L cylinders require a cylinder sleeve (P/N 14-YM00-9078-999) to fit the nexTouch™ lockset.

Cylindrical (Continued)

Levers Accepting SFIC And Other Manufacturers' Large Format Interchangeable Cores

	Description	Lever Prefix	Number of Pins
	SFIC (Accepts all Small Format Interchangeable Cores)	B (i.e. B-AU, B-MO, B-PB)	6 or 7
	Corbin Russwin (LFIC)*	R (i.e. R-AU)	6
	Medeco®, ASSA® (LFIC)**	M (i.e. M-AU)**	6
	Sargent (LFIC)	SG (i.e. SG-AU, SG-PB)	6
	Schlage® (LFIC)	SI (i.e. SI-AU, SI-PB)	6

*Corbin Russwin LFIC only available with AU lever, 6-pin only.

**Medeco®, ASSA® option available only with AU lever. (Note: For Medeco 32 series cores.)

LFIC = Large Format Interchangeable Core

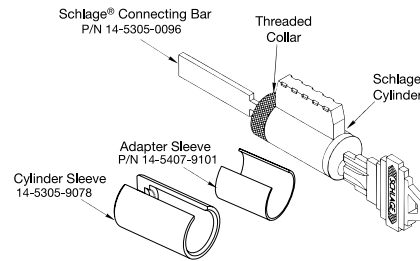
SFIC = Small Format Interchangeable Core

108 Schlage® Cylinder Adapter Kit

Kit used to modify Schlage® cylinder to fit nexTouch™.

P/N 14-5305-0090-048 - 108S

Kit includes tailpiece and sleeve. To order the 108S adapter kit, use an "S" prefix (i.e., S-AU x NTB612).



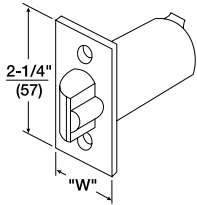
Latchbolts



Cylindrical

Deadlocking Latchbolts

Model No. 694 supplied standard with all nexTouch™ locksets. Model No. 694 latchbolt has a 2-1/4" x 1-1/8" front with a 2-3/4" backset and a 1/2" bolt throw. Optional latchbolts to special order.



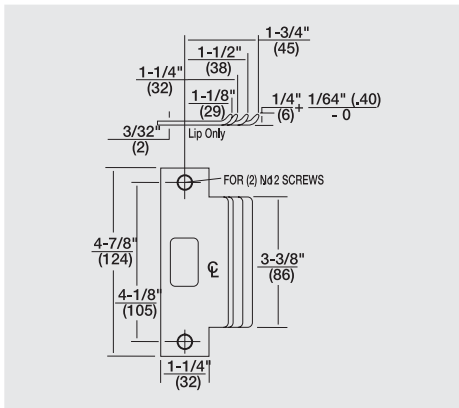
Model No.	Front	Backset	"W" Front Width	Throw	Latch Diameter
694 (standard)	Beveled	2-3/4" (70mm)	1-1/8" (29mm)	1/2" (13mm)	1" (25mm)
F694	Flat	2-3/4" (70mm)	1-1/8" (29mm)	1/2" (13mm)	1" (25mm)
480B	Beveled	2-3/4" (70mm)	1-1/8" (29mm)	3/4" (19mm)	1" (25mm)
F480B	Flat	2-3/4" (70mm)	1-1/8" (29mm)	3/4" (19mm)	1" (25mm)
380N*	Flat	2-3/8" (60mm)	1" (25mm)	1/2" (13mm)	3/4" (19mm)

When ordering latchbolts separately, specify Model No. x Finish (e.g., 694 x 626).

*Using 380N latch results in Grade 2 ANSI/BHMA performance of the lock.

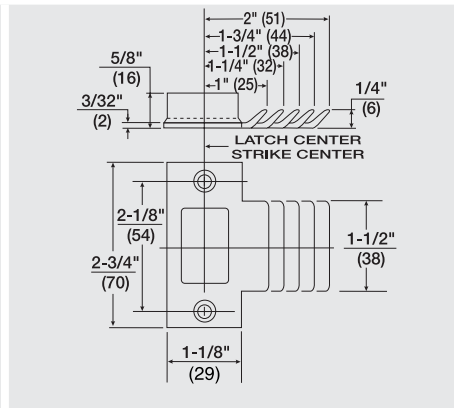
Cylindrical

Yale® nexTouch™ locksets are available with a variety of strike options. All strikes are located on the same vertical and horizontal center lines as the latchbolt. Some strikes are available in a variety of lip lengths to accommodate varying thickness of doors and frames. To determine the proper length of the lip, measure from the center line of the strike to the edge of the jamb and add 1/4" (6mm). All strikes are reversible.



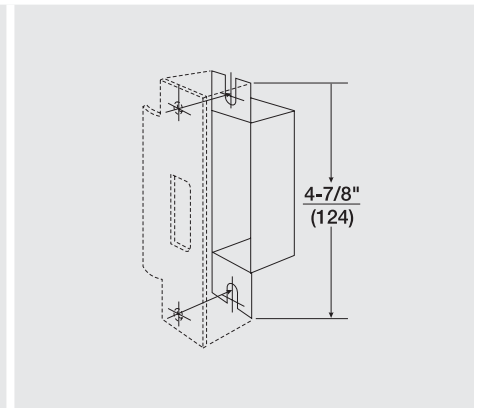
Model No. 497 ANSI Strike (Standard)

For door and frames with ANSI/BHMA A156.115 preparations. 1-1/4" supplied standard. 1-1/2", and 1-3/4" lip lengths available by special order.



Model No. 371 T-Strike (Optional)

1-1/4" curved lip supplied standard. 1", 1-1/2", 1-3/4", and 2" curved lip lengths available by special order. Wrought strike box supplied.



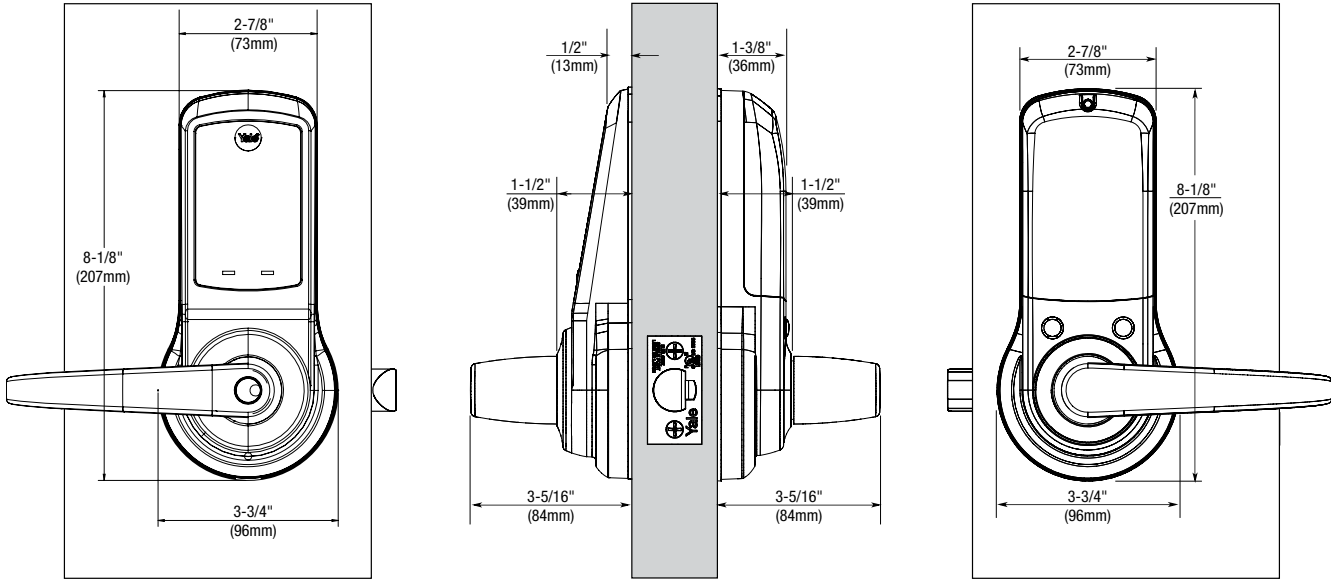
Model No. 202 Strike Box for ANSI Strike (Optional)

Specify 497 x 202

Dimensions



Cylindrical



Dimensions given in inches (mm).

Technology Options



Cylindrical

NR	Keypad only, no radio
ZW2	Z-Wave wireless communication

Yale Accentra™ Data-on-Card module available only through Authorized Channel Partners. If you require another module not listed in this catalog, please contact your local ASSA ABLOY Door Security Solutions sales representative.



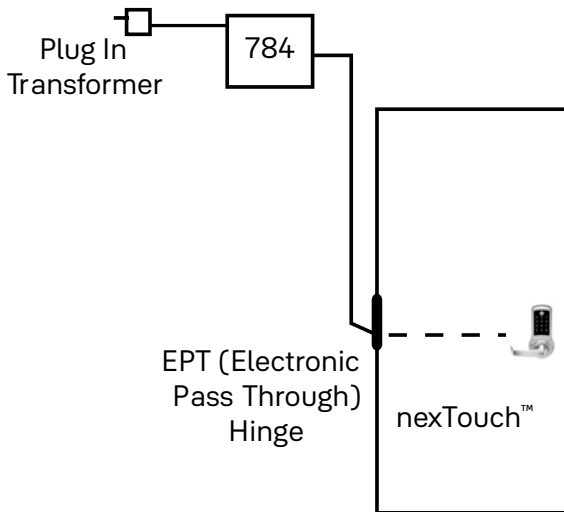
Z-Wave Module

Options and Accessories



Cylindrical

Model/Part Number	Description
784	Optional remote 9VDC power supply with plug-in wall transformer (used for hardwiring up to two nexTouch locks).
WH-28	Remote power wire harness (used for hardwiring).
14-4761-0106-025	1-3/8" thin door kit. Includes inside and outside escutcheon spacers as well as a 2-3/8" latchbolt.
14-B600-0111-999	3-wire door position sensor



Certifications and Listings



Cylindrical

ADA



The nexTouch Series lever design meets accessibility guidelines of the Americans with Disabilities Act and the requirements of the Uniform Federal Accessibility Standards and ICC/ANSI A117.1 Accessible and Usable Buildings and Facilities, all requiring ease of accessibility.

ANSI/BHMA

nexTouch cylindrical certified ANSI/BHMA A156.2, Series 4000 Grade 1.



Fire Listings



Functions are UL/cUL Fire Listed for use on fire doors having a rating up to and including 3 hours.

Note: Any retrofit or other field modification to a fire rated opening can potentially impact the fire rating of the opening, and Yale Locks & Hardware makes no representations or warranties concerning what such impact may be in any specific situation. When retrofitting any portion of an existing fire rated opening, or specifying and installing a new fire-rated opening, please consult with a code specialist or local code official (Authority Having Jurisdiction) to ensure compliance with all applicable codes and ratings.

FCC

Complies with limits for a Class B digital device, pursuant to part 15 of the FCC Rules.

ISO 14001

Designed and manufactured under a certified ISO 14001 quality system.


Sustainability

EPD and GreenCircle certification.

Warranty

nexTouch has a three year limited warranty on the mechanical and electrical components, and a one year limited warranty on the finish.

Windstorm

Certified (refer to local codes).  Hurricane

nexTouch™ Sectional Mortise



SECTIONAL MORTISE



How to Order



Sectional Mortise

Quantity	Lever Design	Series/Function	Technology	Finish	Hand*	Door Thickness	Cylinder	Strike
	AUR – Augusta MOR – Monroe	NTM612 – Sectional mortise lock, key override, pushbutton keypad, no deadbolt	NR – Keypad only, no radio	605 – Bright brass, clear coated	RH LH	1-3/4" standard, up to 2-1/4" door thickness available	2153 cylinder standard, see pages 24-26 for additional options	2815 curved lip strike standard, see page 28 for additional options
	PBR – Pacific Beach	NTM617 – Sectional mortise lock, key override, pushbutton keypad, with deadbolt	ZW2 – Z-Wave wireless communication	613E – Dark oxidized bronze - equivalent				
	ARR – Arcadia	NTM622 – Sectional mortise lock, key override, capacitive touchscreen, no deadbolt		626 – Satin chrome plated				
	CRR – Carmel	NTM627 – Sectional mortise lock, key override, capacitive touchscreen, with deadbolt		BSP – Black suede powder				
	JNR – Jefferson	NTM632 – Sectional mortise lock, no key override, pushbutton keypad, no deadbolt						
	PNR – Pinehurst	NTM637 – Sectional mortise lock, no key override, pushbutton keypad, with deadbolt						
	VIR – Virginia	NTM642 – Sectional mortise lock, no key override, capacitive touchscreen, no deadbolt						
	See page 21 for Reflections decorative lever options	NTM647 – Sectional mortise lock, no key override, capacitive touchscreen, with deadbolt						

SECTIONAL MORTISE

*Lock is field reversible

Build Your Order String

Quantity	Lever Design	Series/Function	Technology	Finish	Hand	Door Thickness	Cylinder	Strike
Example:	AUR	NTM622	NR	626	RH	1-3/4	2153	2815

Sectional Mortise

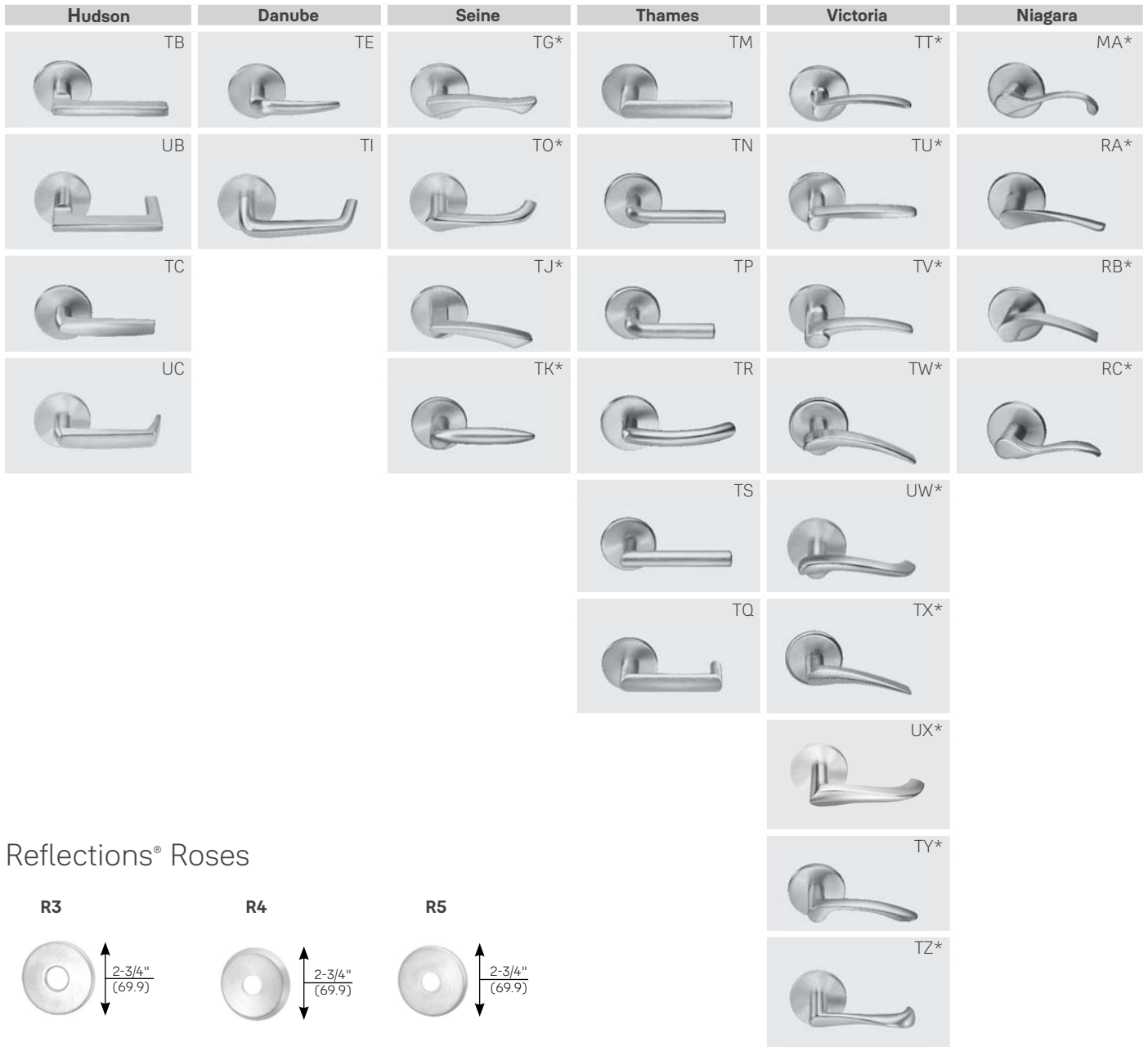
SECTIONAL MORTISE

<p>AUGUSTA AUR AU Lever Handle: Cast</p>	<p>MONROE MOR MO Lever Handle: Cast</p>	<p>PACIFIC BEACH PBR PB Lever Handle: Cast</p>
<p>ARCADIA ARR AR Lever Handle: Cast</p>	<p>CARMEL CRR CR Lever Handle: Cast</p>	<p>JEFFERSON JNR JN Lever Handle: Cast</p>
<p>PINEHURST PNR PN Lever Handle: Cast</p>	<p>VIRGINIA VIR VI Lever Handle: Cast</p>	

Reflections® Decorative Trim

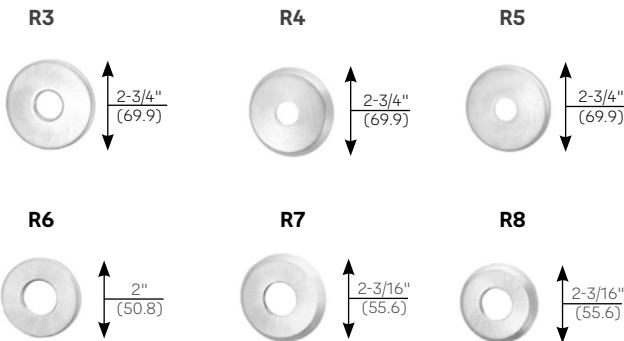


Yale nexTouch sectional mortise locks are available with Reflections lever trim, a comprehensive line of highly stylized lever handles. Reflections lever handles are made from solid brass or stainless steel and can withstand years of abuse. Available in an array of finishes, these levers complement any wood grain or other door exterior. Each lever is hand-polished and specially designed for ergonomics and style.



SECTIONAL MORTISE

Reflections® Roses



* Indicates levers that are handed.

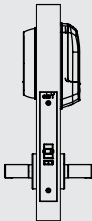
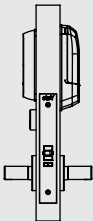
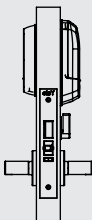
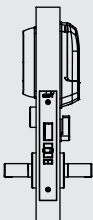


Sectional Mortise

SECTIONAL MORTISE

ANSI/BHMA Code Finish Description			
605 Bright Brass, Clear Coated	613E Dark Oxidized Satin Bronze - equivalent	626 Satin Chrome Plated	BSP Black Suede Powder Coat
			

Sectional Mortise

NTM632 Pushbutton NTM642 Touchscreen	NTM612 Pushbutton NTM622 Touchscreen
<p>No Deadbolt Without Cylinder Override</p> <ul style="list-style-type: none"> • For doors that do not require mechanical key override. • Latchbolt retracted by lever either side, except when outside lever is locked • Deadlocking latchbolt.  <p style="text-align: center;">Outside Inside</p>	<p>No Deadbolt With Cylinder Override</p> <ul style="list-style-type: none"> • For doors that require mechanical key override. • Latchbolt retracted by lever either side, except when outside lever is locked. • When outside lever is locked, latchbolt is operated by key outside. • Deadlocking latchbolt.  <p style="text-align: center;">Outside Inside</p>
NTM637 Pushbutton NTM647 Touchscreen	NTM617 Pushbutton NTM627 Touchscreen
<p>Deadbolt without cylinder override</p> <ul style="list-style-type: none"> • Latchbolt retracted by lever either side, except when outside lever is locked. • Deadbolt operated by thumbturn inside. • When deadbolt is projected, lever is automatically locked. • Anti-panic operation. Operating inside lever automatically retracts latch bolt and deadbolt with outside lever remaining locked. • Deadlocking latchbolt.  <p style="text-align: center;">Outside Inside</p>	<p>Deadbolt with cylinder override</p> <ul style="list-style-type: none"> • Latchbolt retracted by lever either side, except when outside lever is locked. • Deadbolt operated by key outside, thumbturn inside. • When outside lever is locked, latchbolt and deadbolt are operated by key outside. • When deadbolt is projected, lever is automatically locked. • Anti-panic operation. Operating inside lever automatically retracts latchbolt and deadbolt with outside lever remaining locked. • Deadlocking latchbolt.  <p style="text-align: center;">Outside Inside</p>



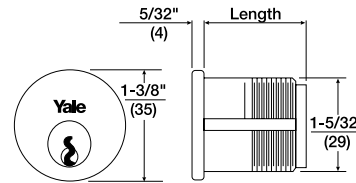
Sectional Mortise

Conventional Cylinders

SECTIONAL MORTISE

Illustration	Cylinder Model Number	Application	Cam	Length	
				6-Pin	7-Pin
	2153	Standard cylinder	2160	1-1/8" 1-1/4" 1-3/8"	1-1/4" 1-3/8" 1-1/2"
	2153S	For inside operation of 8817-2 and 8834-2 functions only	2130	1-1/2" 1-5/8" 1-3/4"	1-5/8" 1-3/4"
	2123	Cylinder for longer lengths	2160	1-7/8" thru 3-1/2" in 1/8" increments*	
	2123S	For inside operation of 8817-2 and 8834-2 functions only for longer lengths	2130		
	2719	For hotel/motel locks 8820, 8827 and 8832	2160	1-3/8"	—

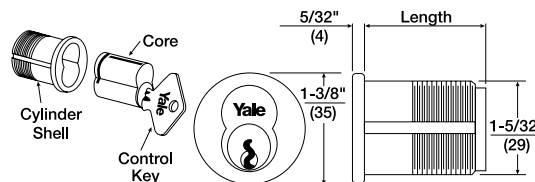
*Contact Technical Product Support for cylinder collar requirements when ordering these cylinders separately. See page 27 for other collar requirements.



Interchangeable Core Mortise Cylinders

Cylinder Model Number	Application	Cam	Length	Pins	Housing Only Model Number	Core Only Model Number
2196	Standard Cylinder	2160	1-1/2", 1-3/4", 2"	6	2221	1210
2197	Standard Cylinder	2160	1-11/16", 2"	7	2213	1220

Note: When ordering interchangeable core cylinders or cores only, control keys are not furnished. If control keys are required they must be ordered separately.



Cylinders

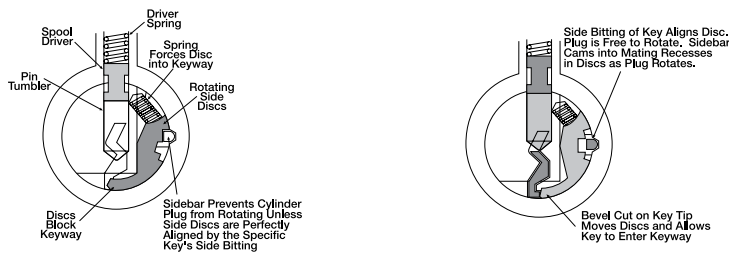
Sectional Mortise (Continued)

Security Cylinders

Security cylinders contain two independent locking mechanisms. The first is a traditional 6- or 7-pin tumbler mechanism with spool drivers for greatly increased picking resistance.

The second is an innovative 5-tumbler rotating disc mechanism with sidebar engagement. The rotating discs are spring loaded and block the bottom of the keyway.

Illustration



Security/High Security Mortise Cylinders

Model Number	Application	Cam	Length	
			6-pin	7-pin
5153/U5153	Standard Cylinder	2160	1-1/8" 1-1/4"	1-1/4"

Security Interchangeable Core Mortise Cylinders


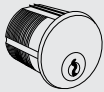
Cylinder Model Number	Application	Cam	Length	Pins	Housing Only Model Number	Core Only Model Number
5196	Standard Cylinder	2160	1-1/2"	6	2221	5210
5197	Standard Cylinder	2160	1-11/16"	7	2213	5220

Note: When ordering interchangeable core cylinders or cores only, control keys are not furnished. If control keys are required they must be ordered separately.



Sectional Mortise (Continued)

Other Manufacturers' Keyway Cylinders/Cores

Illustration	Model Number	Type	Cam	Length	Pins	Housing Only Model Number	Core Only Model Number
	A620	Small Format IC Mortise, includes Best* Keyway Core. Available keyed random, master keyed or uncombined. Specify keyway A, B, C, D, E, F, G, H, J, K, L or M.	KC1	1-1/4"	6	K660	A600
				1-3/8" 1-3/4"	6 or 7		
	2553	Fixed Core Mortise Schlage® "C" Keyway Cylinder. Available 0-bitted or keyed random.	2160	1-1/8"	6	N/A	N/A

Yale® Keymark®

For those applications requiring protected key control, Yale® KeyMark® cylinders guard against unauthorized key duplication. The Yale KeyMark Security Leg® keyway feature increases resistance against picking and impressioning and can easily retrofit into existing systems. For further details and availability, refer to the separate Yale KeyMark catalog.

Protected Keyway Mortise Cylinders

Model Number	Type	Cam	Length	Pins	Housing Only Model Number	Core Only Model Number
K100	Fixed Core Mortise	KC1	1-1/8", 1-1/4" 1-1/2", 1-3/4" 2"	6 or 7	N/A	N/A
K820	Large Format IC Mortise	KC1	1-1/2", 1-3/4" 2"	6	K860	K800
			1-11/16" 1-3/4", 2"	7		
K620	Small Format IC Mortise	KC1	1-1/4"	6	K660	K600
			1-3/8", 1-3/4"	6 or 7		
K630	Small Format IC Mortise-Tapered	KC1	1-1/4"	6	K670	K600
			1-3/8"	6 or 7		

Cylinder Collars

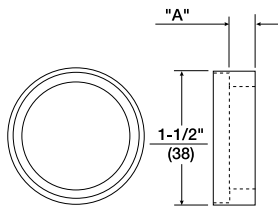


Sectional Mortise

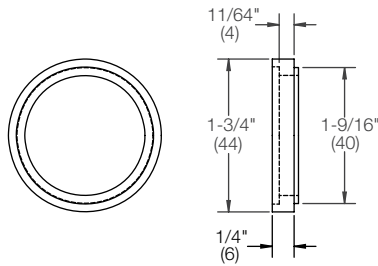
Cylinder collars are supplied as standard where required with those locksets supplied with cylinders. Collar size and thickness are supplied to suit the length of the cylinder, the thickness of the door and the trim ordered. (If door thickness is not specified, collars will be furnished for 1-3/4" (44mm) door.)

Collar length required must be specified for cylinders and/or housings ordered separately.

1765 Recessed Cylinder Collar
"A" Dimension: Thicknesses from 1/16" (2mm) to 1-15/32" (37mm) as required.
Material: Brass, Stainless Steel



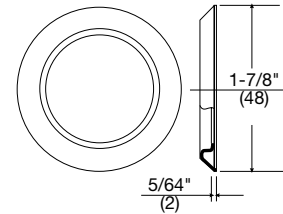
1766 Step Collar for U5109 and U5153 High Security Cylinders.
Material: Stainless Steel



KP3 Wave Washer
(Furnished standard with 1765 collar for Yale® KeyMark® cylinders only).



KP4 Flush Mount Cylinder Collar
Material: Brass, Bronze





Sectional Mortise

Yale nexTouch Keypad Sectional Mortise Locks come standard with a 2815 Curved Lip Strike with a 1-1/4" (32mm) lip length. The strike supplied will accommodate the locking function, i.e. latchbolt and/or deadbolt, and can be installed on doors 1-3/4" (44mm) thick. These strikes are non-handed.

Material: Brass, Bronze, Stainless Steel.

Longer/Shorter Lip Lengths: Mortise lock strikes are mounted 3/8" above the center line of the lock. To determine the proper length of lip use the following formula:

1/2 of the door thickness, plus 1/16" inset, plus trim thickness, plus 1/8" for flat lip strike OR 1/4" for curved lip strike. Select the nearest available length.

SECTIONAL MORTISE

2815 Curved Lip:

1-1/4" (32mm) standard

Available for special order:

1-1/8" (29mm)

1-3/8" (35mm)

1-1/2" (38mm)

1-5/8" (41mm)

1-3/4" (44mm)

1-7/8" (48mm)

2" (51mm)

2-1/8" (54mm)

2-1/4" (57mm)

2816 Flat Lip (Available for special order only):

7/8" (22mm)

1" (25mm)

1-1/8" (29mm)

1-1/4" (32mm)

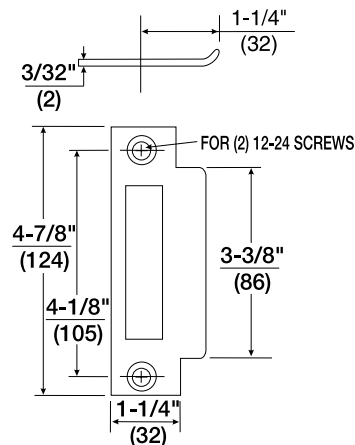
1-1/2" (38mm)

1-3/4" (44mm)

2" (51mm)

2-1/4" (57mm)

2-1/2" (64mm)

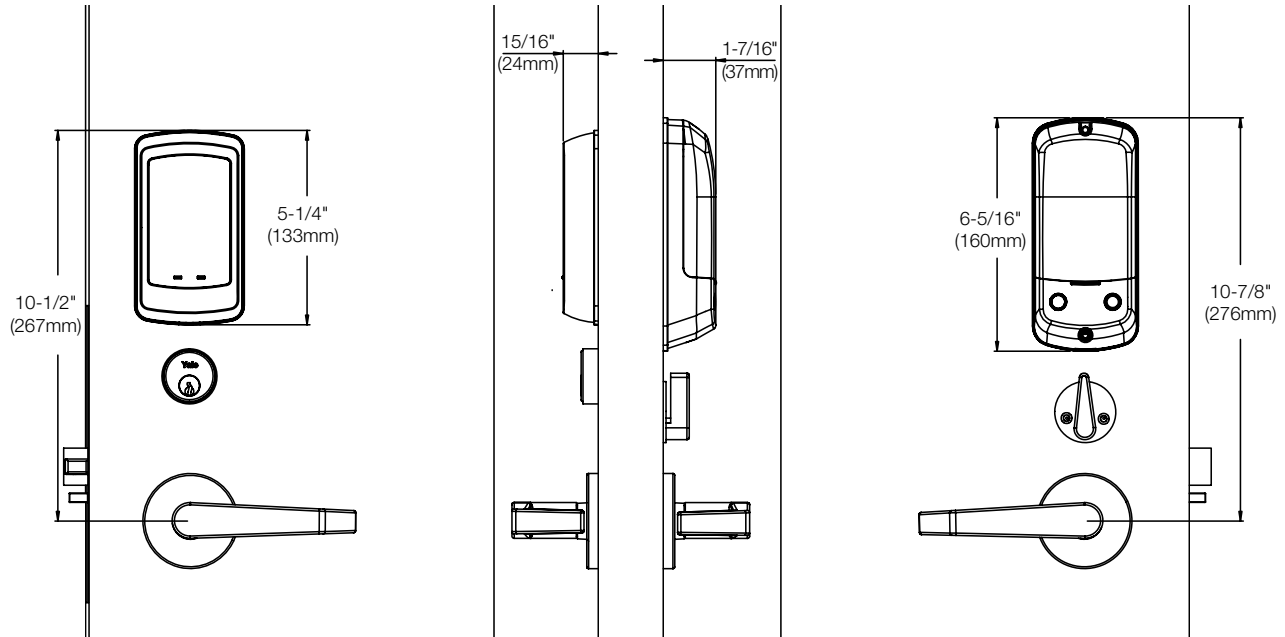


2815 Curved Lip Strike
(1-1/4"/32mm standard)

Dimensions



Sectional Mortise



Dimensions given in inches (mm).

SECTIONAL MORTISE



Sectional Mortise

NR	Keypad only, no radio
ZW2	Z-Wave wireless communication

Yale Accentra™ Data-on-Card module available only through Authorized Channel Partners. If you require another module not listed in this catalog, please contact your local ASSA ABLOY Door Security Solutions sales representative.



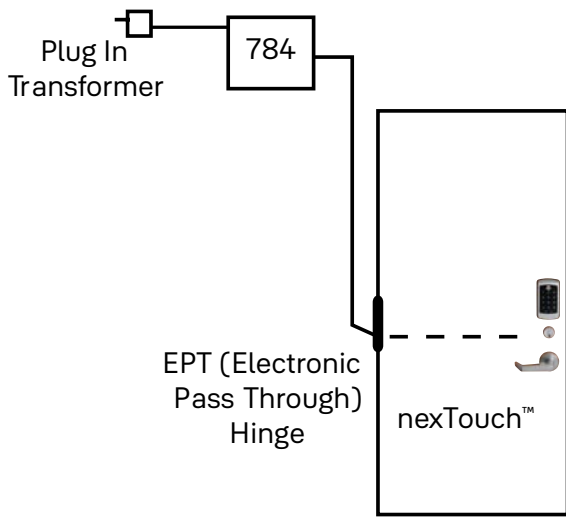
Z-Wave Module



Options and Accessories

Sectional Mortise

Model/Part Number	Description
784	Optional remote 9VDC power supply with plug-in wall transformer (used for hardwiring up to two nexTouch locks).
WH-28	Remote power wire harness (used for hardwiring).



SECTIONAL MORTISE

Scar Plate Kits (Includes 1 O/S Plate & 1 I/S Plate)

Model/Part Number	Description
50-M600-0150-033	O/S with cylinder - I/S no thumbturn
50-M600-0151-033	O/S no cylinder - I/S no thumbturn
50-M600-0152-033	O/S with cylinder - I/S with thumbturn
50-M600-0153-033	O/S no cylinder - I/S with thumbturn

Certifications and Listings



Sectional Mortise

SECTIONAL MORTISE

ADA



The nexTouch Series lever design meets accessibility guidelines of the Americans with Disabilities Act and the requirements of the Uniform Federal Accessibility Standards and ICC/ANSI A117.1 Accessible and Usable Buildings and Facilities, all requiring ease of accessibility.

ANSI/BHMA

nexTouch mortise certified ANSI/BHMA A156.13, Series 1000 Grade 1.



Fire Listings



Functions are UL/cUL Fire Listed for use on fire doors having a rating up to and including 3 hours.

Note: Any retrofit or other field modification to a fire rated opening can potentially impact the fire rating of the opening, and Yale Locks & Hardware makes no representations or warranties concerning what such impact may be in any specific situation. When retrofitting any portion of an existing fire rated opening, or specifying and installing a new fire-rated opening, please consult with a code specialist or local code official (Authority Having Jurisdiction) to ensure compliance with all applicable codes and ratings.

FCC

Complies with limits for a Class B digital device, pursuant to part 15 of the FCC Rules.

ISO 14001

Designed and manufactured under a certified ISO 14001 quality system.


Sustainability

EPD and GreenCircle certification.

Warranty

nexTouch has a three year limited warranty on the mechanical and electrical components, and a one year limited warranty on the finish.

Windstorm

Certified (refer to local codes).  Hurricane

nexTouch Exit Trim



EXIT TRIM



Exit Trim

Quantity	Lever Design	Series/Function	Technology	Finish	Advanced Functions	Cylinder/Keyway	Hand*	Door Thickness
	AU – Augusta MO – Monroe PB – Pacific Beach	NTT610 – Exit trim, key override, pushbutton keypad NTT620 – Exit trim, key override, touchscreen keypad	NR – Keypad only, no radio ZW2 – Z-Wave wireless communication	605 – Bright brass, clear coated 613E – Dark oxidized bronze - equivalent 626 – Satin chrome plated BSP – Black suede powder coat	**DPS	2153 cylinder keyed random standard, see pages 38-40 for additional options	RHR LHR	1-3/4" 2-1/4"

*Lock is field reversible.

**Use DPS option code for Advanced Functions. An Auxiliary Door Position Sensor (DPS) must be installed with the lock to enable both Escape Return and Privacy functions. If DPS is not included in the parts string, the Door Position Sensor will not be supplied with the lock. Note that selecting the DPS option code will incur an upcharge. See current price list.

Build Your Order String

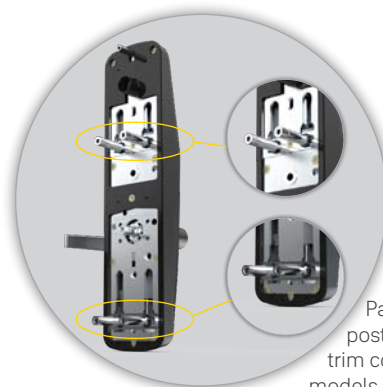
Quantity	Lever Design	Series/Function	Technology	Finish	Advanced Functions	Cylinder/Keyway	Hand	Door Thickness
Example:	AU	NTT620	NR	626		2153	RHR	1-3/4"
Example:	PB	NTT610	AW2	626	DPS	2153	LHR	1-3/4"

Compatible Exit Devices

Thanks to its patented adjustable mounting posts, Yale nexTouch exit trim is compatible with several makes and models of exit devices right out of the box, without the need for separate mounting hardware. Check the chart below to see if yours is a fit.

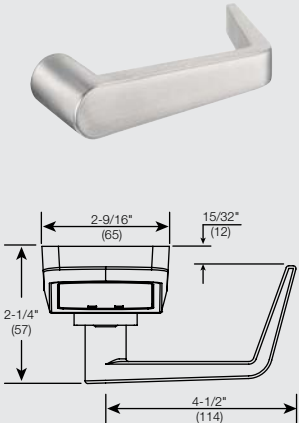
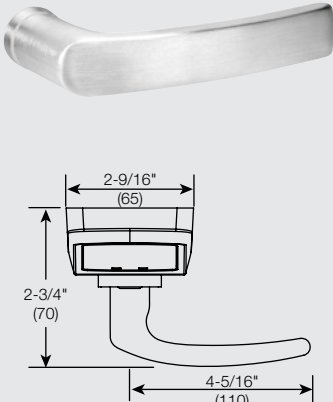
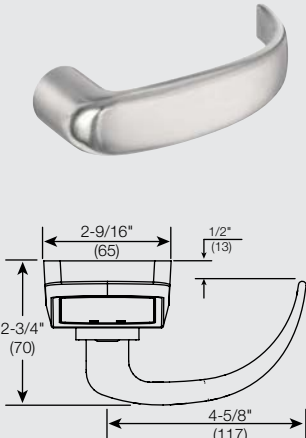
Manufacturer	Model/Series Number*
Arrow	3880, S1250
Corbin Russwin	ED5200, ED5200S
Dorma	9300
Falcon®	25
SARGENT	8800
Von Duprin®	98, 99
Yale	1800, 2100/2150, 6100/6150, 7100/7150

*Compatible with rim device only. Please contact Technical Product Support for more information.



Patented adjustable mounting posts make the nexTouch exit trim compatible with many exit device models (see chart at left).



Exit Trim

AUGUSTA AU* AU Lever Handle: Cast	MONROE MO MO Lever Handle: Cast	PACIFIC BEACH PB* PB Lever Handle: Cast
		

*Meets California State Reference Code for lever return



Exit Trim

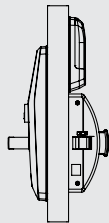
ANSI/BHMA Code Finish Description			
605 Bright Brass, Clear Coated	613E Dark Oxidized Satin Bronze - equivalent	626 Satin Chrome Plated	BSP Black Suede Powder Coat
			

Exit Trim

NTT610 Pushbutton NTT620 Touchscreen

No Deadbolt With Cylinder Override

- For doors that require mechanical key override.
- Bolt retracted by pushbar on interior and lever on outside except when outside lever is locked.
- Key override unlocks the outside lever only.
- Deadlocking rim bolt.



Outside

Inside

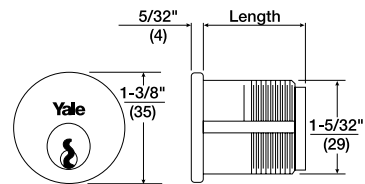


Exit Trim

Conventional Cylinders

Illustration	Cylinder Model Number	Application	Cam	Length	
				6-Pin	7-Pin
	2153	Standard cylinder	2160	1-1/8"	1-1/4"

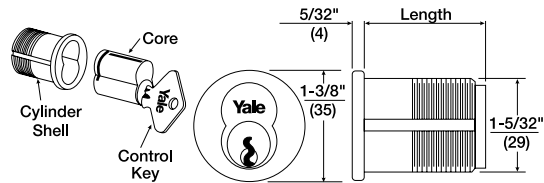
*Contact Technical Product Support for cylinder collar requirements when ordering these cylinders separately. See page 41 for other collar requirements.



Interchangeable Core Mortise Cylinders

Cylinder Model Number	Application	Cam	Length	Pins	Housing Only Model Number	Core Only Model Number
2196	Standard Cylinder	2160	1-1/2"	6	2221	1210
2197	Standard Cylinder	2160	1-11/16"	7	2213	1220

Note: When ordering interchangeable core cylinders or cores only, control keys are not furnished. If control keys are required they must be ordered separately.



Cylinders

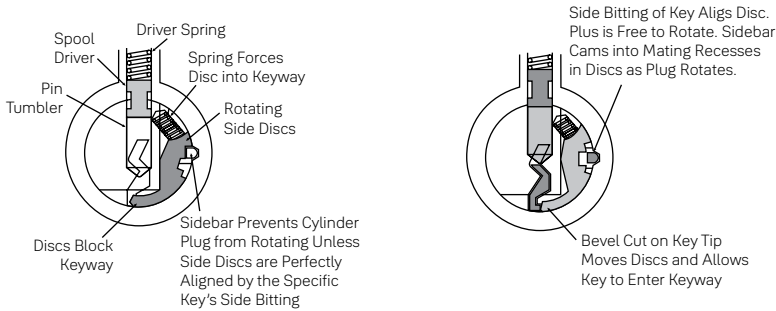
Exit Trim (Continued)

Security Cylinders

Security cylinders contain two independent locking mechanisms. The first is a traditional 6- or 7-pin tumbler mechanism with spool drivers for greatly increased picking resistance.

The second is an innovative 5-tumbler rotating disc mechanism with sidebar engagement. The rotating discs are spring loaded and block the bottom of the keyway.

Illustration



Security/High Security Mortise Cylinders

Model Number	Application	Cam	Length	
			6-pin	7-pin
5153	Standard Cylinder	2160	1-1/8" 1-1/4"	1-1/4"

Security Interchangeable Core Mortise Cylinders



Cylinder Model Number	Application	Cam	Length	Pins	Housing Only Model Number	Core Only Model Number
5196	Standard Cylinder	2160	1-1/2"	6	2221	5210
5197	Standard Cylinder	2160	1-11/16"	7	2213	5220

Note: When ordering interchangeable core cylinders or cores only, control keys are not furnished. If control keys are required they must be ordered separately.



Exit Trim (Continued)

Other Manufacturers' Keyway Cylinders/Cores

Illustration	Model Number	Type	Cam	Length	Pins	Housing Only Model Number	Core Only Model Number
	A620	Small Format IC Mortise, includes Best* Keyway Core. Available keyed random, master keyed or uncombined. Specify keyway A, B, C, D, E, F, G, H, J, K, L or M.	KC1	1-1/4"	6	K660	A600
				1-3/8"	6 or 7		
	2553	Fixed Core Mortise Schlage® "C" Keyway Cylinder. Available 0-bitted or keyed random.	2160	1-1/8"	6	N/A	N/A

Yale® Keymark®

For those applications requiring protected key control, Yale® KeyMark® cylinders guard against unauthorized key duplication. The Yale KeyMark Security Leg® keyway feature increases resistance against picking and impressioning and can easily retrofit into existing systems. For further details and availability, refer to the separate Yale KeyMark catalog.

Protected Keyway Mortise Cylinders

Model Number	Type	Cam	Length	Pins	Housing Only Model Number	Core Only Model Number
K100	Fixed Core Mortise	KC1	1-1/8"	6 or 7	N/A	N/A
K820	Large Format IC Mortise	KC1	1-1/2"	6	K860	K800
			1-11/16"	7		
K620	Small Format IC Mortise	KC1	1-1/4"	6	K660	K600
			1-3/8"	6 or 7		

Cylinder Collars



Exit Trim

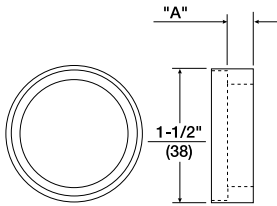
Cylinder collars are supplied as standard where required with those locksets supplied with cylinders. Collar size and thickness are supplied to suit the length of the cylinder, the thickness of the door and the trim ordered. (If door thickness is not specified, collars will be furnished for 1-3/4" (44mm) door.)

Collar length required must be specified for cylinders and/or housings ordered separately.

1765 Recessed Cylinder Collar

"A" Dimension: Thicknesses from 1/16" (2mm) to 1-15/32" (37mm) as required.

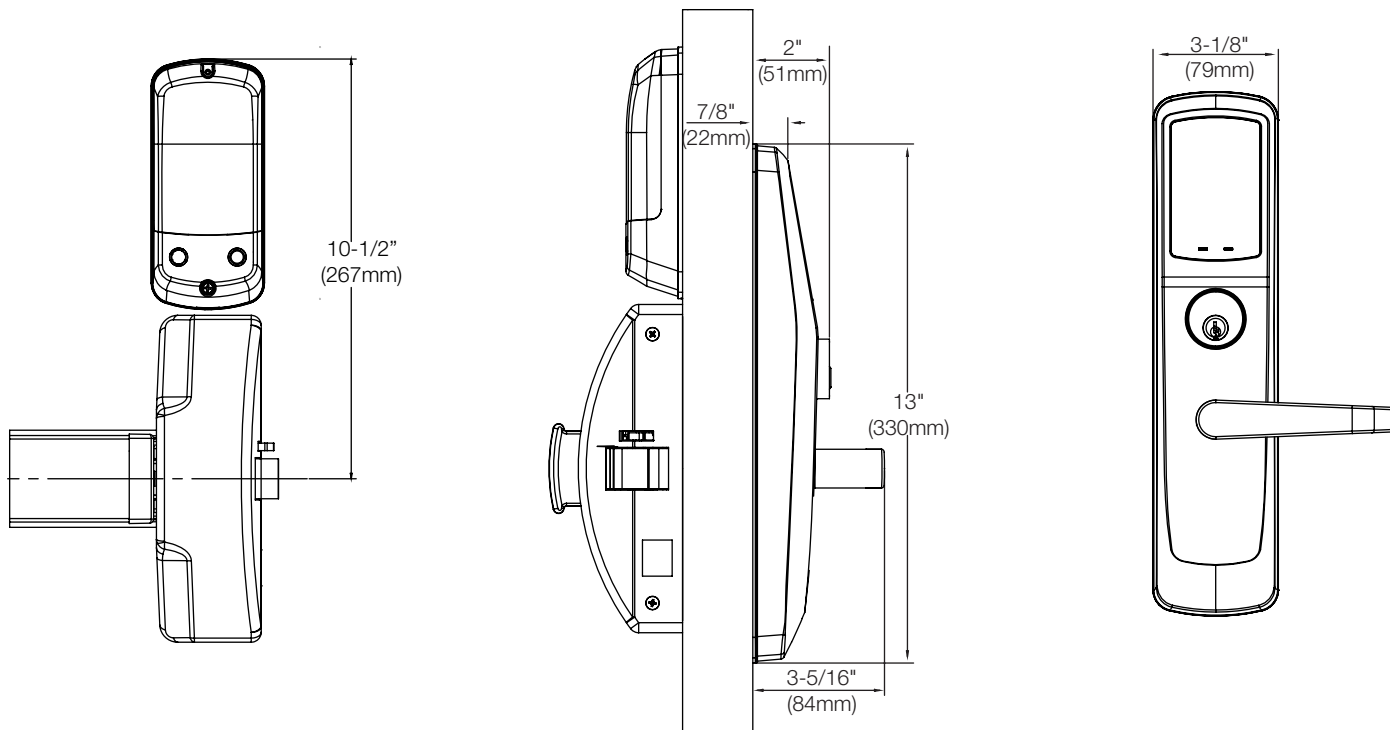
Material: Brass, Stainless Steel



Dimensions



Exit Trim



Dimensions given in inches (mm).

EXIT TRIM

Technology Options



Exit Trim

NR	Keypad only, no radio
ZW2	Z-Wave wireless communication

Yale Accentra™ Data-on-Card module available only through Authorized Channel Partners. If you require another module not listed in this catalog, please contact your local ASSA ABLOY Door Security Solutions sales representative.

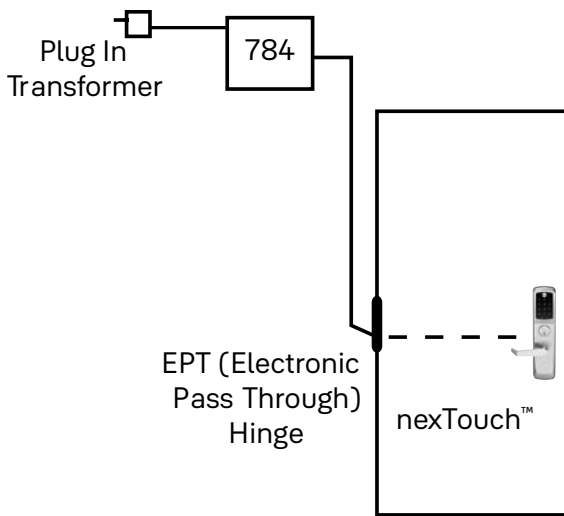


Z-Wave Module



Exit Trim

Model/Part Number	Description
784	Optional remote 9VDC power supply with plug-in wall transformer (used for hardwiring up to two nexTouch locks).
WH-28	Remote power wire harness (used for hardwiring).
14-B600-0110-999	2-wire Door Position Sensor



EXIT TRIM

Certifications and Listings



Exit Trim

ADA



The nexTouch Series lever design meets accessibility guidelines of the Americans with Disabilities Act and the requirements of the Uniform Federal Accessibility Standards and ICC/ANSI A117.1 Accessible and Usable Buildings and Facilities, all requiring ease of accessibility.

ANSI/BHMA

nexTouch exit trim certified ANSI/BHMA A156.3, Grade 1.

Fire Listings



Functions are UL/cUL Fire Listed for use on fire doors having a rating up to and including 3 hours.

Note: Any retrofit or other field modification to a fire rated opening can potentially impact the fire rating of the opening, and Yale Locks & Hardware makes no representations or warranties concerning what such impact may be in any specific situation. When retrofitting any portion of an existing fire rated opening, or specifying and installing a new fire-rated opening, please consult with a code specialist or local code official (Authority Having Jurisdiction) to ensure compliance with all applicable codes and ratings.

FCC

Complies with limits for a Class A digital device, pursuant to part 15 of the FCC Rules.

ISO 9001

Designed and manufactured under a certified ISO 9001 quality system.

Warranty

nexTouch has a three year limited warranty on the mechanical and electrical components, and a one year limited warranty on the finish.



Trusted every day

Phone

1-855-557-5078

Customer Service Email

customerservice.yale@assaabloy.com

Technical Product Support Email

techsupport.yale@assaabloy.com

Order Entry Email

orders.yaleus@assaabloy.com

Fax

1-800-338-0965

Website

www.yalecommercial.com

Contact Us

U.S.A.

Yale Locks & Hardware

Address: 225 Episcopal Road

Berlin, CT 06037-4004

Tel: 1-800-438-1951

Fax: 1-800-338-0965

yalecommercial.com

Canada:

ASSA ABLOY Door Security Solutions Canada

Address: 160 Four Valley Drive

Vaughan, Ontario L4K 4T9

Tel: 1-800-461-3007

Fax: 1-800-461-8989

assaabloydss.ca

International:

ASSA ABLOY Americas International

Tel: 1-905-821-7775

Fax: 1-905-821-1429

assaabloyai.com

THE YALE BRAND, with its unparalleled global reach and range of products, reassures more people in more countries than any other consumer locking solution.

THE ASSA ABLOY GROUP is the world's leading manufacturer and supplier of locking solutions, dedicated to satisfying end-user needs for security, safety and convenience.

Yale Commercial is a business associated with ASSA ABLOY Access and Egress Hardware Group, Inc., an ASSA ABLOY Group company. Copyright © 2016-2022, ASSA ABLOY Access and Egress Hardware Group, Inc. All rights reserved. Reproduction in whole or in part without the express written permission of ASSA ABLOY Access and Egress Hardware Group, Inc. is prohibited. Patent pending and/or patent www.assaabloydss.com/patents.