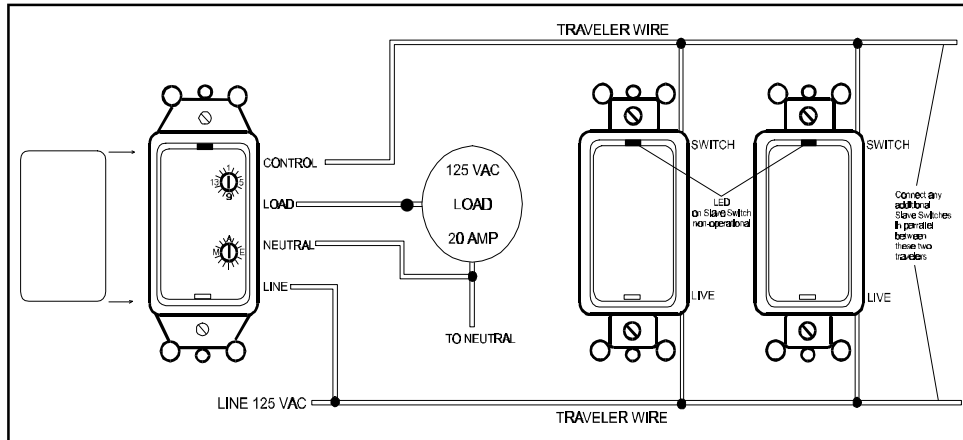


20A Wall Switch

XPS3



The XPS3 (3-way master/single pole) 20Amp Wall Switch Module is designed to control non-dimming Incandescent & Inductive ON/OFF loads such as; higher wattage outside flood lights, fluorescent lighting and small appliances. A removable decorative paddle is located on the Wall Dimmer Module for local control and an LED is used as an indicator of switch status.

Note: To use as a single pole module simply make no connection to the Control Position. The XPS3 does require the use of a Neutral Wire at the wall box.

Installing the Wall Switch Module (used as a three way)

- Disconnect power at the circuit breaker.
- Remove switch plates and unscrew existing switches from their boxes. Identify the Line, load and traveller wires at each existing switch (usually connected to a different color terminal).
- Replace one of the existing wall switches with the XPS3 20A Wall Switch Module.
- The Load connects to the "Feed-thru" Load terminals.
- The Control position from the XPS3 is connected to a traveller wire going to the Switch position on the XPSS Slave.
- 120VAC can be supplied by either the Master or the Slave position and sent over on a traveller wire to the Line position on the XPS3 and the Live position on the XPSS. In a single pole application live, Load and Neutral should be in the same box.
- Connect the Neutral wire to the module at the Neutral position

Note: The term "Feed-thru" suggests that you do not need wire nuts to make connections to the XPS3. Using the multiple position sockets, make all connections to and from switch locations using these terminals.

Setting up the Wall Switch Module

- Set the House Code dial (under the removable decorative paddle) to the same letter set on the controller or Security Console. The House Code for monitored security consoles is downloaded by the security installation firm. The default House Code is 'A', when using the PRO2000.
- For normal lighting control, set the Unit Code dial to an unused code which can be controlled from the controller or an RF remote such as the Security Remote, PSR01 (switches 1-4 control Unit Codes 1-4).
- To use as the security light, set the Unit Code to match the Unit Code of the security console. The Unit Code for monitored security consoles is downloaded by the security installation firm. The default Unit Code is '13', when using the PRO2000.

Note: The security light is the light which is flashed on/off during an alarm and is controlled by the security LIGHT ON and LIGHT OFF buttons on the PRO2000 console, keychain and security remotes)

4-Way Applications

- When creating a four-way application, simply parallel another XPSS across the same two travellers from the first Slave location. Connect wires from Switch to Switch and Live to Live, using the feed thru screw terminals.