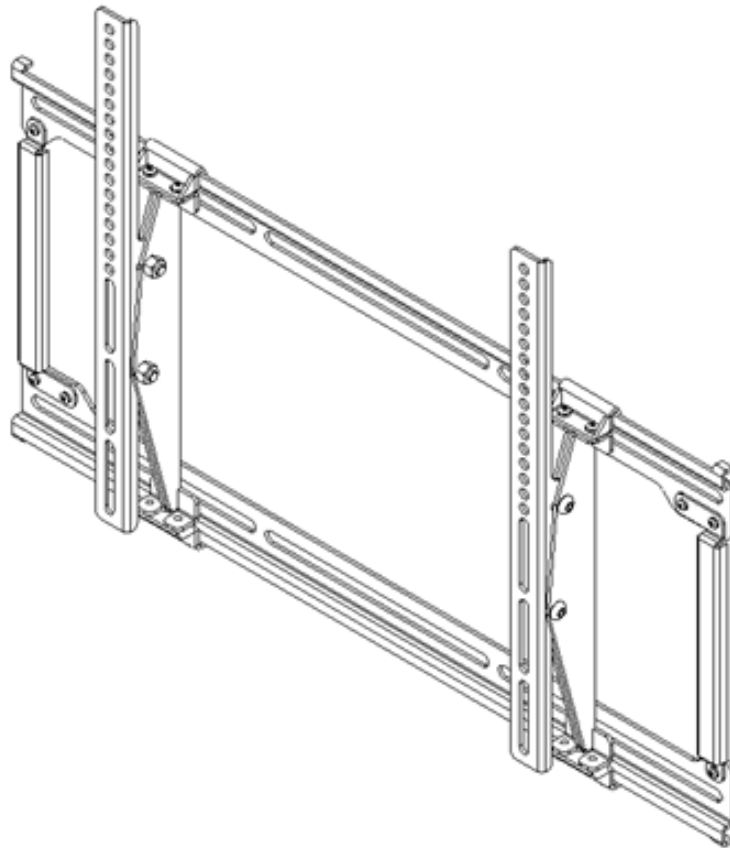


WMP

VIDEO MOUNT PRODUCTS

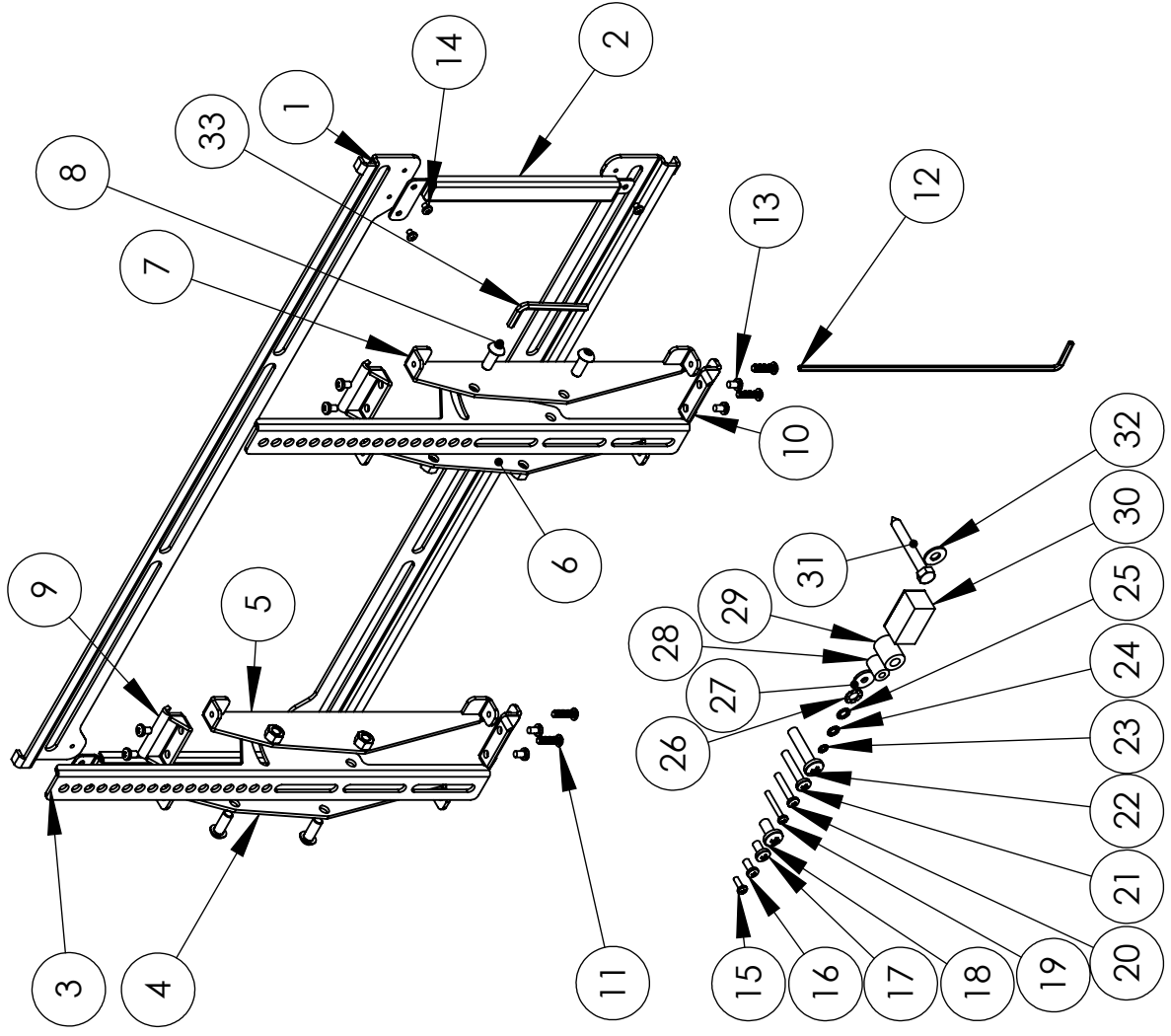
Instruction Sheet For:

FP-XMFT & FP-XMFTB

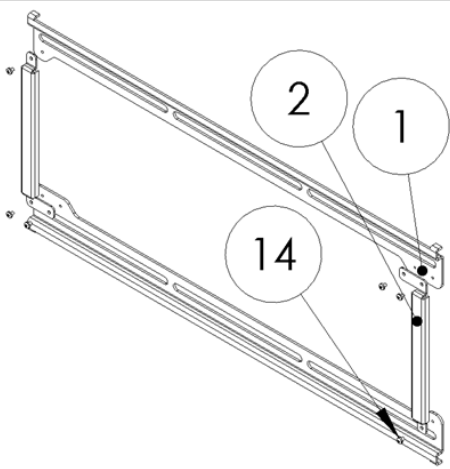


For more information, please contact us at:
345 Log Canoe Circle, Stevensville, Maryland 21666
Toll Free: 877.281.2169 Phone: 410.643.6390 Fax: 410.643.6615
www.videomount.com

FP-XMFT



ITEM NO.	DESCRIPTION	QTY.
1	Wall Plate	2
2	Vertical Support	2
3	Tilt Bracket	2
4	Side Wall A	1
5	Side Wall B	1
6	Side Wall C	1
7	Side Wall D	1
8	Socket Screw M8*P1.25*L20	4
9	Top Lip	2
10	Bottom Lip	2
11	Security Screw M5*P0.8*L20	4
12	Long Allen Key M4	1
13	Cross Screw M5*P0.8*L8	8
14	Cross Screw M4*P0.7*L5	6
15	Cross Screw M4*P0.7*L12	4
16	Cross Screw M5*P0.8*L12	4
17	Cross Screw M6*P1.0*L12	4
18	Cross Screw M8*P1.25*L16.5	4
19	Cross Screw M4*P0.7*L30	4
20	Cross Screw M5*P0.8*L30	4
21	Cross Screw M6*P1.0*L35	4
22	Cross Screw M8*P1.25*L40	4
23	Lock Washer M4	4
24	Lock Washer M5	4
25	Lock Washer M6	4
26	Lock Washer M8	4
27	Washer ϕ 5.5* ϕ 18*T2.0	4
28	Spacer M6	4
29	Spacer M8	4
30	Magnetic Level	1
31	Lag Screw 5/16"*2.5"	4
32	Washer ϕ 8.3* ϕ 19*T1.6	4
33	M5 Allen Key	1



Step 2: Assembling the wall plate

Step 1

Before starting, lay out all parts to your mount and match them to the parts list provided. Verify that you have all your parts before attempting to assemble the mount.

Step 2

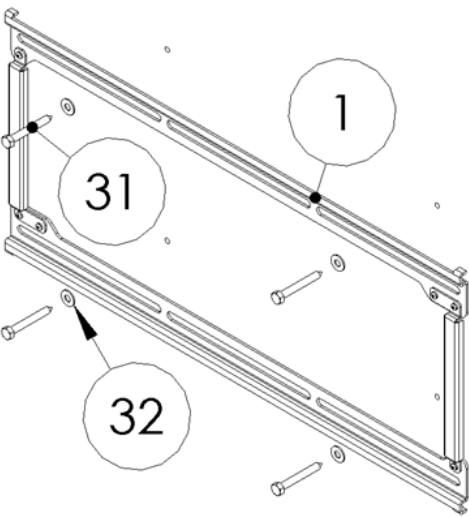
Assemble the wall plate by attaching the two horizontal wall plates (1) using the vertical supports (2) and short M4 screws (14). You can identify the difference between the top and bottom rail by the fact that the top rail is the one with the stopper flaps on either end.

Step 3

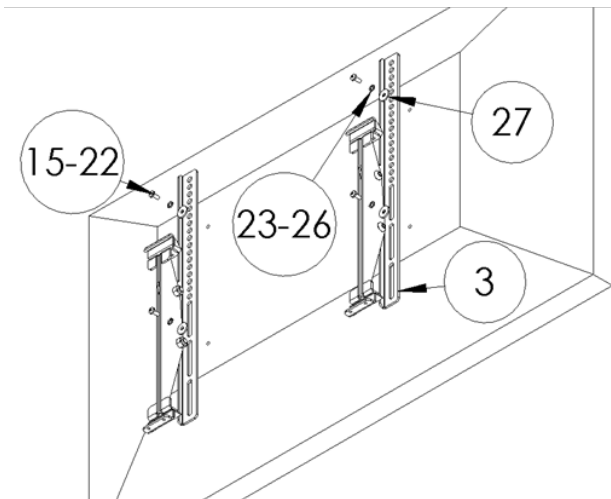
Mark the wall or desired mounting surface in preparation of installation of wall plate assembly (1) and (2). If mounting to wooden studs, pre drill pilot holes using a 7/32" drill bit. Attach the wall plate assembly (1) and (2) to the wooden stud using the 5/16" by 2.5" long lag screw (31) and washer (32) making sure the folded tabs on the wall plate assembly are towards the top. **WARNING: Please verify that your mounting surface will support the combined weight of your mount, mounting hardware, and flat panel. Also verify that the mounting surface is safe to drill through. Please note only mounting hardware for mounting to wooden studs will be provided with the unit. If mounting to a surface other than wooden studs then other hardware will be required. If in doubt or uncertain about any of the above, please contact a professional installer.**

Step 4

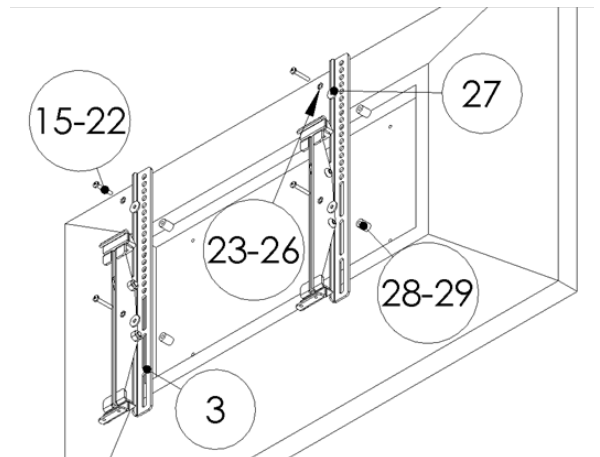
Determine the correct screw size and if you need to use washers, lock washers, or spacers. Note: Spacers are used for TVs with recessed hole patterns. Secure the display to the tilt bracket (3) using the appropriate hardware (15) through (29). Note: The brackets have to be level with each other to work properly.



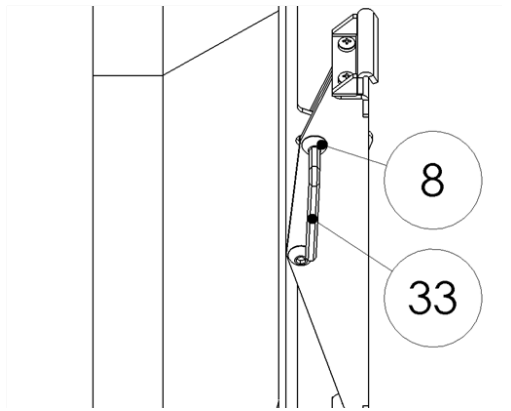
Step 3: Mounting the wall plate



Step 4A: Attaching the tilt brackets to the screen (spacers not needed)



Step 4B: Attaching the tilt brackets to the screen (spacers used due to recessed hole pattern)



Step 5: Tightening the tilt mechanism

Step 5

Adjust the tilt tension by tightening the socket head screws (8) with the M5 Allen Key (33) so they are fairly tight. **Note: You may have to adjust the tilt tension once the flat screen is on the wall so do not tighten as hard as you can because it will make further adjustment on the wall much more difficult.**

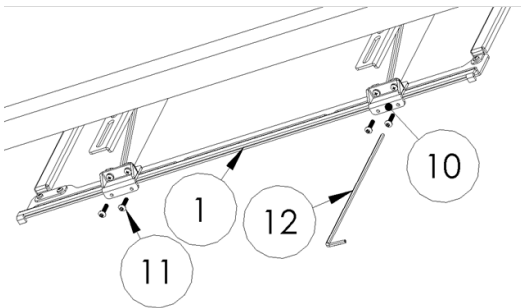
Step 6

Use the hooks on the top lip (9) to hook on the top rail of the wall plate (1). Tighten the M5 screws (11) in the bottom lip (10) to secure the TVs to the wall plate (1) and to secure its horizontal position.

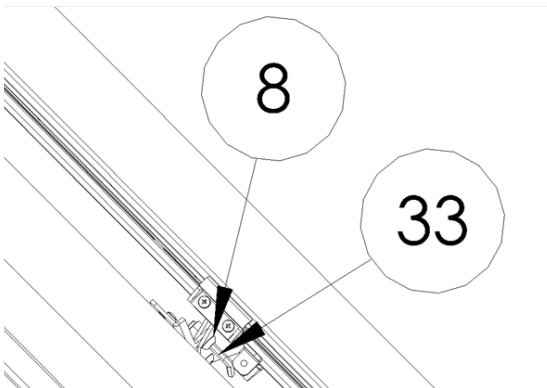
Step 7

If you need to adjust the tilt tension simply tilt down the flat screen as far as it will go. **Note: This is done to give you room to work with behind the flat screen.** Take the M5 Allen Key (33) and tighten down the socket screws (8) until you have achieved the desired tilt tension and readjust the tilt to the desired angle.

Please verify that all nuts and screws are securely tightened.



Step 6: Securing the tilt brackets to the wall plate



Step 7: Adjusting the tilt tension after placing the screen on the wall

WMP
VIDEO MOUNT PRODUCTS

Enjoy Your Mount!

WARNING: The installer of these products must verify that the mount surface, ceiling or wall, will safely support the combined weight of all attached equipment and hardware. Video Mount Products will not be held liable for the improper use or installation of its products