

# ER-W24

Swing Gate Wall Rack - 24" Height

## Product Features:

13 rack spaces / Usable depth - 19"

Opens from either the left or the right side

Fixed wall plate allows easy installation and removal of populated rack

Innovative lift on/off design allows for one man install

Standard 10-32 threading / EIA compliant

Steel and aluminum construction

Load capacity – 100 lbs evenly distributed

Black static resistant powder coat finish

## Product Specifications:

*(for Architects & Engineers)*

The wall mounted equipment rack shall be the Video Mount Products (VMP) ER-W24. The rack shall be capable of mounting to studs with 16" centers or other suitable mounting surfaces. The rack shall be capable of accommodating standard 19" racking equipment. The rack rails shall be tapped with 10-32 holes in universal EIA spacing. The rack shall have 13 rack spaces and include 32 rack screws. The rack shall be a swing gate style which will be capable of swinging with a left or right pivot. The rack shall be constructed of steel and aluminum and have a load capacity of 100 lbs.

## Video Mount Products

345 Log Canoe Circle

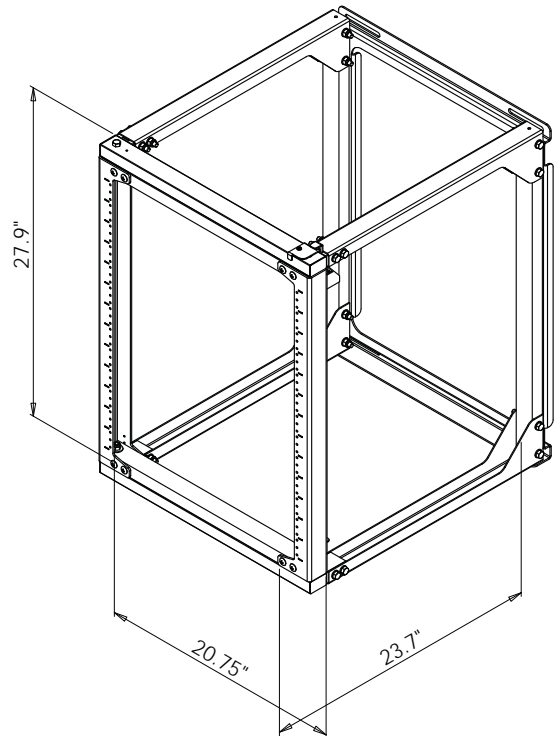
Stevensville, MD 21666

Toll Free: 877.281.2169

Telephone: 410.643.6390

Facsimile: 410.643.6615

[www.videomount.com](http://www.videomount.com)



**VMP**  
VIDEO MOUNT PRODUCTS