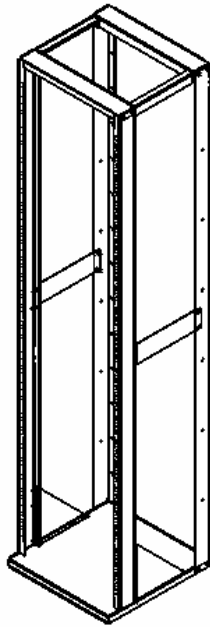


# VMP

## VIDEO MOUNT PRODUCTS

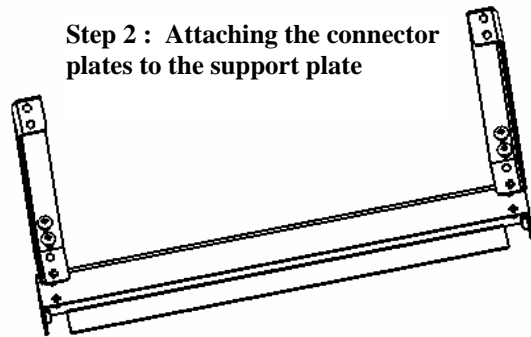
325 Log Canoe Circle • Stevensville MD 21666 • [www.videomount.com](http://www.videomount.com)  
Phone: 410.643.6390 • Fax: 410.643.6615

### ER-184-4PKIT



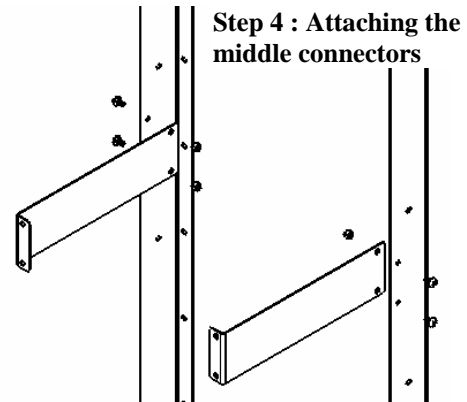
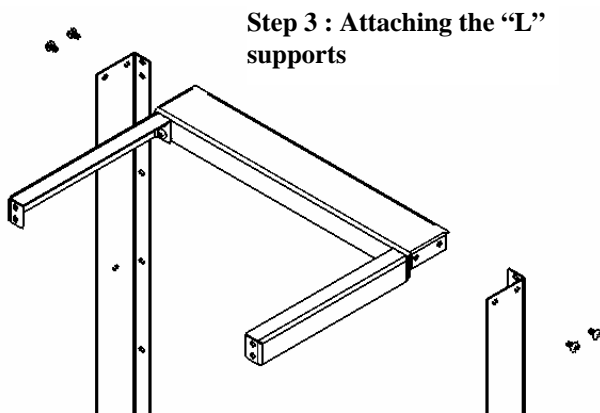
**Warning:** *The installer of this rack must verify that the equipments place within does not exceed the load rating for the said rack. Video Mount Products will not be held liable for the improper use or installation of its products.*

1. Before starting lay out all parts to your mount and match them to the parts list provided. Verify that you have all your parts before attempting to assemble the mount. Also before attempting to assembly the ER-184-4PKIT you should have already assembled the ER-184.



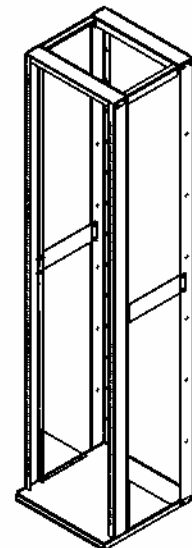
2. First attach the connector plates (#10) to the support plate A (#4A) using the 1/4" – 20UNC screws (#7).

3. Next you should connect the support plate A (#4A) to the left and right "L" supports (#2A and #2B). *Note: To do this properly you first attach plate by lining up the rearmost hole and inserting the screw (#7). Once you have done this you will need to grab the support plate and slightly twist it until the foremost holes line up with the holes in the "L" supports.*



4. Attach the middle connector plates (#11) to the left and right "L" supports (#2A and #2B) using the 1/4"- 20 screws and nuts (#7 and #8).

5. Now you should connect the ER-184-4PKIT to the ER-184 by first removing the four screws on the rear of the support plate (#4B). Now using those plus the remaining 1/4" – 20 screws and nuts (#7 and #8) attach the ER-184-4PKIT to the ER-184 by attaching the connector plates (#10) to the support plate (#4B), the middle connector plates (#11) to the left and right supports (#1A and #1B), and the left and right "L" supports (#2A and #2B) to the back of the base plate (#3).



*Enjoy your rack!*