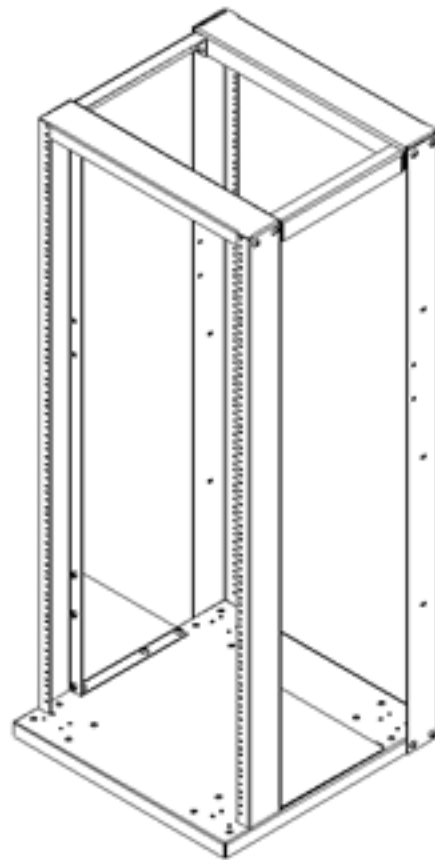


WMP

VIDEO MOUNT PRODUCTS

Instruction Sheet For:

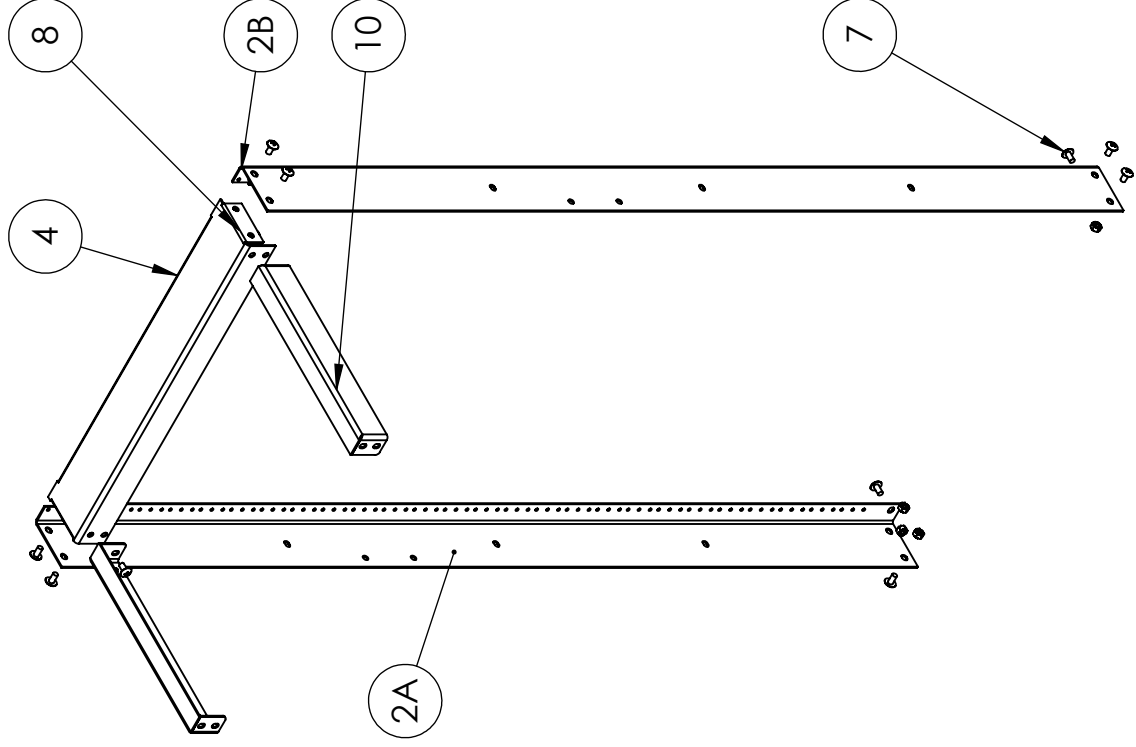
ER-148-4PKIT

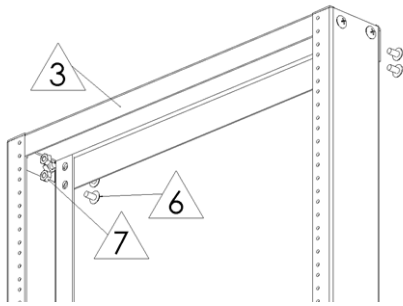


For more information, please contact us at:
345 Log Canoe Circle, Stevensville, Maryland 21666
Toll Free: 877.281.2169 Phone: 410.643.6390 Fax: 410.643.6615
www.videomount.com

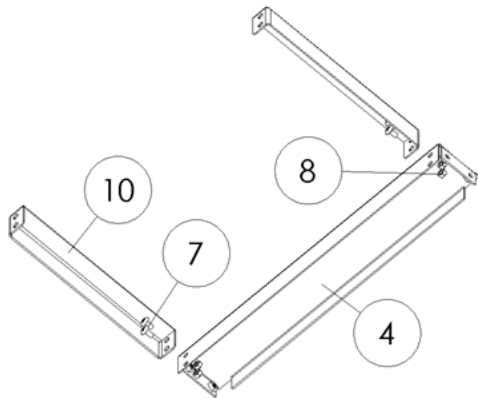
ER-1 48-4PKIT

ITEM NO.	DESCRIPTION	QTY.
2A	Left Support "L"	1
2B	Right Support "L"	1
4	Support Plate	1
7	Screw 1/4"-20UNC*L1/2"	14
8	Hex Nut 1/4"-20UNC	10
10	Connector Plate	2

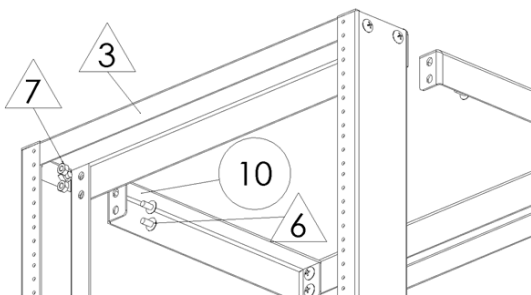




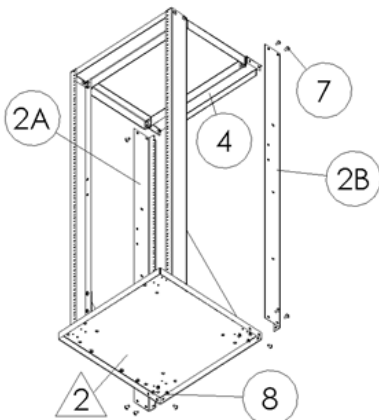
Step 2: Removing screws from support plate



Step 3: Attaching the connector plates to the support plate



Step 4: Attaching the connector plates to the ER-148



Step 5: Attaching the rear support rails

Step 1

Before starting lay out all parts to your mount and match them to the parts list provided. Verify that you have all your parts before attempting to assemble the mount. Also before attempting to assemble the ER-148-4PKIT you should have already assembled the ER-148. **Note: ER-148-4PKIT part numbers are in circles and ER-148 part numbers are in triangles.**

Step 2

Remove the 1/4" – 20UNC screws $\triangle 6$ ER-148 and nuts $\triangle 7$ ER-148 from the Support Plate $\triangle 3$ ER-148.

Step 3

Attach the two Connector Plates $\circ 10$ ER-148-4PKIT to the Support Plate $\circ 4$ ER-148-4PKIT using the 1/4" – 20UNC screws $\circ 7$ ER-148-4PKIT and nuts $\circ 8$ ER-148-4PKIT.

Step 4

Attach the other end of the Connector Plate $\circ 10$ ER-148-4PKIT to the Support Plate $\triangle 3$ ER-148 using the screws $\triangle 6$ ER-148 and nuts $\triangle 7$ ER-148 removed in step 2.

Step 5

Attach the Left Support "L" $\circ 2A$ ER-148-4PKIT and Right Support "L" $\circ 2B$ ER-148-4PKIT to the Support Plate $\circ 4$ ER-148-4PKIT and Base $\triangle 2$ ER-148 using the 1/4" – 20UNC screws $\circ 7$ ER-148-4PKIT and nuts $\circ 8$ ER-148-4PKIT. Note: It is easier to attach the "L" Supports if you have all the screws lightly secured until all screws are in place and then tighten them down.

Please verify that all nuts and screws are securely tightened.



Enjoy Your Mount!

WARNING: The installer of these products must verify that the mount surface, ceiling or wall, will safely support the combined weight of all attached equipment and hardware. Video Mount Products will not be held liable for the improper use or installation of its products.