

DVR-LB3

Low Profile DVR / Storage Lockbox

Product Features:

Interior dimensions 17.2" W x 21" D x 5" H

Rack mountable on 2 or 4 posts with a 3 RU overall height

Multiple vents with vent blockers for active or passive thermal management

Single fan included with a mounting location for a second fan

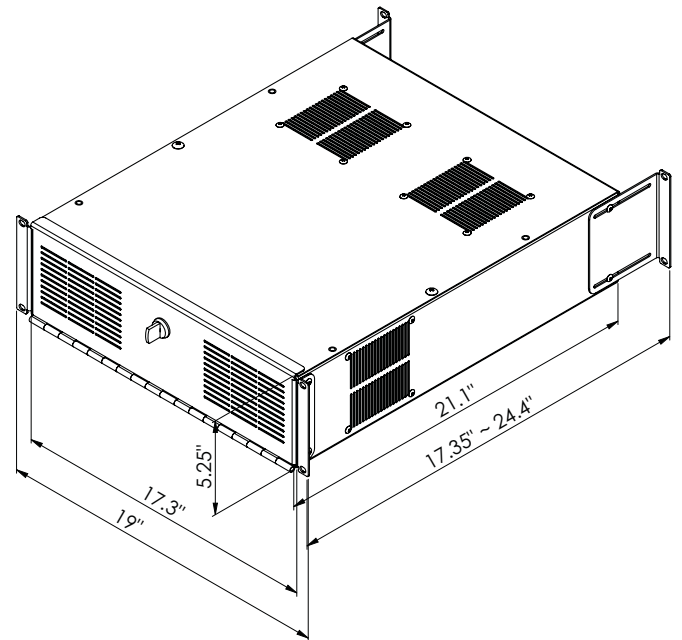
Interlocking lift off lid / Key locked hinged front door

Black static resistant powder coat finish

Product Specifications:

(for Architects & Engineers)

The low profile rack mountable DVR lockbox shall be the Video Mount Products (VMP) part number DVR-LB3. The lockbox shall be made primarily of formed steel and incorporate riveted studs and arc welds in its construction. The lockbox shall be rack mountable to two or four post equipment racks. The rear post mounting ears shall be adjustable to fit equipment racks ranging in depth from 17.375" to 24" in depth. The lockbox shall include a fan and have a mounting location for a second fan if desired. The lockbox shall have multiple vents with removable vent blockers for both active and passive thermal management. The lockbox shall include a key locked front door with an interlocking lift off lid. The lockbox shall have interior dimensions of 17.2" W x 21" D x 5" H. The lockbox shall have a black static resistant powder coat finish.



Video Mount Products

345 Log Canoe Circle

Stevensville, MD 21666

Toll Free: 877.281.2169

Telephone: 410.643.6390

Facsimile: 410.643.6615

www.videomount.com

VMP
VIDEO MOUNT PRODUCTS