



**Safety Technology
International**

Stopper II® SERIES



**ADA
Compliant**

- Can be used as a guard against physical damage to manual pull station, with or without optional warning horn.
- Optional horn has choice of 95 dB or 105 dB (measured at 1 foot).
- Standard red units have "In Case of Fire..." label unless specified with "no label" or "custom label" (extra charge for custom label).
- Typical working properties of polycarbonate are -40° to 250°F (-40° to 121°C).
- Three year guarantee against breakage of polycarbonate housing in normal use (one year on electro mechanical and electronic components).
- Weather Stopper models provide a raintight seal to the NEMA 3R standard. (IPX4 equivalency)

Photo is a generic representation to reflect the many manufacturers of manual pull stations.

We protect the things that protect you.®

UL Listed Models Included on this Install Sheet

Indoor Use:

- STI-1100** With horn for flush mounted appliances
- STI-1100RC** With horn for flush mounted appliances includes relay contacts capable of operating from 9-24 VDC remote power or internal 9V battery power
- STI-1130** With horn and 2" conduit spacer for surface mounted appliances and electrical boxes
- STI-1130RC** Surface mounted version of the 1100RC includes 2" conduit spacer
- STI-1200** Without horn for flush mounted appliances
- STI-1230** Without horn, with 2" conduit spacer for surface mounted appliances and electrical boxes

Indoor/Outdoor Use (Weather Stopper Models)

All outdoor units include necessary gaskets.

- STI-1150** With horn for flush mounted appliances
- STI-1150RC** With horn for flush mounted appliances includes relay contacts capable of operating from 9-24 VDC remote power or internal 9V battery power also includes weather gasket
- STI-1155** Surface mounted version of the STI-1150 includes 2" conduit spacer
- STI-1155RC** Surface mounted version of the STI-1150RC includes 2" conduit spacer
- STI-1250** Without horn for flush mounted appliances
- STI-3150** Without horn with 2" conduit spacer for surface mounted appliances and electrical boxes
- STI-1102** Replacement horn for cover with alarm
- Custom-LBL** Custom text message for horn housing

Testing Approvals

It has been tested and approved or listed by:

- UL/cUL Listed
- Certified ADA Compliant
- Weather Stopper models provide a raintight seal similar to NEMA 3R when mounted on smooth flat surface.
- MEA 49-00-E (STI-1200)
- Obtain local fire marshal approval for State of California

Specifications

Polycarbonate Enclosure

- Flammability UL94 V-2
- Wall Thickness .095 inches
- NEMA Rating Meets NEMA 3R when mounted to smooth non-masonry surfaces

⚠ WARNING: This product can expose you to chemicals including Dichloromethane, which is known to the State of California to cause cancer, and Bisphenol A (BPA), which is known to the State of California to cause birth defects or other reproductive harm.

For more information go to www.P65Warnings.ca.gov.

Gaskets

- Closed Cell IV2 with pressure sensitive adhesive
- Replace after 5 years

Horn

- | | 9V | 12V | 24V |
|-------------------------|-----------|------------|------------|
| • Low (95 dB @ 1 ft.) | 96mA | 107mA | 125mA |
| • High (105 dB @ 1 ft.) | 130mA | 145mA | 182mA |
| • Min. Operating Req. | 2V @ 20mA | 4V @ 20mA | 4V @ 20mA |

Relay

- | | 9V | 12V | 24V |
|--------------------------------------|-----------|------------|------------|
| • Relay | 23mA | 25mA | 29mA |
| • Min. Activation Voltage | 3.7V | 5.8V | 5.8V |
| • Reset Voltage | 1.5V | 3.3V | 3.3V |
| • Dry Contact Rating (type Form "C") | <30V, 1A | <30V, 1A | <30V, 1A |

Specifications (continued)

Temperature Range

- -40° to 120°F (-40° to 49°C)
- For temperatures below -4°F (-20°C) recommend using remote power source

Warranty

- Three year guarantee against breakage of polycarbonate housing in normal use (one year on electro mechanical and electronic components).
- Electronic warranty form at www.sti-usa.com/wc14.

Important Notice

Stopper II is intended to be used in areas where the incidence of false fire alarms from manual pull stations is high or has proven to be a serious problem. Any disadvantage of this device is more than balanced when one considers the consequences of false fire alarms, especially if fire service personnel and equipment are responding to a false fire alarm when they are needed for a real fire somewhere else. Add to this the disruption to the facility when false alarms occur. If you have, or may have, a problem with false fire alarms or physical/ weather damage to your fire alarm activation devices, the Stopper II could prove invaluable.

Avis important

Le Stopper II est destiné à être utilisé dans les zones où l'occurrence de fausses alertes d'incendie issues d'avertisseurs d'incendie manuels est élevée ou présente un problème grave. Un quelconque inconvénient de ce dispositif est vite contrecarré par les conséquences des fausses alertes d'incendie, surtout lorsque le personnel et l'équipement des services d'incendie réagissent à une fausse alerte d'incendie alors que leur intervention ailleurs sur un vrai incendie s'avère nécessaire en même temps. À cela s'ajoute l'agitation éprouvée dans l'établissement au moment du déclenchement d'une fausse alerte. Si vous rencontrez, ou risquez de rencontrer, un problème avec les fausses alertes d'incendie ou avec l'éventuel endommagement par effet climatique ou physique de vos dispositifs de déclenchement des alertes d'incendie, le Stopper II pourra alors se révéler d'une valeur inestimable.

Installation Notes

1. When used outdoors, the manual pull station must also be rated for outdoor use.
2. The relay contacts on Model STI-1100RC, STI-1130RC, STI-1150RC and STI-1155RC, UL Listing does not permit connection to fire alarm or a life safety function.
3. According to UL Listing, models powered from an external power source cannot be supplied from the fire alarm panel.
4. When properly installed the operation of this cover will not interfere with the function of your life safety system.
5. A backplate and gaskets must be used to achieve NEMA 3R integrity.
6. Horn must be tested annually for proper operation. Battery replacement is recommended annually dependent on use and battery expiration date.
7. If mounting to an uneven surface STI recommends the use of the STI-1280 backplate to ensure proper sealing. If wire access or screw mounting holes are needed, backplate may be drilled as necessary.

Remarques sur l'installation

1. L'avertisseur d'incendie manuel doit être homologué pour une utilisation à l'extérieur en cas de recours à une telle utilisation.
2. L'homologation UL des contacts de relais sur les modèles STI-1100RC, STI-1130RC, STI-1150RC et STI-1155RC n'autorise pas leur connexion à une fonction d'alerte d'incendie ou de sécurité des personnes.
3. Selon l'homologation UL, les modèles alimentés par une source électrique externe ne peuvent pas être intégrés au panneau d'alerte d'incendie.
4. Lorsqu'il est correctement installé, le fonctionnement de ce couvercle ne provoquera aucune interférence avec le fonctionnement de votre système de sécurité des personnes.
5. Un palastre et des joints d'étanchéité doivent être utilisés pour atteindre l'intégrité NEMA 3R.
6. L'alarme sonore doit être testée annuellement pour confirmer son bon fonctionnement. Il est recommandé de remplacer la pile chaque année et ce en fonction du taux d'utilisation et de la validité de la pile.
7. Dans le cas d'un montage sur une surface irrégulière, STI recommande l'utilisation du palastre STI-1280 pour garantir une étanchéité adéquate contre la surface de montage. S'il est nécessaire d'accéder aux fils ou aux trous des vis de montage, le palastre peut être percé tel que requis.

Installation Instructions

1. The power switch is in the "OFF" position (Fig. 5). Using frame or optional STI-1280 backplate (recommended with all Weather Stopper® models) as a template, mark mounting holes on wall taking into consideration placement of pull station or refer to Fig. 1 for dimensional hole placement from center of clear opening. **NOTE:** Be sure cover will not interfere with operation of the pull station when installed.

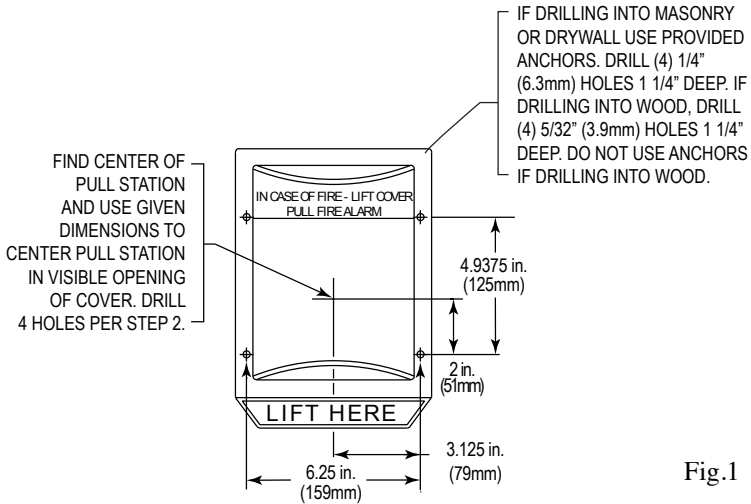


Fig. 1

2. If using STI-1280 backplate, refer to Fig. 2 and 3 for install instructions depending on your application. **NOTE:** When drilling hole in backplate NEMA 3R integrity is compromised. Weather Stopper, STI-1250, is designed to meet the requirements of IP54.

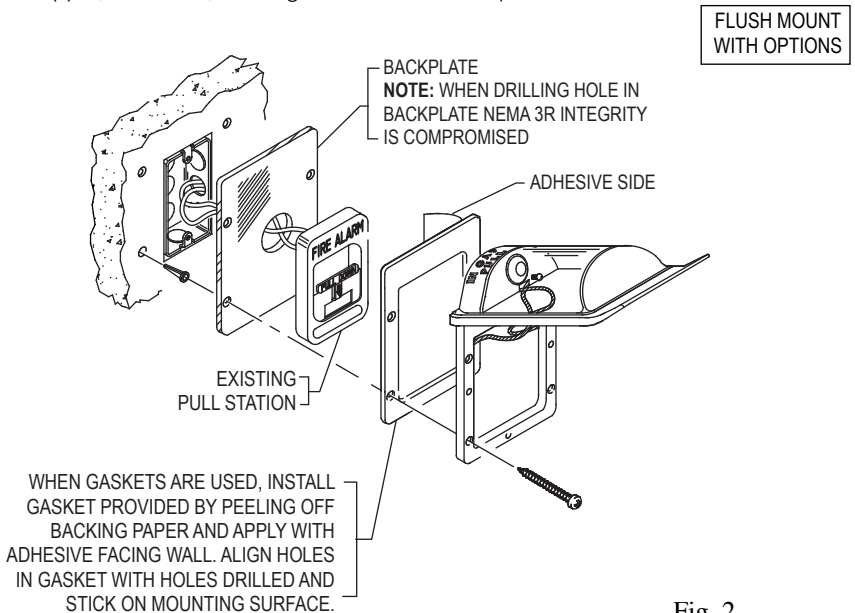
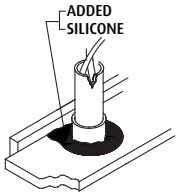


Fig. 2

3. Align frame and put screws through frame holes, into anchors and tighten (if used, through spacer, gaskets and optional backplate). For STI-1200, continue to Step 8. **NOTE:** When using STI-3100 spacer, be sure to install conduit knockout, any additional ventilation and gaskets before you tighten to the wall. When using conduit gasket STI-3004, place gasket around conduit in proper location and install the spacer. For added protection a bead of silicone may be applied to conduit fitting and between STI-1280 backplate and wall (Fig. 3A). Refer to exploded view of flush and surface mount installation options Fig. 2 and 3. Weather Stopper, STI-3150, IP equivalency may vary depending on selection of conduit inserts used.



SURFACE MOUNT
WITH OPTIONS

Fig. 3A

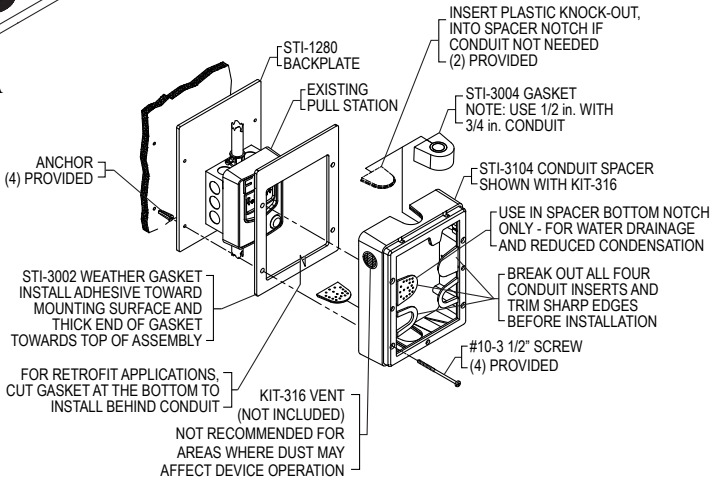


Fig. 3

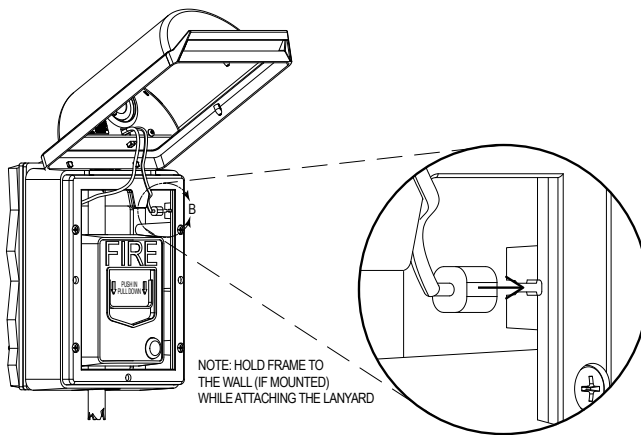
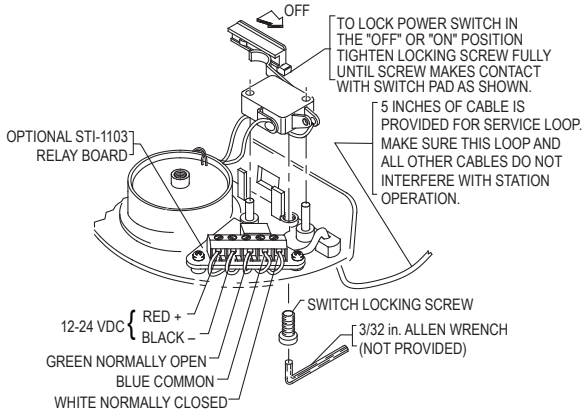


Fig. 4

4. Make any external connections for remote power or relay options. Refer to Fig. 5 for wiring details.
5. For models using the 2" spacer to install the cover, insert the cable end stop into the pocket on the inside of the frame. Hold the frame against the wall and pull the cable to lock into the slot. Repeat for 2nd cable (FIG. 4).
6. Slide power switch, on back of horn housing, to "ON" position (Fig. 5). When power is connected to unit horn should sound. **NOTE:** If external power source is used horn will not sound until power is turned on at source.
7. Push switch in to silence horn while tightening switch locking screw (Fig. 5 for location of screw). This prevents slide switch from being shut off during unauthorized use. **NOTE:** Surface Mount version is shipped with screw in locked position.
8. Close cover on frame by aligning tabs on cover with slots on frame and push bottom on tightly, horn should silence. To test: lift cover, horn should sound, and return cover to frame to silence horn. Unit is armed for operation.



**OPTIONAL RELAY CONTACT SETTINGS
STI MODELS 1100RC, 1130RC, 1150RC AND 1155RC**

Fig. 5

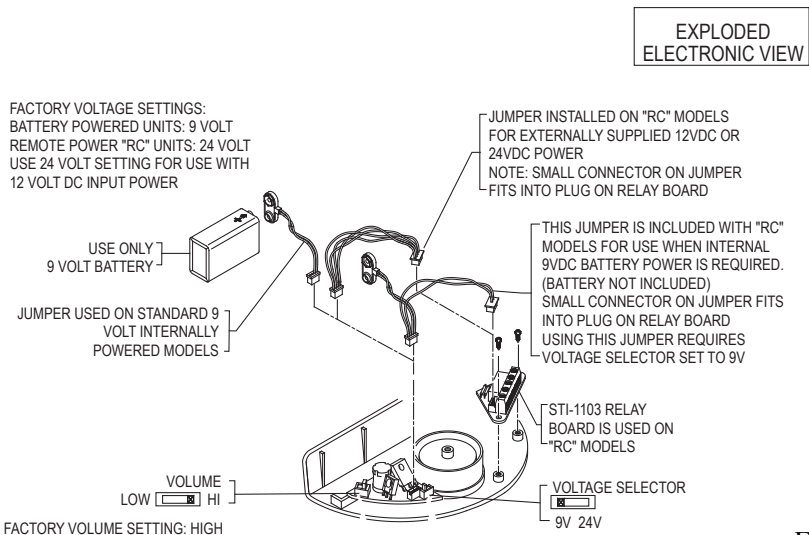


Fig. 6

Gasket Installation

Use of gaskets is necessary to ensure a proper seal in weatherproof applications. Weather Stopper models ship complete with all necessary gaskets and should be used accordingly. For flush mount weather applications, one STI-3002 must be used between the frame or spacer and wall or backplate (see Fig. 3). An STI-3004 gasket must be used around all entering conduit. For surface mount applications, the conduit insert with holes is available for installation in the bottom knockout of the conduit spacer. This helps prevent excessive condensation buildup; but may allow for dust entry. STI recommends gasket replacement every five years. (UL requires listing of pull station to be UL Listed for outdoor installations.)

Battery Replacement Instructions

1. Remove the cover from the frame. It is not necessary to remove the cables from the frame.
2. Use a 3/32" allen wrench to loosen the button head screw located next to the switch far enough to slide the switch to the "off" position.
3. Holding the horn housing and cover in one hand, remove the button head screw located on the top of the cover with the same allen wrench.
4. Set the clear cover aside and remove the horn housing cover.
5. Replace the battery with a 9 Volt battery only. Be careful to keep the wires away from the slide switch and the micro-switch.
6. Reassemble the unit making sure that the horn housing fits into the tabs on the horn housing cover; and that this assembly is mounted evenly into the clear cover.
7. Replace the button head screw through the top of the clear cover and into the top of the horn.
8. Slide the switch to the "on" position. The horn should sound.
9. Push the switch in to silence horn while tightening the "on" position locking screw.
10. Replace the cover onto the frame and test by removing the cover from the frame. The horn should sound when removed and silence when cover is replaced. If unit does not operate correctly, contact Safety Technology International, Inc.

Polycarbonate Cleaning Instructions

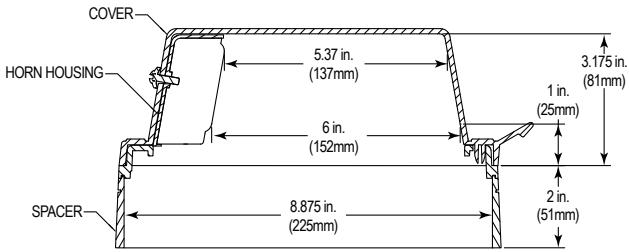
Rinse with water to remove abrasive dust and dirt. Wash with soap or mild detergent, using a soft cloth. Rinse once more, then dry with a soft cloth or chamois. Exercise caution when using water inside enclosure. Make sure unit is completely dry inside before reassembling. To remove grease or wet paint from exterior of cover, rub gently with a cloth thoroughly wetted with Naphtha. Then wash and rinse. (Do not use razor blades.)

Options Available

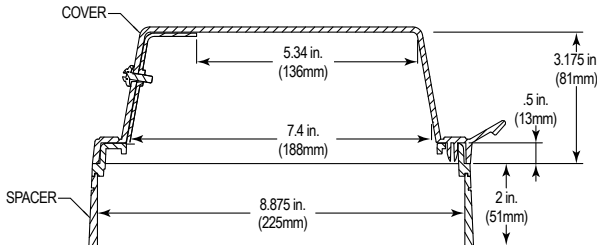
KIT-316	Louvers for STI-3100
KIT-H19015	Two 3/32" Allen wrenches
STI-1102	Replacement horn for cover with alarm
STI-1280	Backplate
STI-3002	Weather gasket
STI-3003	Conduit gasket
STI-3100	2" conduit spacer with 1/2" conduit entry
STI-3104	2" conduit spacer with 3/4" conduit entry (includes one 3/4" conduit entry gasket)

Product Dimensions

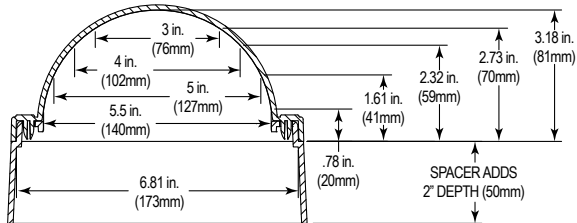
EXTERNAL DIMENSIONS: · Flush 7.1 x 10.0 x 3.3 in. (180 x 254 x 84 mm)
 W x H x D · Surface 7.23 x 10.1 x 5.28 in. (184 x 256 x 134 mm)



SIDE VIEW
Models with Horn



SIDE VIEW
Models without Horn



END VIEW
All Models



USA



**Safety Technology
 International**



EMEA

2306 Airport Rd • Waterford, MI 48327, USA
 Phone: 248-673-9898 • info@sti-usa.com • www.sti-usa.com

Taylor House • 34 Sherwood Road • Bromsgrove, Worcestershire • B60 3DR • England
 Tel: +44 (0)1527 520 999 • info@sti-emea.com • www.sti-emea.com

Unit 7A • Lockhead Avenue • Airport Business Park • Waterford • X91 HWF2 • Ireland
 info@sti-emea.com • www.sti-emea.com

Subject to change without notice.
 Printed in USA

STOPPER II SERIES IS
 FEB2017