

Installation Guide

INTWM / INTWMW

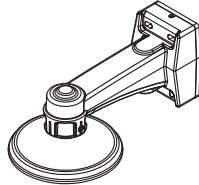
speco technologies®

200 New Highway, Amityville NY 11701
800.645.5516 / www.specotech.com

Wall Mount

Compatible Models

- CVC5300DPVF
- CVC5845DNV, CVC5945DNV
- CVC5735DNV, CVC5835DNV, CVC5935DNV
- HT7246iHR, HT7247iHR, HT7250iHR
- HT7248FFi, HTD8FFi
- HTINTD8, HTINTD9, HTINTD10
- OINT03D1G



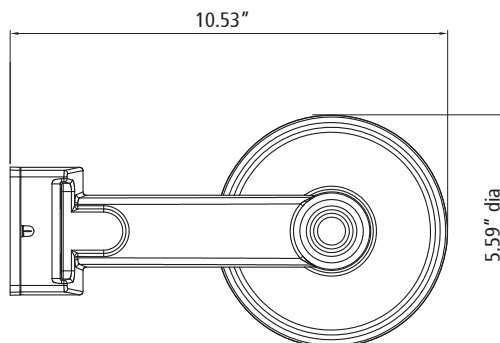
Package Contents

The following items are included in this package.

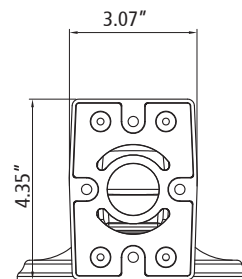
- INTWM / INTWMW
- 1 Base Sponge Adaptor
- 1 Bracket Dome Adaptor
- 1 Wall Bracket Adaptor
- 1 Wrench
- 4 Hexagon Socket Screws M5 x 30
- 3 Machine Screws M4 x 15
- 3 Machine Screws M4 x 22
- 2 Machine Screws M4 x 18
- 4 Tapping Screws 6 x 40
- 2 Hexagon Socket Screws M8 x 8
- 4 Plastic Anchor 8 x 40

Dimensions

Front View

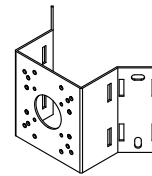


Side View



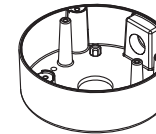
Optional Accessories

INTCM



Pole/Corner Mount

CVCJBD



Dome Junction Box

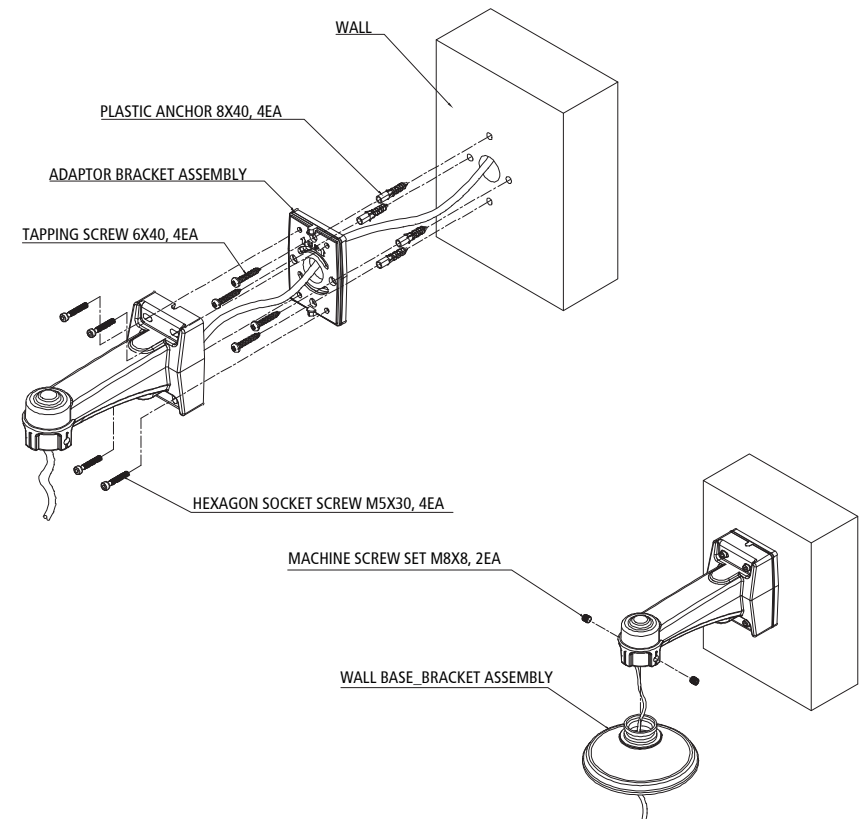
JB03TG



Large Round Junction Box

Installation Instruction Diagram

1-1. Install mount onto the wall by using the screws provided.



Installation Guide

INTWM / INTWMW

speco technologies®

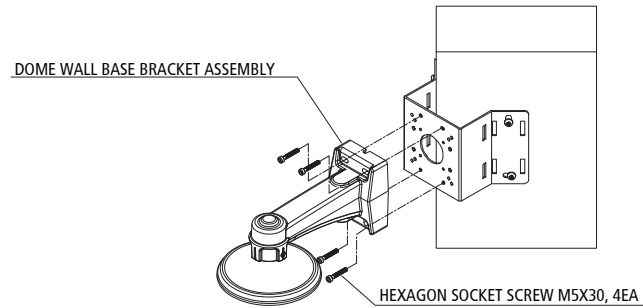
200 New Highway, Amityville NY 11701

800.645.5516 / www.specotech.com

Installation Instruction Diagram

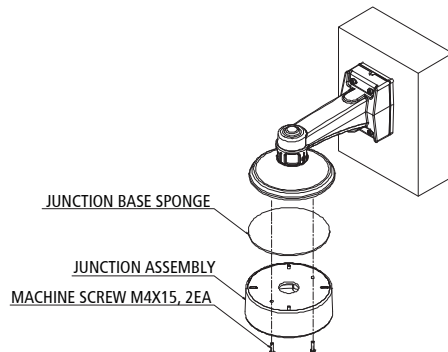
1-2. Install INTCM onto pole or wall.

1-3. Install mount onto INTCM as shown in the image below.



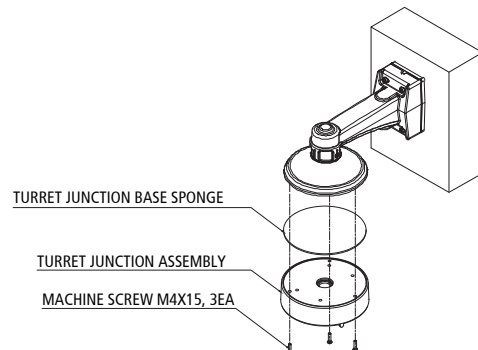
1-3. Install INTWM onto ceiling.

1-4. Install CVCJBD junction box onto INTWM as shown in the image below.



1-5. Install INTWM onto ceiling.

1-6. Install JB03TG junction box onto INTWM as shown in the image below.



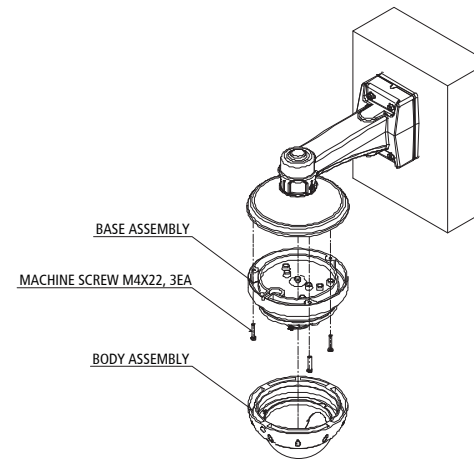
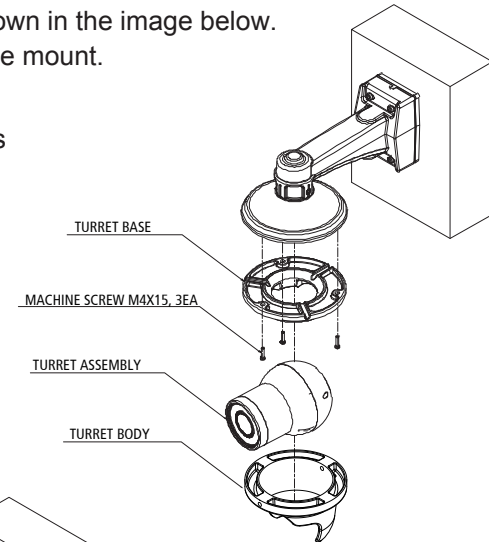
Installation Instruction Diagram

2. Arrange each piece as shown in the image below.

3. Fasten the camera onto the mount.

*Compatible models

CVC5845DNI(W)
CVC5945DNI(W)
CVC5300DPVF(W)
HTD8FFi
HTINTD8(W)
HTINTD9(W)
HTINTD10(W)
OINT03D1G



*Compatible models

CVC5735DNI(W)
CVC5835DNI(W)
CVC5935DNI(W)

*Compatible models

HT7246iHR
HT7247iHR
HT7250iHR
HT7248FFi

