

## Electromechanical Push Bars

**SD-961B-36GQ** Mechanical Push Bar

**SD-961B-36GSQ** Solenoid-Actuated Push Bar

ENFORCER Electromechanical Push Bars feature a double-locking spindle for stronger and more secure locking. All models include a cylinder lock for keyed entry and some models offer solenoid-actuation to allow unlocking and relocking by an access control device.

### Features

- Double-locking spindle (stronger and more secure)
- Aluminum alloy construction, reversible, non-handed
- Fail-secure operation (but can be opened from inside by pressing the bar)
- Lock status monitoring for indicating status
- Mortise lock cylinder and keys included to release the lock from the outside
- Dogging latch on push bar to hold open
- Includes all needed hardware for typical installations

### SD-961B-36GSQ Solenoid-Actuated Models

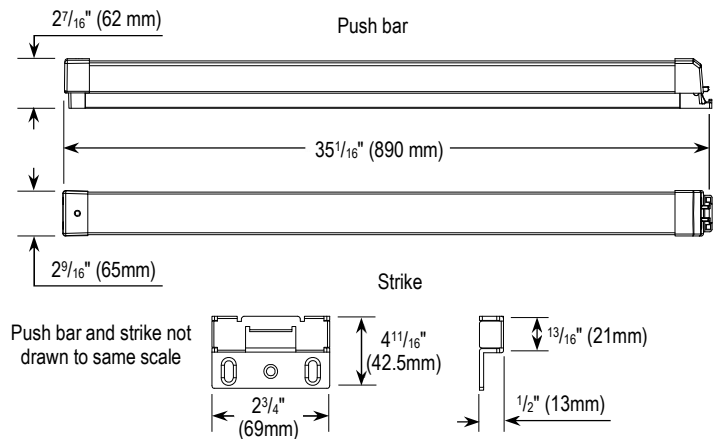
- Solenoid-actuation allows unlocking and relocking by an access device
- Solenoid is rated for both continuous and intermittent operation

### Specifications

Model	SD-961B-36GQ	SD-961B-36GSQ
Operating voltage	N/A	12~24 VDC/VAC
Current draw	N/A	1.5A (0.5A after 3s)
Endurance	N/A	Over 500,000 cycles
Housing	Anodized aluminum	
For doors	36" (91.5cm), min. 32 <sup>7</sup> / <sub>8</sub> " (83.5cm), wood or metal	
Relay rating	Form C, 5A@125VAC	
Mode	Fail-secure	
Dimensions	27 <sup>1</sup> / <sub>16</sub> "x29 <sup>1</sup> / <sub>16</sub> "x35 <sup>1</sup> / <sub>16</sub> " (61.5x65x890 mm)	



### Overview



### Double-Locking Spindle

The locking spindle coupled with the sliding lock bolt provides stronger, more secure locking.

