

# ENFORCER®

## NR-P101E-TQ, NR-P401E-TQ

### Gigabit PoE Extenders

### Manual



NR-P401E-TQ



NR-P101E-TQ

#### Features:

- Extends the range of PoE Ethernet devices over Cat5e or higher cables an additional 328ft (100m)
- Connects 10,100,1000BaseT PoE devices including IP cameras, IP access control, VOIP, IP speakers/intercoms, etc.
- Supports up to gigabit transmission rates
- Passive operation – no external power required
- Easy plug-and-play installation
- Compliant with IEEE802.3af, IEEE802.3at
- Automatically detects PoE equipment and protects from damage due to faulty installation

#### NR-P401E-TQ

- 4 Output ports for up to 4 PoE devices
- Also compliant with IEEE802.3bt 4 pairs

# ENFORCER Gigabit PoE Extenders

## Introduction:

The ENFORCER Gigabit PoE Extenders connects PoE cameras, IP access control, IP telephony, IP speakers/intercoms, or other PoE devices using a single Cat5e or Cat6 cable to extend its data and power range by an additional 328ft (100m). The NR-P401E-TQ supports up to 4 PoE devices.

## Parts List:

1x PoE Extender*	2x Wall-mount brackets	2x Wall mounting screws
2x Plastic wall anchors	4x Extender bracket mounting screws	1x Manual*

\*NR-P101E-TQ includes only the PoE extender with end caps and manual

## Specifications:

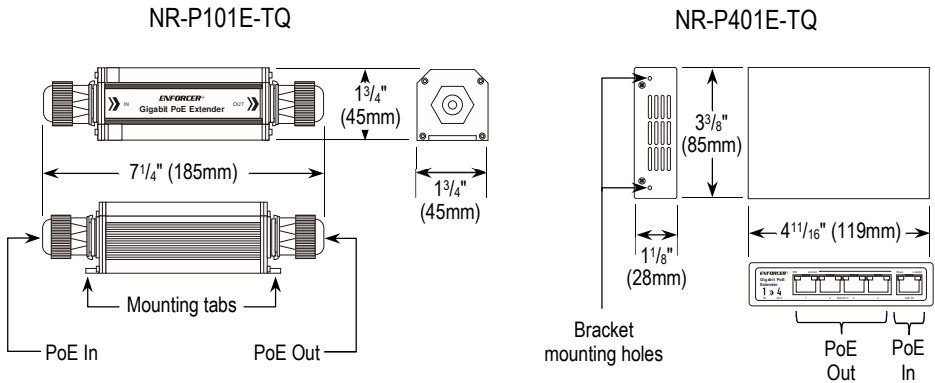
Model		NR-P101E-TQ	NR-P401E-TQ
Connections	PoE In	1x Weather-resistant RJ-45	1x Shielded RJ-45
	PoE Out	1x Weather-resistant RJ-45	4x Shielded RJ-45
PoE Power	Input	Up to 30W	Up to 60W
	Output	Up to 25W	Up to 55W (total for 4 ports)
Transmission range*	1 Extender	656ft (200m)	656ft (200m)
	2 Extenders	984ft (300m)	984ft (300m)
Data link		Both pin 1/2, 3/6 and 4/5, 7/8	
Power link		Pin 1/2(+), 3/6(-) up to 25W	Pin 1/2(+), 3/6(-) up to 12W for 4 PSE, 25W for 2 PSE
Network cables		Weather-resistant Cat-5e or higher	Shielded Cat-5e or higher
Ethernet speed		10/100/1000 Mbps half/full duplex	
PoE standard		IEEE 802.3af, IEEE 802.3at	IEEE 802.3af, IEEE 802.3at, IEEE 802.3bt 4 pairs (60W)
LED Indicators	Power link	None	Yellow
	Data link		Green, steady
	Data Transmit		Green flashing
IP rating		IP66 (with weather-resistant UTP cable)	None†
Operating humidity		90% (maximum, non-condensing)	
Operating temperature		-13°~101° F (-25°~55° C)	14°~113° F (-10°~45° C)
Dimensions		7 <sup>1</sup> / <sub>4</sub> "x1 <sup>3</sup> / <sub>4</sub> "x1 <sup>3</sup> / <sub>4</sub> " (185x45x45 mm)‡	4 <sup>1</sup> / <sub>16</sub> "x1 <sup>1</sup> / <sub>8</sub> "x3 <sup>3</sup> / <sub>8</sub> " (119x28x85 mm)
Weight		8-oz (227g)	8.8-oz (250g)

\*The maximum range depends on the actual operating conditions, PoE device power requirements, and the type of PoE device. Cat5e/6 Ethernet cables are recommended.

†The NR-P401E-TQ can be used outdoors with an IP66 sealed box and weather-resistant UTP cables

‡Including endcaps

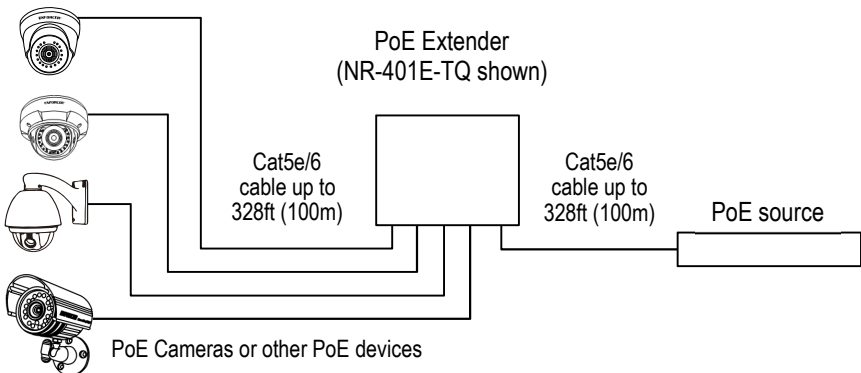
## Overview



## Installation:

1. Determine the proper location for mounting the extender between the PoE power source and the PoE camera, ensuring that neither cable exceeds 328ft (100m) in length.
2. Mount the NR-P101E-TQ using 4 screws (not included) and the mounting tabs.
3. For the NR-P401E-TQ, attach the two mounting brackets to the extender, using the 4 included extender bracket mounting screws. Drill holes and attach the extender/bracket assembly to the wall or other desired location using the two wall mounting screws and, if needed, the plastic wall anchors.
4. Ensure that power is off to the PoE power source and all PoE devices.
5. Connect the cables from the PoE power source to the PoE In port of the extender.
6. Connect the cables from the PoE cameras to the PoE Out port of the extender.
7. Turn on the PoE power source and wait up to one minute for the devices to start and establish connections.
8. Test to ensure that all devices are working properly.

## Sample CCTV Application:



## Troubleshooting:

PoE device doesn't function properly

- Ensure that all devices are turned on
- Ensure that the PoE device is functioning by plugging it directly into the PoE switch, computer, etc.
- Double-check that the cables were connected properly
- Run a continuity test on all wires in the cable
- Equipment at both ends must be at the same link speed, 10BASE-T with 10BASE-T, 100BASE-T with 100BASE-T, etc.
- Replace with a higher-grade cable for better performance
- Ensure that the cable lengths are within the allowable range and consistent with the remote PoE device power consumption, and reduce cable length as needed
- With 1000BASE-T, power consumption is greater, so no more than 2 PoE extenders may be used
- Check that power consumption is within the specifications

---

**IMPORTANT:** Users and installers of this product are responsible for ensuring this product complies with all national, state, and local laws and statutes related to monitoring and recording audio and video signals. SECO-LARM will not be held responsible for the use of this product in violation of any current laws or statutes.

---

### FCC COMPLIANCE STATEMENT

THIS DEVICE COMPLIES WITH PART 15 OF THE FCC RULES. OPERATION IS SUBJECT TO THE FOLLOWING TWO CONDITIONS: (1) THIS DEVICE MAY NOT CAUSE HARMFUL INTERFERENCE AND (2) THIS DEVICE MUST ACCEPT ANY INTERFERENCE RECEIVED, INCLUDING INTERFERENCE THAT MAY CAUSE UNDESIRE OPERATION.

Notice: The changes or modifications not expressly approved by the party responsible for compliance could void the user's authority to operate the equipment.

IMPORTANT NOTE: To comply with the FCC RF exposure compliance requirements, no change to the antenna or the device is permitted. Any change to the antenna or the device could result in the device exceeding the RF exposure requirements and void user's authority to operate the device.

---

**WARRANTY:** This SECO-LARM product is warranted against defects in material and workmanship while used in normal service for one (1) year from the date of sale to the original customer. SECO-LARM's obligation is limited to the repair or replacement of any defective part if the unit is returned, transportation prepaid, to SECO-LARM. This Warranty is void if damage is caused by or attributed to acts of God, physical or electrical misuse or abuse, neglect, repair or alteration, improper or abnormal usage, or faulty installation, or if for any other reason SECO-LARM determines that such equipment is not operating properly as a result of causes other than defects in material and workmanship. The sole obligation of SECO-LARM and the purchaser's exclusive remedy, shall be limited to the replacement or repair only, at SECO-LARM's option. In no event shall SECO-LARM be liable for any special, collateral, incidental, or consequential personal or property damage of any kind to the purchaser or anyone else.

---

**NOTICE:** The SECO-LARM policy is one of continual development and improvement. For that reason, SECO-LARM reserves the right to change specifications without notice. SECO-LARM is also not responsible for misprints. All trademarks are the property of SECO-LARM U.S.A., Inc. or their respective owners. Copyright © 2020 SECO-LARM U.S.A., Inc. All rights reserved.

---

**SECO-LARM® U.S.A., Inc.**

16842 Millikan Avenue, Irvine, CA 92606  
Phone: (949) 261-2999 | (800) 662-0800

Website: [www.seco-larm.com](http://www.seco-larm.com)  
Email: [sales@seco-larm.com](mailto:sales@seco-larm.com)

 PICSN7

MI\_NR-Px01E-TQ\_200316.docx