

## Gigabit PoE Extenders

**NR-P101E-TQ** 1-Input to 1-Output, Weather-Resistant

**NR-P401E-TQ** 1-Input to 4-Output

The ENFORCER Gigabit PoE Extenders connects PoE cameras, IP access control, IP speakers/intercoms, IP telephony, or other PoE devices using a single Cat5e or Cat6 cable to extend data and power by an additional 328ft (100m), for a total range of up to 984ft (300m) with two extenders. The NR-P401E-TQ supports up to 4 PoE devices.



NR-P101E-TQ



NR-P401E-TQ

### Features:

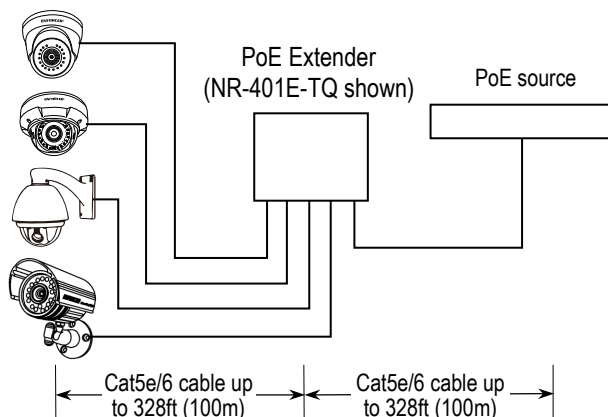
- Extends the range of PoE Ethernet devices over Cat5e or higher cables an additional 328ft (100m)
- Connects 10,100,1000BaseT PoE devices including IP cameras, IP access control, VOIP, IP speakers/intercoms, etc.
- Supports up to gigabit transmission rates
- Passive operation – no external power required
- Easy plug-and-play installation
- Compliant with IEEE802.3af, IEEE802.3at
- Automatically detects PoE equipment and protects from damage due to faulty installation

### NR-P401E-TQ only:

- 4 Output ports for up to 4 PoE devices
- Also compliant with IEEE802.3bt 4 pairs

### Sample CCTV Application:

PoE Cameras or other PoE devices



### Specifications:

Model		NR-P101E-TQ	NR-P401E-TQ
Connections	PoE In	1x Weather-resistant RJ-45	1x Shielded RJ-45
	PoE Out	1x Weather-resistant RJ-45	4x Shielded RJ-45
PoE Power	Input	Up to 30W	Up to 60W
	Output	Up to 25W	Up to 55W (total for 4 ports)
Transmission range*	1 Extender	656ft (200m)	656ft (200m)
	2 Extenders	984ft (300m)	984ft (300m)
Data link	Both pin 1/2, 3/6 and 4/5, 7/8		
Power link	Pin 1/2(+), 3/6(-) up to 25W		Pin 1/2(+), 3/6(-) up to 12W for 4 PSE, 25W for 2 PSE
Network cables	Weather-resistant Cat-5e or higher		Shielded Cat-5e or higher
Ethernet speed	10/100/1000 Mbps half/full duplex		
PoE standard	IEEE 802.3af, IEEE 802.3at		IEEE 802.3af, IEEE 802.3at, IEEE 802.3bt 4 pairs (60W)
LED Indicators	Power link	None	
	Data link	None	
	Data Transmit	None	
IP rating	IP66 (with weather-resistant UTP cable)		None†
Operating humidity	90% (maximum, non-condensing)		
Operating temperature	-13°~101° F (-25°~55° C)		14°~113° F (-10°~45° C)
Dimensions	7 1/4" x 1 3/4" x 1 3/4" (185x45x45 mm)‡		4 1/16" x 1 1/8" x 3 3/8" (119x28x85 mm)
Weight	8-oz (227g)		8.8-oz (250g)

\*The maximum range depends on the actual operating conditions, PoE device power requirements, and the type of PoE device. Cat5e/6 Ethernet cables are recommended.

†The NR-P401E-TQ can be used outdoors with an IP66 sealed box and weather-resistant UTP cables

‡Including endcaps

**SECO-LARM® U.S.A., Inc.**

16842 Millikan Avenue, Irvine, CA 92606

Phone: (949) 261-2999 | (800) 662-0800 Fax: (949) 261-7326

Website: www.seco-larm.com Email: sales@seco-larm.com



Copyright © 2020 SECO-LARM U.S.A., Inc. All rights reserved.

All trademarks are the property of SECO-LARM U.S.A., Inc. or their respective owners. The SECO-LARM policy is one of continual development. For that reason, SECO-LARM reserves the right to change prices and specifications without notice. SECO-LARM is not responsible for misprints.

**SECO-LARM® ENFORCER® CRIMEBUSTER® CBA® SLI®**

PI\_NR-Px01E-TQ\_200616.docx