

**Quick Reference Guide:**

**Note:** For complete programming instructions, please see page 10, *Programming Instructions*.

Operation Function	Action
Enter an Output #1 user code	Directly enter on the keypad
Enter an Output #2 user code	Directly enter on the keypad
Ring doorbell	Press <b>[*]</b> (if programmed)
Enter Programming Mode	Enter the master code twice
Exit Programming Mode	Press <b>[#]</b>
Reset or restore the keypad	Please see full instructions on page 13
Program the proximity reader	Please see full instructions on pages 13 and 14.

The following functions are performed **after** entering Programming Mode.

Operation Function	Step 1	Step 2	Step 3
Change the master code	Enter <b>[*] 3</b>	Enter the new Master Code twice	
Program a new Output #1 user code	Enter a 3-digit user ID (from 000-999)	Enter a 5-digit user code.	
Program a new Output #2 user code*	Enter <b>[*] 4</b>	Enter a 2-digit user ID (from 00-09)	Enter a new 5-digit user code.
Deleting an Output #1 user *	Enter a 3-digit user ID (from 000-999)	Enter <b>[*] [*]</b>	
Deleting an Output #2 user *	Enter <b>[*] 4</b>	Enter a 2-digit user ID (from 00-09)	Enter <b>[*] [*]</b>
Set Output #1 timer	Enter <b>[*] 1</b>	Enter number of seconds (from 00-99)	
Set Output #2 timer	Enter <b>[*] 5</b>	Enter number of seconds (from 00-99)	
Set Output #2 function	Enter <b>[*] 2</b>	Enter: <b>01</b> for user codes <b>02</b> for doorbell	
Set tamper alarm	Enter <b>[*] 6</b>	Enter: <b>01</b> for OFF <b>02</b> for ON	

\*After programming these functions, press **[#]** to return to Programming Mode.

**WARRANTY** This SECO-LARM product is warranted against defects in material and workmanship while used in normal service for a period of one (1) year from the date of sale to the original consumer customer. SECO-LARM's obligation is limited to the repair or replacement of any defective part if the unit is returned, transportation prepaid, to SECO-LARM. This Warranty is void if damage is caused by or attributed to acts of God, physical or electrical misuse or abuse, neglect, repair, or alteration, improper or abnormal usage, or faulty installation, or if for any other reason SECO-LARM determines that such equipment is not operating properly as a result of causes other than defects in material and workmanship. The sole obligation of SECO-LARM, and the purchaser's exclusive remedy, shall be limited to replacement or repair only, at SECO-LARM's option. In no event shall SECO-LARM be liable for any special, collateral, incidental, or consequential personal or property damages of any kind to the purchaser or anyone else.

**NOTICE:** The information and specifications printed in this manual are current at the time of publication. However, the SECO-LARM policy is one of continual development and improvement. For this reason, SECO-LARM reserves the right to change specifications without notice. SECO-LARM is also not responsible for misprints or typographical errors.

Copyright © 2010 SECO-LARM U.S.A., Inc. All rights reserved. This material may not be reproduced or copied, in whole or in part, without the written permission of SECO-LARM.

**SECO-LARM® U.S.A., Inc.**

16842 Millikan Avenue, Irvine, CA 92606  
Tel: 800 662 0800 / 949 261 2999 Fax: 949 261 7326

Website: [www.seco-larm.com](http://www.seco-larm.com)  
E mail: [info@seco-larm.com](mailto:info@seco-larm.com)



**Outdoor Stand-Alone Weatherproof Keypads**

Manual



(SK-2323-SDQ shown)



(SK-1323-SPQ shown)

Model Number	2 Relay Outputs	Backlit Keys	Proximity Reader
--------------	-----------------	--------------	------------------

**Mullion-Style Keypads**

SK-2323-SDQ	✓	✓	
SK-2323-SPQ	✓	✓	✓

**Sealed-Environment Keypads**

SK-1323-SDQ	✓	✓	
SK-1323-SPQ	✓	✓	✓



NOTE: Products with a model number that ends with "Q" or have a round green "Q" sticker represent RoHs compliant products.

**Table of Contents:**

Features .....	2	Sample Wiring and Application .....	6-7
Specifications .....	2	User Control Chart .....	8-9
Also Available from SECO-LARM .....	2	Programming Instructions .....	10-12
Dimensions.....	3	Resetting the Keypad.....	13
Parts List .....	3	Manually Resetting the Master Code .....	13
LED & Audible Indicators .....	3	Programming the Proximity Reader .....	13-14
Optical Tamper.....	3	Factory Defaults .....	15
Important Notes.....	4	Troubleshooting .....	15
Wiring Diagram.....	4	Using the Keypad.....	15
Installation .....	5	Quick Reference Guide.....	16

**Features:**

- 12~15 VDC operation.
- 1,010 User codes.
- 2 Form C relays, each rated 1 Amp @ 30VDC.
- Each relay has programmable output time from 1~99 seconds or toggle.
- Output #2 can be programmed for use with a doorbell.
- 2 Egress inputs and 1 door sensor input.
- Backlit keys for easy nighttime use.
- Able to mount to a single-gang back box.
- All features are programmed directly from the keypad—no need for an external programmer.
- EEPROM memory protects programmed information in case of power loss.
- Optical tamper for added security.
- Circuitry is potted with epoxy for outdoor use.
- IP 65 weatherproof rating, rugged aluminum construction.
- Built-in proximity card reader (SK-2323-SPQ and SK-1323-SPQ only).

**Specifications:**

Operating voltage		12~15 VDC
Current draw	Standby	40mA@12VDC
	Active	70mA@12VDC
Relay outputs	Output #1	1A@30VDC, Form C, NO/NC/COM
	Output #2	1A@30VDC, Form C, NO/NC/COM
Egress inputs	Input #1	N.O. ground
	Input #2	N.O. ground
Door sensor input		N.C. ground
Tamper sensor		Optical
Operating temperature		-4°~122° F (-20°~50° C)
Keypad LED life		60,000 hours (over 6.8 years)
Weight	SK-1323 Series	1-lb 2-oz (510g)
	SK-2323 Series	11-oz (312g)
Proximity reader frequency (SK-2323-SPQ and SK-1323-SPQ only)		125kHz
Proximity reader distance (SK-2323-SPQ and SK-1323-SPQ only)		1 <sup>15</sup> / <sub>16</sub> " (5cm)

**Also Available from SECO-LARM:**

**PR-K1K1-AQ:** Proximity key fobs.  
(Sold in packs of 10).



**PR-K1S1-A:** Proximity cards.  
(Sold in packs of 10).



**Factory Defaults:**

Master Code	12345
Output #1 User Codes	None
Output #2 User Codes	None
Output #1 Timer	1 second
Output #2 Timer	1 second
Output #2 Function	User codes
Tamper Alarm	OFF

**Troubleshooting:**

- |   |   |
|---|---|
| <p>The keypad will not accept user codes or user cards.</p> | <ul style="list-style-type: none"> <li>• Make sure the Output #1 Access Mode is programmed to accept user codes.<br/>(See page 13, <i>Setting the Output #1 Access Mode</i>.)</li> <li>• If an incorrect card or code has been entered, the keypad may be in Wrong Code Lockout. Wait 1 minute.<br/>(See <i>Wrong Code Lockout</i> above.)</li> </ul> |
| <p>Output #2 will not activate.</p>                         | <ul style="list-style-type: none"> <li>• Make sure that Output #2 is programmed for the correct function.<br/>(See page 12, <i>Programming the Output #2 Function</i>.)</li> </ul>  |
| <p>Egress input is not working.</p>                         | <ul style="list-style-type: none"> <li>• Check that egress is wired correctly.<br/>(See page 4, <i>Wiring Diagram</i>).</li> </ul>  |
| <p>Relay output will not stop.</p>                          | <ul style="list-style-type: none"> <li>• Make sure that the output is not set for toggle mode.<br/>(See page 12, <i>Programming the Output #1 Timer and Programming the Output #2 Timer</i>).</li> </ul>  |
| <p>User code will not program.</p>                          | <ul style="list-style-type: none"> <li>• Make sure that the user has been deleted before programming a new user code.</li> </ul>  |

**Using the Keypad**

For programming instructions, see page 10, *Programming Instructions*.

**Entering a User Code**

- To activate either Output #1 or Output #2, enter the user code directly into the keypad.
  - Do not enter the user ID number. The user ID number is only used during Programming Mode.
- Example:** If a user code for Output #1 is **54321**, enter **5** **4** **3** **2** **1** to trigger Output #1.

**Using a User Card**

- To activate either Output #1 or Output #2 with a user card, hold the user card in front of the keypad. The keypad will beep once the user card has been read.

**Note:** For the SK-2323-SPQ and SK-1323-SPQ need to be programmed to accept user codes. See page 13, *Setting the Output #1 Access Mode*.

**Using a User Card with a User Code**

- If Output #1 is programmed to accept a user card with a user code, swipe the user card. Immediately enter the user code. This may be done in reverse order.

**Wrong Code Lockout**

- If a wrong code is entered or a wrong card is swiped 5 consecutive times, the keypad will go into lockout for 1 minute. During this time, no codes can be entered and no cards can be swiped.
- Pushing buttons or swiping cards during lockout will extend the lockout time.

Continued from page 13.

**Programming the Master Card:**

In addition to a Master Code, a Master Card can also be programmed. Swiping a Master Card will give direct access to Programming Mode.

1. To program a Master Card, enter Programming Mode.
2. On the keypad, enter **[\*] [7]**.
3. Swipe a proximity card (PR-K1S1A or similar).
4. This card is now the Master Card.

**Deleting the Master Card:**

The keypad can only store one Master Card at a time. The existing Master Card must be deleted before a new one is learned.

1. To delete a Master Card, enter Programming Mode.
2. On the keypad, enter **[\*] [7]**.
3. Enter **[\*] [\*]**.
4. The current Master Card is now deleted.
5. The keypad is now in New Card Entry Mode. You may swipe a new Master Card or press **[#]** to return to Programming Mode.

**Programming User Cards:**

**Note:** Before programming a new Output #1 user card, existing information for that user must be deleted. See page 11, *Deleting or Changing an Output #1 User* and *Deleting or Changing an Output #2 User*.

User cards are programmed in the same manner as user codes. (See page 10, *Programming an Output #1 User Code* and page 11. *Programming an Output #2 User Code*. However, instead of entering a user code, swipe a user card.

*Programming an Output #1 User Card:*

1. Enter Programming Mode.
2. On the keypad, enter a user ID number (000~999).
3. If there are existing user cards or user codes stored for this user, delete them by entering **[\*] [\*]**.
4. Swipe a proximity card (PR-K1S1A or similar). This card may not be the same card as another user card or as the Master Card.
5. If programming a user card and a user code for the same user, enter the new user code within 5 seconds of swiping the proximity card.

**Note:** A user card and user code programmed for the same user ID number must be programmed together. Program the user card first, and then program the user code.

6. The keypad is now in New Code Entry Mode. Press **[#]** to return to Programming Mode.

*Programming an Output #2 User Card:*

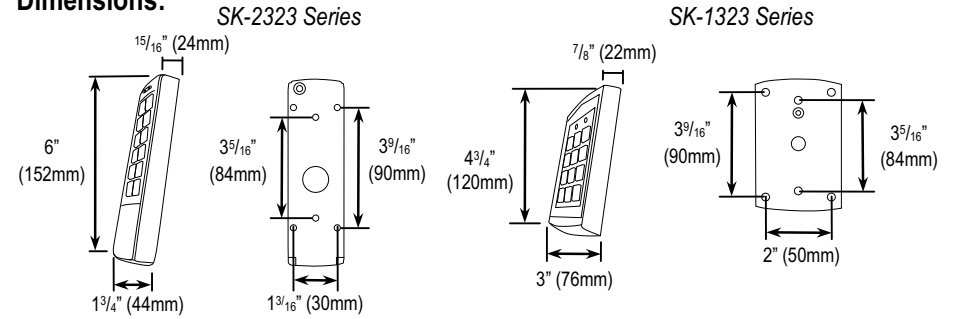
1. Enter Programming Mode.
2. On the keypad, enter **[\*] [4]**.
3. If there are existing user cards or user codes stored for this user, delete them by entering **[\*] [\*]**.
4. On the keypad, enter a user ID number (00~09).
5. Press **[#]** to return to Programming Mode.

**Note:** Only one user code or user card may be assigned to each Output #2 user.

**Changing User Cards:**

For instructions on changing and deleting user cards, see page 11, *Deleting or Changing an Output #1 User* and *Deleting or Changing an Output #2 User*.

**Dimensions:**



**Parts List:**

- |           |                    |                   |                      |                               |
|-----------|--------------------|-------------------|----------------------|-------------------------------|
| 1x Keypad | 4x Mounting screws | 1x Security screw | 1x Mounting template | 1x Metal oxide varistor (MOV) |
| 1x Manual | 4x Screw anchors   | 1x Torx wrench    | 1x Diode             |                               |

**LED & Audible Indicators**

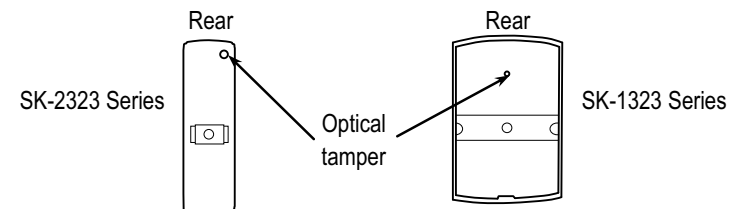
Left LED	Right LED	Keypad Status
OFF	Green	Power ON
OFF	Orange	Programming Mode
Green	Orange flashing	Waiting to program code/card* (card+code access mode)
Red	Orange flashing	Code/card* already present
Green	Green	Relay 1 activated
Red	Green	Relay 2 activated
Orange	Green	Relay 1 and 2 both activated
Orange	Orange	Restoring factory defaults
Green/Yellow flashing	Green	Waiting for code/card entry* (card+code access mode)
OFF	OFF	Power OFF / Clearing user codes

Audible Tones	Keypad Status
1 Long tone	Confirmation
Short tone	Key press
2 Short tones	Invalid entry
3 Short tones	User code/card denied
Constant short tones	Alarm triggered
6 short + 1 long tone	All user codes deleted
No tone when key is pressed	Wrong code lockout

\*Card operation with SK 2323 SPQ and SK 1323 SPQ only.

**Optical Tamper**

There is an optical tamper on the rear of each unit. If the sensor detects light, the tamper alarm will sound. For information on how to program the optical tamper, please see page 12, *Programming the Optical Tamper*.

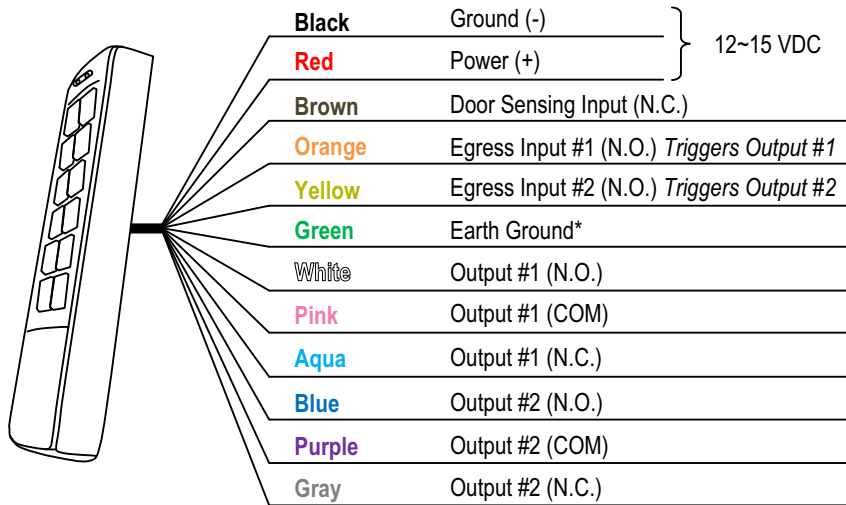


**Important Notes:**

**IF USING THE KEYPAD WITH A MECHANICALLY OPERATED DOOR OR GATE, MOUNT THE KEYPAD AT LEAST 5' (15m) FROM THE DOOR OR GATE TO PREVENT USERS FROM BEING CRUSHED OR PINNED. FAILURE TO DO SO MAY RESULT IN SERIOUS INJURY OR DEATH.**

1. Always disconnect power before servicing the keypad.
2. The keypad must be properly grounded. Use a minimum 22AWG wire connected to the green Earth Ground Wire. Failure to do so may damage the keypad.
3. All wiring and programming should be done by a professional installer to reduce the risk of improper installation.
4. Basic keypad functions are located on page 13 of this manual. Be sure to store this manual in a safe place for future reference.

**Wiring Diagram:**



SK-2323 series shown. Wiring is the same for both series.

\***Earth Ground:** Connect a continuous wire from the Earth Ground Wire (Green) to a grounding point to avoid damage from static discharge. A good grounding point could include a grounded metal conduit, a cold water pipe, or a grounding rod. Use 18AWG wire for earth ground for best results. Wire used must be at least 22AWG.

**Resetting the Keypad:**

**NOTE:** Resetting the keypad will cause some or all programmed data to be lost. Do not perform either of these steps unless it is absolutely necessary.

**Deleting All Users:**

Enter:  
\* 8 8 8

**IMPORTANT:** Once key entry is made, all user codes and user cards will be deleted and the keypad will return to Programming Mode. The Master Code and all other programming settings will remain the same. To restore factory settings, see *Restore Factory Settings* below.

**Restore Factory Settings:**

Enter:  
\* 8 9 9

**IMPORTANT:** Once key entry is made, keypad will return to factory default settings. No users will be present and the Master Code will be **12345**. For SK 2323 SPQ and SK 1323 SPQ, Output #1 Access Mode will be set to proximity cards only.

**Manually Resetting the Master Code:**

If the Master Code has been forgotten or does not work, the following steps can be taken to reset the Master Code:

1. Disconnect power from the keypad.
2. Hold down the # key.
3. While holding the # key, reconnect the power.
4. After 3 seconds, the keypad will beep to confirm a successful reset. The master code is now 12345.

**Note:** Manually resetting the Master Code will only reset the Master Code. It will not affect the Master Card, User Code, or any other saved data. To delete the Master Card, see page 14, *Deleting the Master Card*.

**Programming the Proximity Reader (SK-2323-SPQ and SK-1323-SPQ only):**

**Setting the Output #1 Access Mode:**

**DEFAULT:** Proximity cards only.

**Step 1**

Enter:  
\* 0

**Step 2**

For access through proximity cards only, enter:

0 0

or

For access through either proximity card or user code, enter:

0 1

or

For access through proximity card with user code, enter:

0 2

(In this mode, the user must swipe the card and key in the code for the highest level of security.)

**Note:** When changing access modes, deleting all users is recommended to simplify programming. See *Deleting All Users* on page 13.

Continued from page 11.

**Programming the Output #1 Timer:**

**DEFAULT: 1 second**

- |   |  |
|---|--|
| <p><b>Step 1</b><br/>Enter:<br/>* 1</p> | <p><b>Step 2</b><br/>For toggle mode, enter:<br/>0 0<br/><br/>or<br/>For timed output, enter:<br/>0 1 to 9 9</p> |
|---|--|

- 01 to 99 is the number of seconds Output #1 will activate.

**Programming the Output #2 Timer:**

**DEFAULT: 1 second**

- |   |  |
|---|--|
| <p><b>Step 1</b><br/>Enter:<br/>* 5</p> | <p><b>Step 2</b><br/>For toggle mode, enter:<br/>0 0<br/><br/>or<br/>For timed output, enter:<br/>0 1 to 9 9</p> |
|---|--|

- 01 to 99 is the number of seconds Output #2 will activate.

**Programming the Output #2 Function**

Output #2 can be activated via **ⓧ** or through user codes. Use the following steps to program its function.

**DEFAULT: User codes**

- |   |  |
|---|--|
| <p><b>Step 1</b><br/>Enter:<br/>* 2</p> | <p><b>Step 2</b><br/>For user codes, enter:<br/>0 1<br/><br/>or<br/>For doorbell, enter:<br/>0 2</p> |
|---|--|

- When Output #2 is programmed for doorbell, press **ⓧ** to activate doorbell. Doorbell output lasts 1 second.

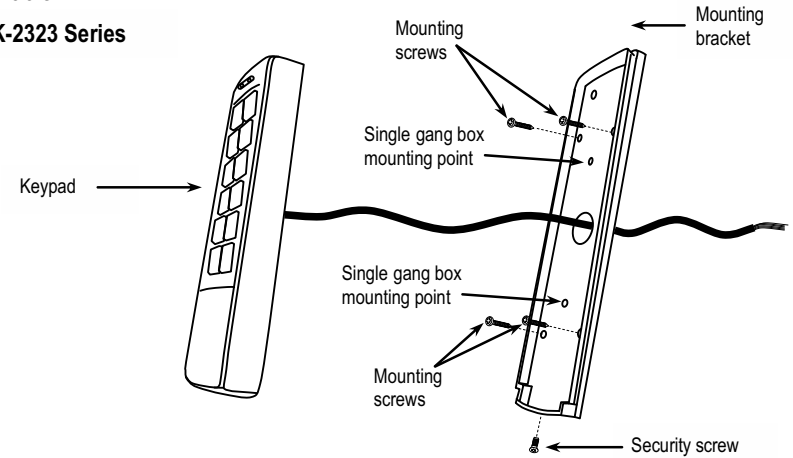
**Programming the Optical Tamper**

**DEFAULT: OFF**

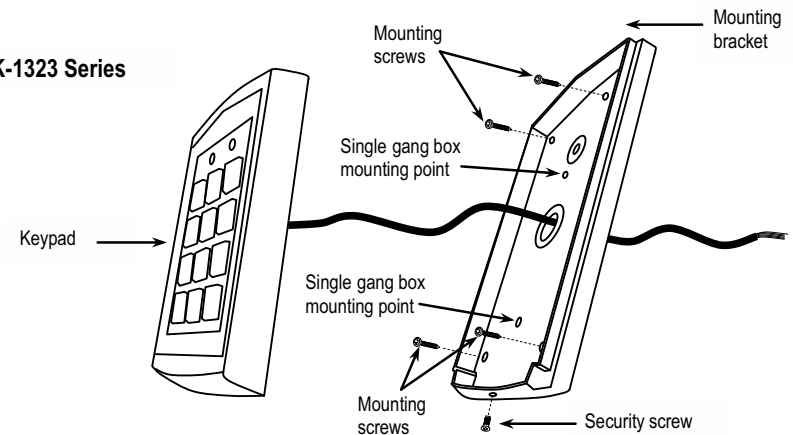
- |   |   |
|---|---|
| <p><b>Step 1</b><br/>Enter:<br/>* 6</p> | <p><b>Step 2</b><br/>To turn optical tamper OFF, enter:<br/>0 1<br/><br/>or<br/>To turn optical tamper ON, enter:<br/>0 2</p> |
|---|---|

**Installation:**

**SK-2323 Series**



**SK-1323 Series**

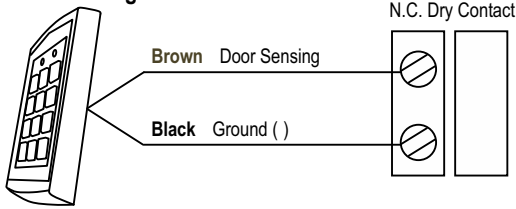


1. Find a suitable location to mount the keypad. Do not install where it will be too high or too low for most users to operate the keypad.
2. Using the included Torx wrench, unscrew the security screw located on the bottom of the keypad's mounting bracket.
3. Carefully remove the keypad from the mounting bracket.
4. Drill holes in the 4 designated mounting points located on the mounting bracket. If needed, use the included mounting template.
5. Using the 4 included mounting screws, secure the mounting bracket to a wall or other mounting surface. If mounting to brick or drywall, it may be necessary to use the included screw anchors.
6. If the installation is using surface wiring, mount the keypad to a single-gang box using the 2 single-gang box mounting points.
7. Connect each of the wires that will be used to operate the keypad according to the wiring diagram on page 4.
8. Reattach the keypad to the mounting base.
9. Use the included Torx wrench to tighten the security screw and secure the keypad to the base.

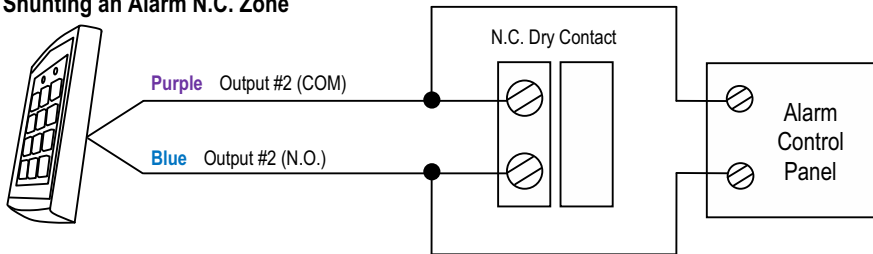
**Sample Wiring and Application:**

(SK-1323 series shown. All examples apply to both the SK-1323 and SK-2323 series.)

**Door Sensing**



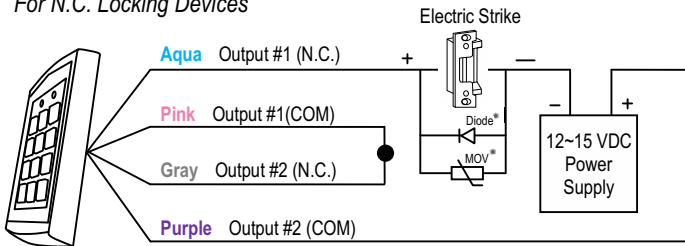
**Shunting an Alarm N.C. Zone**



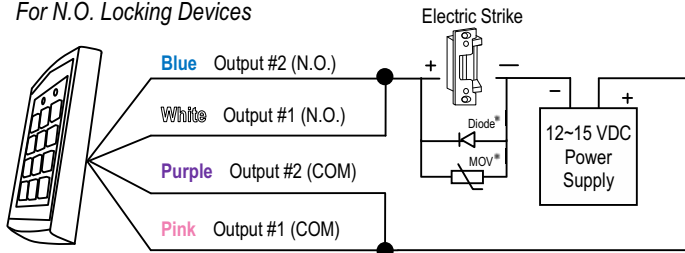
**Door-Hold-Open Code**

Output #1 and Output #2 can be wired together in such a way that electric lock devices remain unlocked as long as Output #2 is activated.

*For N.C. Locking Devices*



*For N.O. Locking Devices*



\* Connect included diode and metal oxide varistor (MOV) as close as possible and in parallel with an electric strike. This absorbs possible electromagnetic interference to prevent operation of the strike from damaging the keypad. Do not connect diode or MOV when using electromagnetic locks.

**More Programming Notes**

**Deleting or Changing an Output #1 User:**

**Step 1**

Enter a user ID number.

0 0 0 to 9 9 9

**Step 2**

Delete existing user by entering:

\* \*

**Step 3**

Swipe a new user card.  
(SK 2323 SPQ and SK 1323 SPQ only)

or

Enter a new user code.

X X X X X

or

Return to Programming Mode  
by entering #

- This option deletes Output #1 users one at a time.
- To delete all users, see page 13, *Deleting All Users*.

**Programming an Output #2 User Code:**

**DEFAULT: No Output #2 user codes programmed**

**Step 1**

Enter:

\* 4

**Step 2**

Enter a user ID number.

0 0 to 0 9

**Step 3**

Enter a new user code.

X X X X X

**Step 4**

Return to Programming Mode  
by entering #

- Before programming a new Output #2 user code, existing information for that user must be deleted. See *Deleting an Output #2 User* below.
- Up to 10 Output #2 user codes can be programmed.
- Each code is assigned a unique 2 digit ID number from 00 to 09.
- An Output #2 user code may not be the same as the Master Code or an Output #1 user code.

**Deleting or Changing an Output #2 User:**

**Step 1**

Enter:

\* 4

**Step 2**

Enter a user ID number.

0 0 to 0 9

**Step 3**

Delete existing user by entering:

\* \*

**Step 4**

Swipe a new user card.  
(SK 2323 SPQ and SK 1323 SPQ only)

or

Enter a new user code.

X X X X X

or

Return to Programming Mode  
by entering #

- This option deletes Output #2 users one at a time.
- To delete all users, see page 13, *Deleting All Users*.

**Programming Instructions:**

1. All codes are 5 digits in length.
2. Before inputting any of the following, enter Programming Mode by entering the Master Code twice. The default Master Code is 12345.  
To enter Programming Mode, enter **1 2 3 4 5 1 2 3 4 5**
3. To exit Programming Mode, press the **#** key.
4. Keypad will exit Programming Mode if no keys are pressed for 30 seconds.

**First Time Keypad Use**

Take these steps the first time the keypad is programmed. For complete programming instructions, see page 11, *More Programming Notes*.

**1. Enter Programming Mode.**

Enter: **1 2 3 4 5 1 2 3 4 5** (Default Master Code is 12345).

**2. IMPORTANT: Set the Output #1 Access Mode**

(SK-2323-SPQ and SK-1323-SPQ only).

**DEFAULT: User cards only**

**Step 1**

Enter:

**\* 0**

**Step 2**

Enter:

**0 0** User cards ONLY (DEFAULT)

**0 1** Either user card OR user code

**0 2** User card WITH user code

**Note:** The Output #1 Access Mode must be programmed in order for the SK-2323-SPQ and SK-1323-SPQ to accept user codes.

**Note:** Deleting all users is recommended before changing the access mode to user card with user code. See page 13, *Deleting All Users*.

**3. Program a New Master Code.**

**Step 1**

Enter:

**\* 3**

**Step 2**

Enter new Master Code *twice*.

**X X X X X x2**

**4. Program an Output #1 User Code.**

**DEFAULT: No Output #1 user codes programmed**

**Step 1**

Enter a user ID number

**0 0 0** to **9 9 9**

**Step 2**

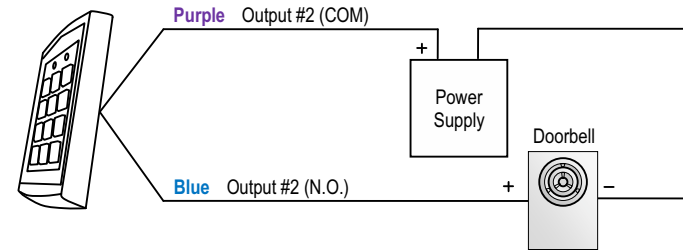
Enter a new user code.

**X X X X X**

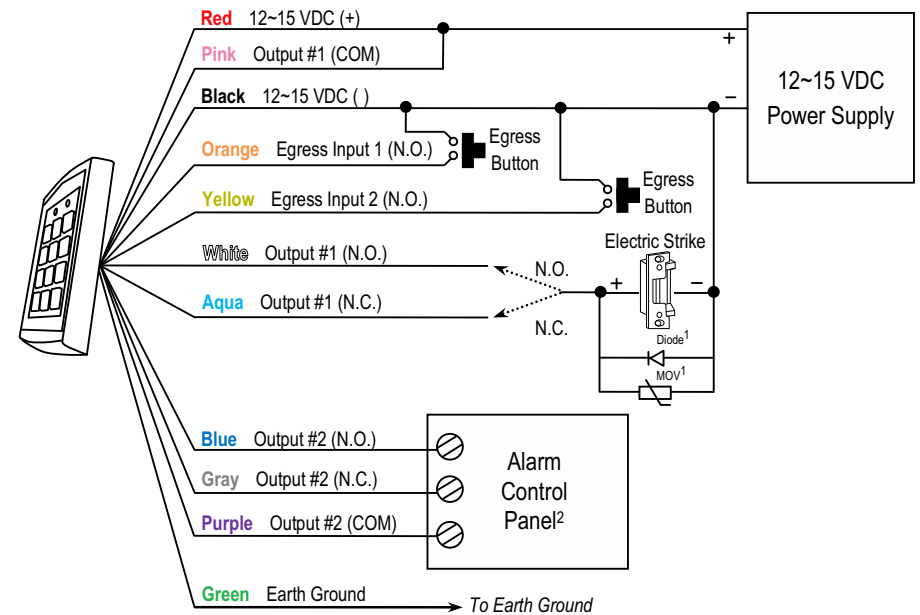
- Up to 1,000 Output #1 user codes can be programmed.
- Each code is assigned a unique 3 digit ID number from 000 to 999.
- An Output #1 user code may not be the same as the Master Code or any Output #2 user code.

**Connecting to a Doorbell**

If the keypad is connected to a doorbell, press **#** to activate the doorbell. The doorbell output lasts for 1 second. For instructions on how to program the keypad for doorbell, see page 12, *Programming the Output #2 Function*.



**Connection to Lock Device and Alarm System Arm/Disarm Control**



<sup>1</sup> Connect included diode and metal oxide varistor (MOV) as close as possible and in parallel with an electric strike. This absorbs possible electromagnetic interference to prevent operation of the strike from damaging the keypad. Do not connect diode or MOV when using electromagnetic locks.

<sup>2</sup> Output #2 controls the arm/disarm of the alarm control panel. Consult the alarm control panel manual for more information.

