

Weatherproof Door/Gate Strike

SD-995A-D3Q

Weatherproof, 1,034-lb Holding force, Fail-secure

Features:

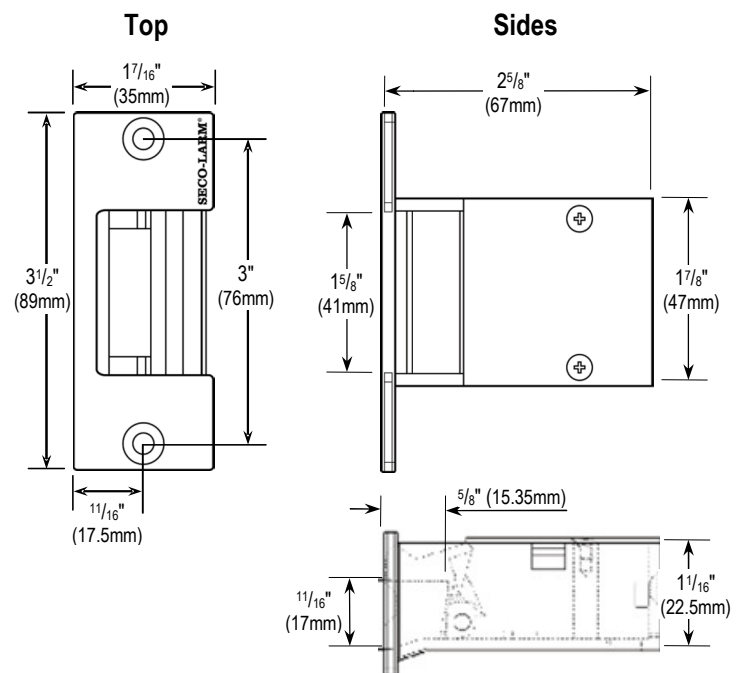
- Unique design accommodates both wood and metal doors
- Fail-secure operation
- Reversible for right or left-handed doors
- Zinc alloy body
- Corrosion-resistant case and moving parts
- Complete mounting hardware included
- Operating voltage: 12 VAC/VDC
- 1,034-lb (470kg) Holding force
- Tested to 250,000 cycles
- Current draw: 310mA@12VDC
- Strike depth: 9/16" (15mm)
- Faceplate size: 3 1/2"x1 7/16"x1 1/8" (89x35x3 mm)



Specifications:

| | |
|-----------------------|------------------------------------|
| Operation | Fail-secure |
| Operating voltage | 12 VAC/VDC |
| Current draw | 310mA@12VDC |
| Design | Reversible non-handed |
| Max. latch throw | 9/16" (15mm) |
| Keeper width | 1 5/8" (41mm) |
| Strike depth | 9/16" (15mm) |
| Holding force | 1,034-lb (470kg) |
| IP Rating | IP42 |
| Operating temperature | 14°~113° F (-10°~45° C) |
| Operating humidity | 0~95% RH (no condensation) |
| Faceplate dimensions | 3 1/2"x1 7/16"x1 1/8" (89x35x3 mm) |
| Weight | 12.1-oz (343g) |

Dimensions:



SECO-LARM® U.S.A., Inc.

16842 Millikan Avenue, Irvine, CA 92606

Phone: (949) 261-2999 | (800) 662-0800 Fax: (949) 261-7326

Website: www.seco-larm.com Email: sales@seco-larm.com



Copyright © 2017 SECO-LARM U.S.A., Inc. All rights reserved. All trademarks are the property of SECO-LARM U.S.A., Inc. or their respective owners. The SECO-LARM policy is one of continual development. For that reason, SECO-LARM reserves the right to change specifications without notice. SECO-LARM is not responsible for misprints.

SECO-LARM® ENFORCER® CRIMEBUSTER® CBA SLI®

PI_SD-995A-D3Q_170918.docx