

## FIX THE MOUNTING TABS - METAL DOORS

Using the two small (M4x12) screws and two of the black clips provided, fix the mounting tabs to the inside of the jamb (see fig. 5).

## PROGRAM FAIL-SECURE OR FAIL-SAFE

The unit can be programmed for fail-secure operation (when power is lost or cut, the door is locked) or fail-safe operation (when power is lost or cut, the door is unlocked). Default is fail-secure. To program for fail-safe, remove the flat screw in the fail-secure hole, push the round screw to the right until you see a hole appear in the fail-safe hole, and screw the flat screw into the fail-safe hole (see fig. 6).

## CONNECT WIRES AND INSULATE

Connect the two wires to the access control or egress device, such as a digital keypad, push-button switch, push bar, or other device. Polarity is not important. Insulate the wire connections carefully

## MOUNTING

Push all the wires into the door frame. If needed, cut away the dust catcher inside the frame, or carefully chip away part of the drywall, being careful not to hurt the wall. Use the two large (M5x12) screws to mount the unit to the mounting tabs. Adjust as needed to ensure the door closes smoothly every time someone passes through the protected opening. See fig. 7.

## TROUBLE SHOOTING

1. If the door does not release when the electric strike is activated — Open the door, and leave it open. Activate the electric strike to ensure if it is operating properly:
  - a. If the strike operates properly with the door open, the problem is probably a poor door latch, or the position of the electric strike needs to be adjusted by moving it or adding washers or shims. Test again.
  - b. If the strike does not operate properly with the door open, dismount the strike and check that the two wires are connected properly. Also ensure the wires are connected to the correct power supply (12VDC for SD-995C or SK-994C, 24VDC for SD-995C24 or SD-994C24). Test again.
  - c. Use a multimeter to test that the strike is receiving the proper voltage and amperage. If not, it may be necessary to use heavier gauge wires, or increase the output of the power supply.
  - d. If all the above tests do not locate the problem, then make sure the activation device (keypad, push-button switch, or whatever) is activating properly.
2. If the door does not lock properly when closed — This is probably a problem with the installation or with a bad door latch. In this case, it may be necessary to adjust the position of the strike, or possibly replace the latch.
3. For any other problems, replace the unit, and test again. The problem unit can also be substituted for a working unit in another door frame to see if it works there.

**WARRANTY:** ENFORCER Electric Door Strikes are warranted against defects in material and workmanship while used in normal service for a period of one (1) year from the date of sale to the original customer. Our obligation is limited to the repair or replacement of any defective part if the unit is returned, transportation pre-paid, to SECO-LARM.

## NOTICE

The information and specifications printed in this manual are current at the time of publication. However, the SECO-LARM policy is one of continual development and improvement. For this reason, SECO-LARM reserves the right to change specifications without notice. SECO-LARM is also not responsible for misprints or typographical errors.

Copyright © 2003 SECO-LARM U.S.A., Inc. All rights reserved. This material may not be reproduced or copied, in whole or in part, without the written permission of SECO-LARM.

## SECO-LARM® U.S.A., Inc.

16842 Millikan Avenue, Irvine, CA 92606 Website: [www.seco-larm.com](http://www.seco-larm.com)  
Tel: 800-662-0800 / 949-261-2999 Fax: 949-261-7326 E-mail: [sales@seco-larm.com](mailto:sales@seco-larm.com)

PTGW1  
SD995C24ElectricDoorStrikeMU.pmd

# Installation Manual

# ENFORCER®

## SD-995C - 12VDC

Electric Door Strike for Metal Doors

## SD-994C - 12VDC

Electric Door Strike for Wood Doors

Field programmable for Fail-Safe or Fail-Secure

SD-995C24 - 24VDC version of SD-995C

SD-994C24 - 24VDC version of SD-994C



SD-995C

SD-994C

- Converts cylindrical lock sets into an electronic access-controlled locking system.
- Field-programmable in just seconds for fail-secure or fail-safe applications.
- Can be used with virtually any cylindrical door locking system.
- Use with an optional digital keypad such as SECO-LARM's SK-983A or SK-983A100 for keyless high security.
- Suitable for office-type applications.
- Metal door: ANSI-sized –  
4<sup>7</sup>/<sub>8</sub>" x 1<sup>1</sup>/<sub>4</sub>" x 1<sup>1</sup>/<sub>4</sub>" (124 x 32 x 32 mm)
- Wood door: –  
7<sup>15</sup>/<sub>16</sub>" x 1<sup>7</sup>/<sub>16</sub>" x 1<sup>1</sup>/<sub>4</sub>" (202 x 36 x 32mm)
- Symmetrical-sized, reversible for right-hand or left-hand doors.
- Shallow design for use with most metal doors.
- Powered by a solenoid, not a buzzer coil.
- Jaw strength — 2,000 pounds.
- Stainless steel lip (keeper) for strength and long life.
- 250mA@12VDC current draw;  
150mA@24VDC current draw.
- Non-polarized connection. Wires can be reversed.
- Tested to 1 million cycles.
- Optional lip-extension bracket available.
- CE approved.

## MEASURE

Note: SD-995C and SD-994C are mounted the same way.

1. Latch line (see figure 1):
  - a. Measure the distance between the face of the door jamb and the face of the door latch. If the door latch has a deadlatch pin, ignore the deadlatch pin when measuring. This is the vertical latch distance.
  - b. Measure the vertical latch distance on the door jamb from the face of the door jamb. At that point, draw a vertical line. This is the latch line.
2. Center line (see fig. 2):
  - a. Measure the distance from the floor to the center of the door latch. Ignore the location of the deadlatch pin when measuring.
  - b. Measure that distance from the floor along the inside of the door jamb. At that point, draw a horizontal line. This is the center line.

## MOUNT THE TEMPLATE

Align and tape the template on the door jamb to the latch line and the center line, and tape it (see fig. 3).

## CUT

Cut into the door jamb as shown on the template (see fig. 4). Cut into the door jamb to a depth of 17mm. Toss or recycle the metal which was cut out.

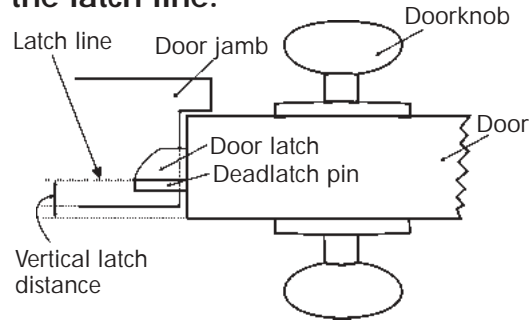
Note: If wood door, use a chisel to knock out a 3mm. (1/8 inch) deep space as shown on the template. (see fig. 4)

## DOUBLE-CHECK THE CUT

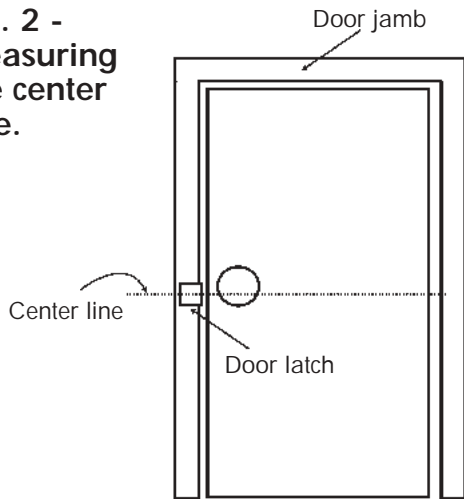
Place the unit in the hole, and make sure it fits properly. Make any adjustments.

# INSTALLATION INSTRUCTIONS

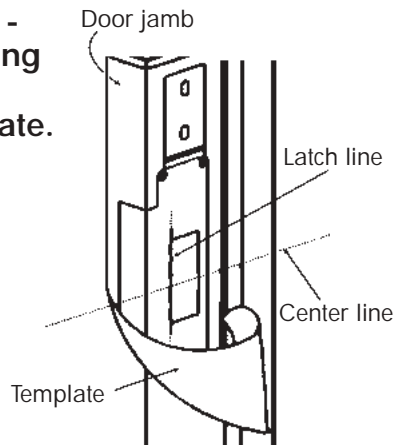
**Fig. 1 - Measuring the latch line.**



**Fig. 2 - Measuring the center line.**

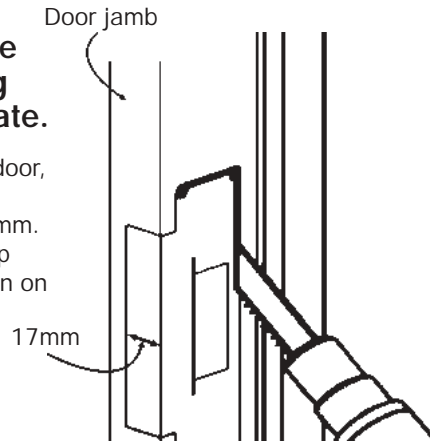


**Fig. 3 - Aligning the template.**

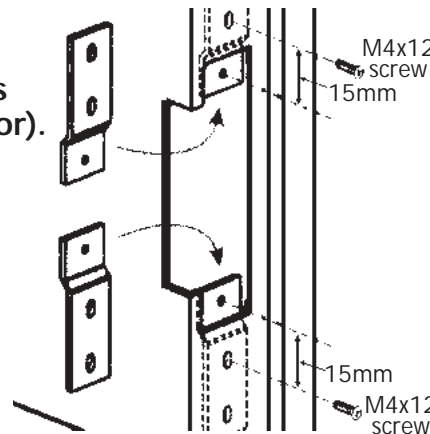


**Fig. 4 - Cutting the hole using the template.**

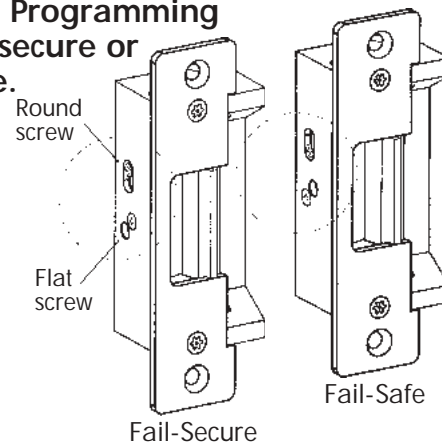
Note: If wood door, use a chisel to knock out a 3mm. (1/8 inch) deep space as shown on the template.



**Fig. 5 - Fixing the metal tabs (metal door).**

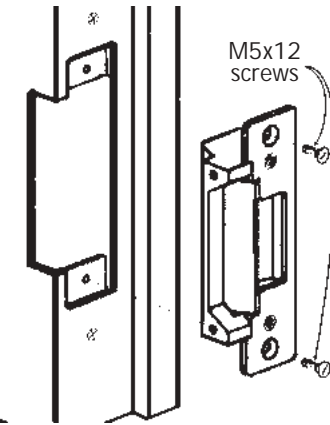


**Fig. 6 - Programming for fail-secure or fail-safe.**



**Fig. 7 - Mounting.**

Connect the wires and insulate before installing the strike.



## Dimensions

