

Wave-To-Open Sensors with Manual Override Button

SD-927PKC-NEVQ Manual Override, English

SD-927PKC-NSVQ Manual Override, Spanish

The ENFORCER Wave-To-Open Sensors use IR technology to request egress from a protected area or activate a device with the simple wave of a hand. Since no touch is required, this sensor is ideal for use in hospitals, clinics, labs, cleanrooms (to reduce the risk of contamination), schools, factories, or offices. The SD-927PKC-NEVQ adds a manual override button. Also available with Spanish (SD-927PKC-NSQ, SD-927PKC-NSVQ).

Features:

- Dual voltage, 12~24 VAC/VDC
- Range adjustable from 2³/₈"~8" (6~20 cm)
- Stainless steel single-gang plate 3A relay, adjustable from 0.5~30 sec, toggle, or as long as hand is near the sensor
- LED illuminated sensor area for easy identification
- Quick connect screw-less terminal block
- Selectable LED colors (turns from red to green or green to red) when activated
- Adds manual override button as a backup to the sensor



SD-927PKC-NEVQ



SD-927PKC-NSVQ

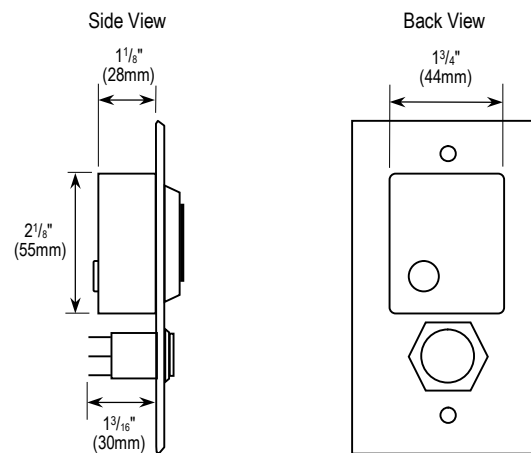


Specifications:

Model	SD-927PKC-NxVQ	
Operating voltage	12-24 VAC/VDC	
Current draw (max.)	120mA@12VDC	
Relay type	Form C dry contact, 3A@24VDC	
Override button	Switching capacity	3A@24VDC
	Mechanical life	500,000 cycles
Response time	10ms	
LEDS	Standby	Red*
	Triggered	Green*
Output time	Adjustable, 0.5~30 sec., toggle, or as long as sensor is triggered	
Sensing range	Adjustable, 2 ³ / ₈ "~8" (6-20 cm)	
Operating temperature	-4°~131° F (-20°~55° C)	
Weight	3.9-oz (110g)	

*Default, reversible by jumper

Dimensions:



SECO-LARM® U.S.A., Inc.

16842 Millikan Avenue, Irvine, CA 92606

Phone: (949) 261-2999 | (800) 662-0800 Fax: (949) 261-7326

Website: www.seco-larm.com Email: sales@seco-larm.com



Copyright © 2020 SECO-LARM U.S.A., Inc. All rights reserved.

All trademarks are the property of SECO-LARM U.S.A., Inc. or their respective owners. The SECO-LARM policy is one of continual development. For that reason, SECO-LARM reserves the right to change prices and specifications without notice. SECO-LARM is not responsible for misprints.

SECO-LARM® ENFORCER® CRIMEBUSTER® CBA® SLI®

PI_SD-927PKC-NxVQ_200812.docx