

ENFORCER[®]

NE-SE01-020Q

Passive Ethernet Extender over Coax

Manual



- 1 Channel Ethernet over coax
- 10/100 Mbps Full duplex
- Transmission distance:*
- Up to 650ft (200m)@10Mbps
- Up to 325ft (100m)@100Mbps
- Passive, no power required
- Built-in surge protection
- Fast and easy to install
- Sold as a set

*Actual transmission range will vary depending on equipment used and cable grade.

ENFORCER Passive Ethernet Extender over Coax

Introduction:

ENFORCER Passive Ethernet Extender over Coax is designed to extend the range of any TCP/IP device beyond the 300ft (100m) limit of Ethernet. The unit does not filter any protocols, codes, or applications, ensuring compatibility with any IP camera and its software.

Specifications:

Type		Passive Ethernet Extender over Coax
Range*	10Mbps (RG59)	Up to 650ft (200m)
	100Mbps (RG59)	Up to 325ft (100m)
Input connector		RJ-45
Output connector		BNC
Link cable		RG59/U or better
Ethernet speed		10/100 Mbps
Standard		IEEE802.3 10Base-T/100Base-T
Operating temperature		-4°~158° F (-20°~70° C)
Dimensions		2 ³ / ₈ "x1 ¹ / ₈ "x1 ³ / ₁₆ " (60x29x20 mm) (Excluding pigtail)

*Actual transmission range will vary depending on equipment used and cable grade.

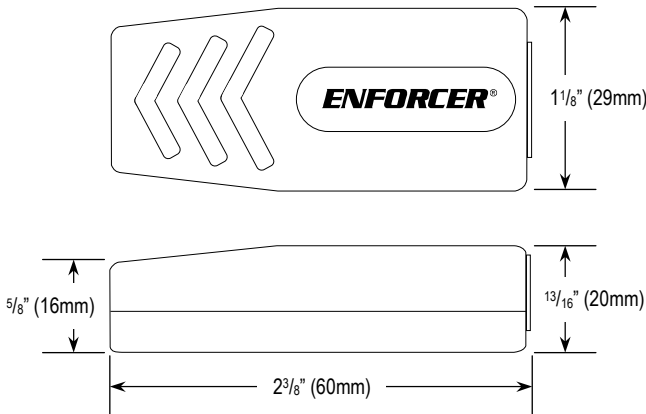
Parts List:

2x Passive Ethernet Extenders

1x Manual

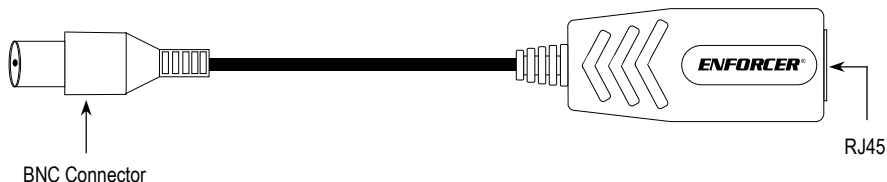
Dimensions:

Note: Pigtail length is 5" (127mm)



Note: Both Ethernet extender units are the same size.

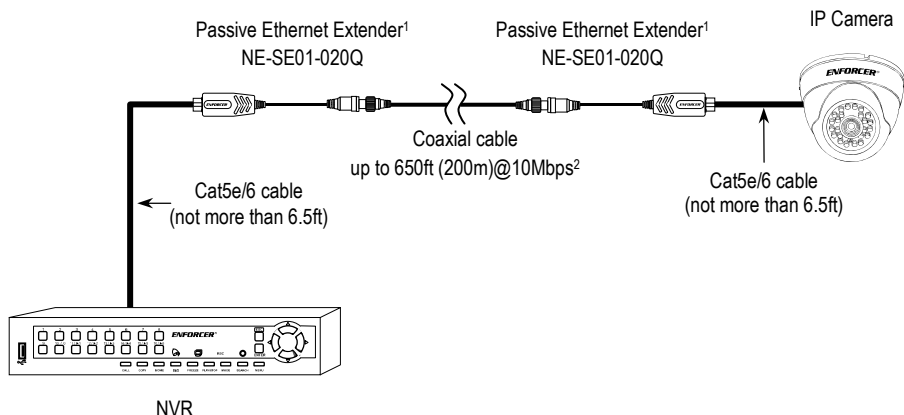
Overview:



Installation:

1. Determine the location where the units will be placed as well as how much cable will be required.
2. Connect one unit to an IP camera or other TCP/IP output device using Cat5e/6 cable of not more than 6.5ft (2m).
3. Connect one unit to a DVR, PC or other TCP/IP receiving device using Cat5e/6 cable of not more than 6.5ft (2m).
Connect via the Ethernet port found on the front of the Passive Ethernet Extender.
4. Run a coax cable between the two Passive Ethernet Extenders and connect both ends.
5. Switch on the IP source (i.e. CCTV camera) and verify that the system is functioning properly.

Sample Application:



¹ The passive Ethernet extender units are bidirectional transceivers. It can operate as a transmitter and receiver.

² Actual transmission range will vary depending on equipment used and cable grade.

ENFORCER Passive Ethernet Extender over Coax

Troubleshooting:

IP Device does not function correctly.

- Make sure the Passive Ethernet Extender is connected on both sides.
- Make sure the IP source and DVR or PC are powered.
- Test the coaxial cable between the units and make sure it is functional.
- Make sure that there are no problems with the IP device, cables, or DVR by plugging the IP device directly into the DVR or PC using the Cat5e/6 cables.
- Make sure that the cables do not exceed the maximum distance (see pages 2 and 3 for more details).

Also Available from SECO-LARM:



Passive VGA Balun
MVE-SV010Q



Passive Video Baluns
EB-P501-01Q



HDMI to VGA Converter
MVA-HV01Q



HDMI Extender over Coax
MVE-AA11-01NQ



CCTV Power Supplies
EVP-1SA4P9UL



Ethernet over Coax w/ PoE
NE-AE01-030TQ

LIMITED WARRANTY: This SECO-LARM product is warranted against defects in material and workmanship while used in normal service for one (1) year from the date of sale to the original customer. SECO-LARM's obligation is limited to the repair or replacement of any defective part if the unit is returned, transportation prepaid, to SECO-LARM. This Warranty is void if damage is caused by or attributed to acts of God, physical or electrical misuse or abuse, neglect, repair or alteration, improper or abnormal usage, or faulty installation, or if for any other reason SECO-LARM determines that such equipment is not operating properly as a result of causes other than defects in material and workmanship. The sole obligation of SECO-LARM and the purchaser's exclusive remedy, shall be limited to the replacement or repair only, at SECO-LARM's option. In no event shall SECO-LARM be liable for any special, collateral, incidental, or consequential personal or property damage of any kind to the purchaser or anyone else.

NOTICE: The information and specifications printed in this manual are current at the time of publication. However, the SECO-LARM policy is one of continual development and improvement. For this reason, SECO-LARM reserves the right to change specifications without notice. SECO-LARM is also not responsible for misprints or typographical errors. Trademarks are the property of SECO-LARM USA Inc. or their respective owners.

Copyright © 2015 SECO-LARM U.S.A., Inc. All rights reserved. This material may not be reproduced or copied, in whole or in part, without the written permission of SECO-LARM.

SECO-LARM® U.S.A., Inc.

16842 Millikan Avenue, Irvine, CA 92606

Phone: (949) 261-2999 | (800) 662-0800

Website: www.seco-larm.com

Email: sales@seco-larm.com

 PICFN1

MINE-SE01-020Q_150326.docx