

## IR Adapter over HDMI

### MVE-PN11-01Q



#### Features:

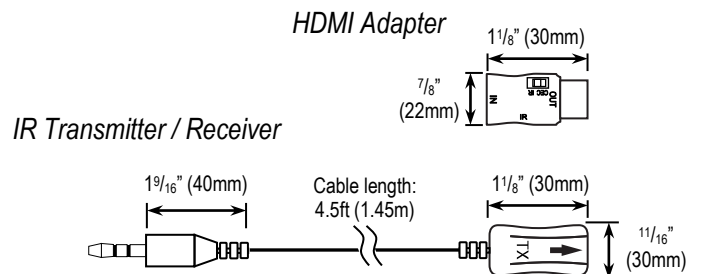
- Add IR remote pass-through to installations where an HDMI source is in a different room than the HDMI display using existing HDMI cables
- Discreet, convenient design – adapters install between the devices and the HDMI cables
- IR Transmitter and receiver are each built with a 4.5ft (1.45m) cord for added convenience while installing
- Compatible with other ENFORCER products (sold separately): 4x1 HDMI Switch (**MVS-AH41-01NQ**), 1x4 HDMI Splitter (**MVD-AH14-01NQ**), and 4x4 HDMI Matrix (**MVM-AH44-01YQ**)
- Includes 2 HDMI adapters, 1 IR transmitter, and 1 IR receiver



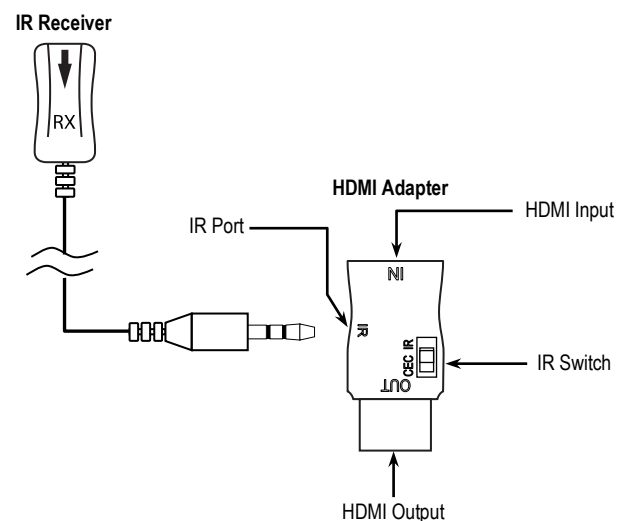
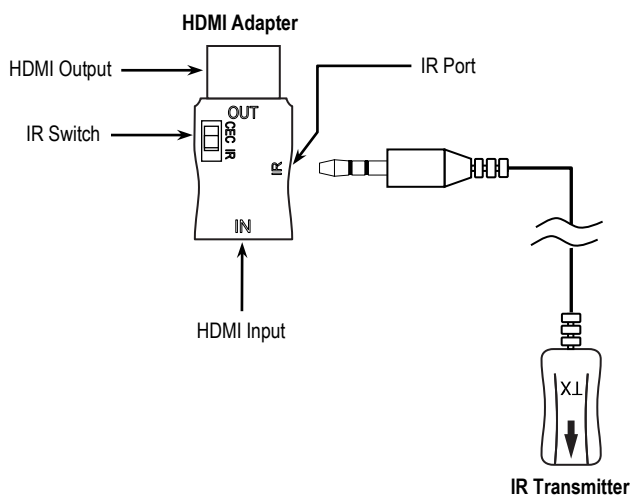
#### Specifications:

Model	<b>MVE-PN11-01Q</b>	
Type	IR over HDMI Kit	
Video formats supported	High-speed HDMI with 3D, HDCP 1.2	
Frequency	33–60 kHz (Dual band)	
Dimensions	IR Transmitter	1 1/8" x 1 1/16" x 1/2" (30x18x12 mm)
	IR Receiver	1 1/8" x 1 1/16" x 1/2" (30x18x12 mm)
	HDMI Adapter	1 1/8" x 7/8" x 3/8" (30x22x10 mm)
	Cable	4.5' (1.45m)
	Jack	3.5mm
Weight	2.2-oz (62g)	

#### Dimensions:



#### Overview:



**SECO-LARM® U.S.A., Inc.**

16842 Millikan Avenue, Irvine, CA 92606

Phone: (949) 261-2999 | (800) 662-0800 Fax: (949) 261-7326

Website: [www.seco-larm.com](http://www.seco-larm.com) Email: [sales@seco-larm.com](mailto:sales@seco-larm.com)



Copyright 2014 © SECO-LARM U.S.A., Inc. All rights reserved.

The SECO-LARM policy is one of continual development. For that reason, SECO-LARM reserves the right to change prices and specifications without notice. SECO-LARM is not responsible for misprints.

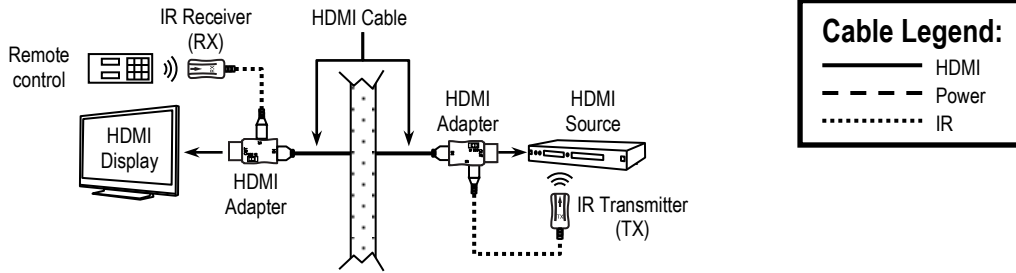
**SECO-LARM® ENFORCER® CRIMEBUSTER® CBA SLI®**

Pi\_MVE-PN11-01NQ\_1404\_d.docx

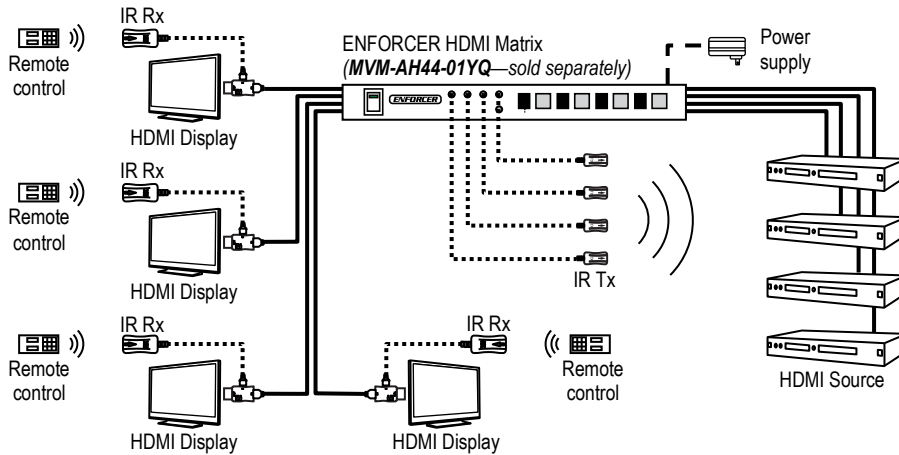
## IR Adapter over HDMI

### Sample Application:

Display connected to source in another room



Multiple sources and displays connected to an HDMI matrix



### Also Available from SECO-LARM:

#### ENHANCED Extenders for HDMI



MVE-AT11-01NQ

#### 4x1 HDMI Switch



MVS-AH41-01NQ

#### 1x4 HDMI Splitter



MVD-AH14-01NQ

#### 4x4 HDMI Matrix



MVM-AH44-01YQ

#### Wireless Extender for HDMI



MVE-WH010Q

#### High-Speed HDMI Cables



MC-1102 Series  
9 Sizes available: 1.5ft~50ft

### SECO-LARM® U.S.A., Inc.

16842 Millikan Avenue, Irvine, CA 92606

Phone: (949) 261-2999 | (800) 662-0800 Fax: (949) 261-7326

Website: www.seco-larm.com Email: sales@seco-larm.com



Copyright 2014 © SECO-LARM U.S.A., Inc. All rights reserved.

The SECO-LARM policy is one of continual development. For that reason, SECO-LARM reserves the right to change prices and specifications without notice. SECO-LARM is not responsible for misprints.

SECO-LARM® ENFORCER® CRIMEBUSTER® CBA SLI®

Pi\_MVE-PN11-01NQ\_1404\_d.docx