

# ENFORCER®

## MVE-PN11-01Q

### IR over HDMI Kit

## Manual



**HDMI**®  
HIGH-DEFINITION MULTIMEDIA INTERFACE



- Add IR remote pass-through to installations where an HDMI source is in a different room than the HDMI display using existing HDMI cables.
- Discreet, convenient design—adapters install between the devices and the HDMI cables.
- IR Transmitter and receiver are built with a 4.5ft (1.45m) cord for added convenience while installing.
- Compatible with other ENFORCER products (sold separately):  
4x1 HDMI Switch (MVS-AH41-01NQ), 1x4 HDMI Splitter (MVD-AH14-01NQ),  
and 4x4 HDMI Matrix (MVM-AH44-014Q)

**SECO-LARM® SLI**

FC CE RoHS

Note: Products with model numbers that end with "Q" or that have a round green "Q" sticker are RoHS compliant.

**Introduction:**

The ENFORCER IR over HDMI Kit is the ideal solution for installations where a DVR, Blu-Ray player, or other HDMI source is in a different room or location than the HDMI display. The adapter's discreet and convenient design installs between the device and the HDMI cable. The IR transmitter and receiver are each built with a 4.5ft (1.45m) cable for an easy and clean installation.

**Specifications:**

Model	MVE-PN11-01Q		
Type	IR over HDMI Kit		
Video formats supported	High-speed HDMI with 3D, HDCP 1.2		
Frequency	33-60 kHz (Dual band)		
Dimensions	IR Transmitter	1 1/8" x 1 1/16" x 1/2" (30x18x12 mm)	
	IR Receiver	1 1/8" x 1 1/16" x 1/2" (30x18x12 mm)	
	HDMI Adapter	1 1/8" x 7/8" x 3/8" (30x22x10 mm)	
	Cable	4.5' (1.45m)	
	Jack	3.5mm	
Weight	2.2-oz (62g)		

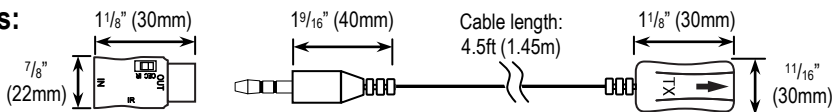
**Parts List:**

2x HDMI Adapters

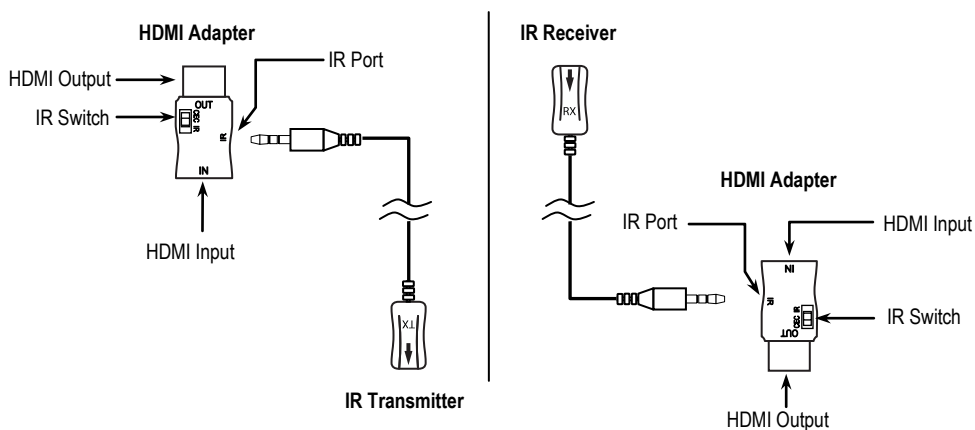
1x IR Transmitter

1x IR Receiver

**Dimensions:**



**Overview:**



**IR Switch:**

Always make sure the IR switch is switched to "IR".



## Installation:

**Note:** If using the IR over HDMI Kit with the 4x1 HDMI Switch (MVS-AH41-01NQ), 1x4 HDMI Splitter (MVD-AH14-01NQ), or 4x4 HDMI Matrix (MVM-AH44-014Q), please consult that product's manual before installing.

### HDMI Source

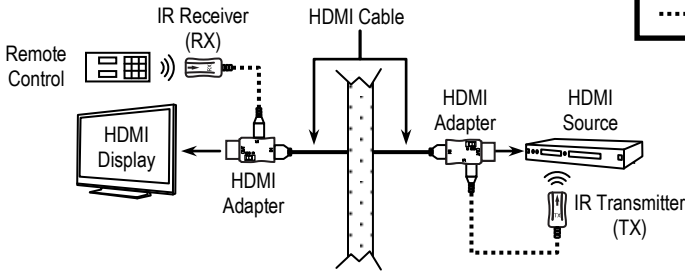
1. Connect one of the HDMI adapters directly to the HDMI output of the HDMI source.
2. Make sure the IR switch on the HDMI adapter is switched to "IR".
3. Connect an HDMI cable to the back of the adapter.
4. Connect the IR transmitter to the IR port of the adapter.
5. Position the IR transmitter so that it can transmit signals to the IR sensor on the HDMI source.

### HDMI Display

1. Connect one of the HDMI adapters directly to the HDMI input of the HDMI display.
2. Make sure the IR switch on the HDMI adapter is switched to "IR".
3. Connect an HDMI cable to the back of the adapter.
4. Connect the IR receiver to the IR port of the adapter.
5. Position the IR receiver so that it can receive signals from the HDMI source's remote.

## Sample Applications:

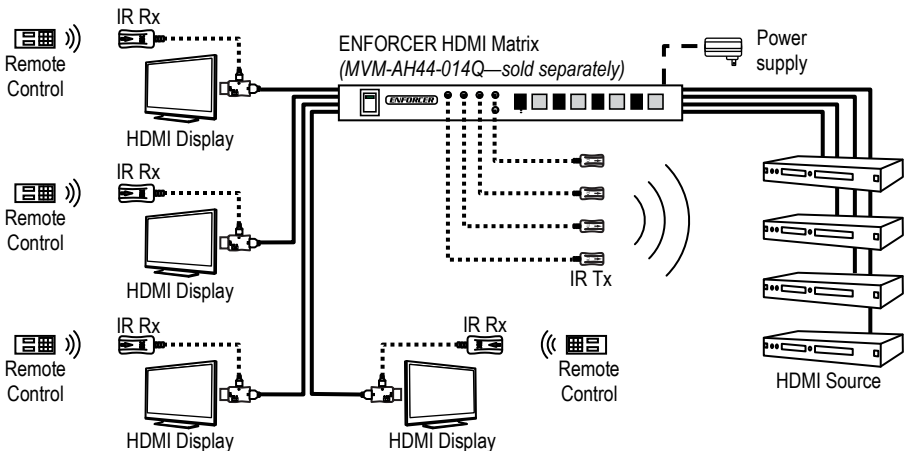
*Display connected to source in another room*



### Cable Legend:

	HDMI
	Power
	IR

*Multiple sources and displays connected to an HDMI matrix*



Also Available from SECO-LARM:

**ENHANCED** Extenders  
for HDMI



MVE-AT11-01NQ



MVE-AT11-W1NQ

Wireless Extender for HDMI



MVE-WH010Q

4x4 HDMI Matrix



MVM-AH44-014Q

4x1 HDMI Switch



MVS-AH41-01NQ

1x4 HDMI Splitter



MVD-AH14-01NQ

High-Speed HDMI Cables



Troubleshooting:

Remote is not working

- Check all connections.
- Make sure the IR switch is flipped to "IR".
- Make sure the remote is pointed at the IR receiver.
- Make sure the IR transmitter is pointed at the HDMI source.

HDMI, the HDMI Logo and High-Definition Multimedia Interface are trademarks or registered trademarks of HDMI Licensing LLC in the United States and other countries.

**WARRANTY:** This SECO-LARM product is warranted against defects in material and workmanship while used in normal service for a period of one (1) year from the date of sale to the original consumer customer. SECO-LARM's obligation is limited to the repair or replacement of any defective part if the unit is returned, transportation prepaid, to SECO-LARM.

This Warranty is void if damage is caused by or attributed to acts of God, physical or electrical misuse or abuse, neglect, repair, or alteration, improper or abnormal usage, or faulty installation, or if for any other reason SECO-LARM determines that such equipment is not operating properly as a result of causes other than defects in material and workmanship.

The sole obligation of SECO-LARM, and the purchaser's exclusive remedy, shall be limited to replacement or repair only, at SECO-LARM option. In no event shall SECO-LARM be liable for any special, collateral, incidental, or consequential personal or property damages of any kind to the purchaser or anyone else.

**NOTICE:** The information and specifications printed in this manual are current at the time of publication. However, the SECO-LARM policy is one of continual development and improvement. For this reason, SECO-LARM reserves the right to change specifications without notice. SECO-LARM is also not responsible for misprints or typographical errors.

Copyright © 2013 SECO-LARM U.S.A., Inc. All rights reserved. This material may not be reproduced or copied, in whole or in part, without the written permission of SECO-LARM.

**SECO-LARM® U.S.A., Inc.**

16842 Millikan Avenue, Irvine, CA 92606

Tel: (949) 261-2999 | (800) 662-0800

Website: [www.seco-larm.com](http://www.seco-larm.com)

Email: [sales@seco-larm.com](mailto:sales@seco-larm.com)



MIMVE-PN11-01Q\_1404.docx