

VGA to HDMI Converter

MVA-VH01Q

The MVA-VH01Q converts both VGA and stereo signals into HDMI format, allowing video and audio from VGA sources such as computers to play on HDTVs.

Features:

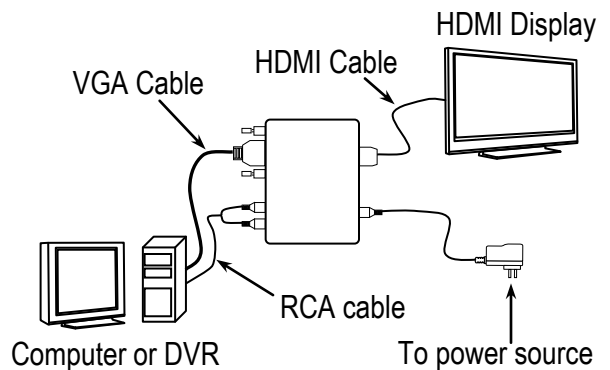
- ▶ Converts VGA formats to HDMI.
- ▶ Supports resolution up to 1280x1024.
- ▶ Audio input allows conversion of audio.
- ▶ HDCP Pass-through.
- ▶ 5VDC Power adapter included.
- ▶ Plug and play operation—no setup necessary.



Specifications:

Supported resolutions	640x480; 800x600; 1024x768; 1280x720; 1280x768; 1280x960; 1280x1024
Video input signal	0.5~1Vp-p
DDC input signal	5Vp-p
Output video	HDMI 1.2a
Vertical frequency range	50/60Hz
Video amplifier bandwidth	1.65Gpbs/165MHz
Operating temperature	32°~158° F (0°~70° C)
Operating humidity	5%~95% RH (no condensation)
Current draw	1A
Dimensions	3 1/2" x 2 5/8" x 1" (88x68x25.5 mm)
Weight	24-oz (680g)

Sample Application:



Also Available from SECO-LARM:

MVE-AH020Q



HDMI over Cat5e/6

MVA-EH01Q



Component to HDMI

MVD-V1501-1Q



VGA over Cat5e/6

MC-1101-19FQ



HDMI Cable

SECO-LARM

16842 Millikan Avenue
Irvine, CA 92606

Tel: 1-949-261-2999

1-800-662-0800

Fax: 1-949-261-7326

Web: www.seco-larm.com

Email: info@seco-larm.com



Copyright © 2010
SECO-LARM U.S.A., Inc.
All rights reserved