

ENFORCER[®]

EV-6600-N2BQ (NTSC)

EV-6600-P2BQ (PAL)

12-Inch Mirror Camera

Manual



- Camera is mounted behind a mirror for discreet monitoring
- 1/3" Sony Super HAD II CCD
- 600 TV Lines
- 2.8mm Lens
- 12VDC Operation

SECO-LARM *SLI*



Note: Products with model numbers that end with "Q" or that have a round green "Q" sticker are RoHS compliant.

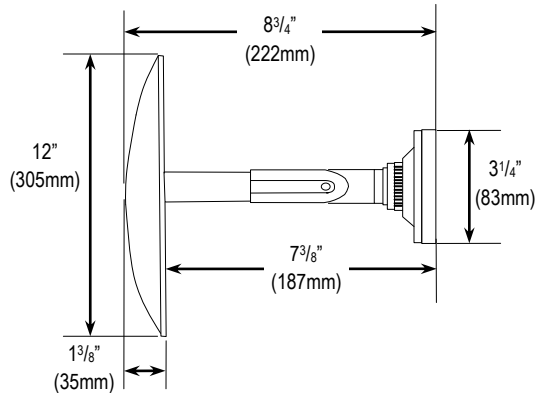
Specifications:

Model #	EV-6600-N2BQ	EV-6600-P2BQ
Type	12" Mirror Camera	
CCD	1/3" Sony Super HAD II CCD	
Resolution	600 TVL	
Size (Diameter)	12" (305mm)	
Lens	2.8mm	
Pickup elements	768 x 494 pixels	752 x 582 pixels
Video output format	NTSC	PAL
Sync	Internal	
Video output	1Vp-p composite video, 75Ω	
Minimum illumination	0.1 Lux	
S/N ratio	>48dB	
Shutter control	Max 1 / 100,000 sec.	
Gain control	Auto	
White balance	Auto	
Back light compensation	Built-in	
Current draw	67mA	
Operating voltage	12VDC	
Operating temperature	14°~122° F (-10°~50° C)	
Weight	32-oz (907g)	

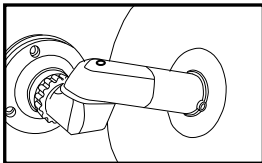
Parts List:

- 1 x Camera
- 1 x Manual
- 1 x DC Plug with terminal block
- 3 x Mounting screws
- 3 x Screw anchors

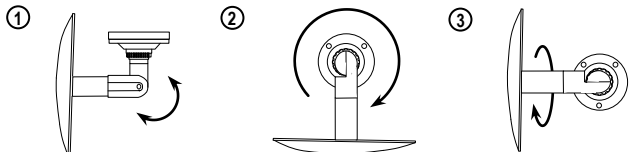
Dimensions:



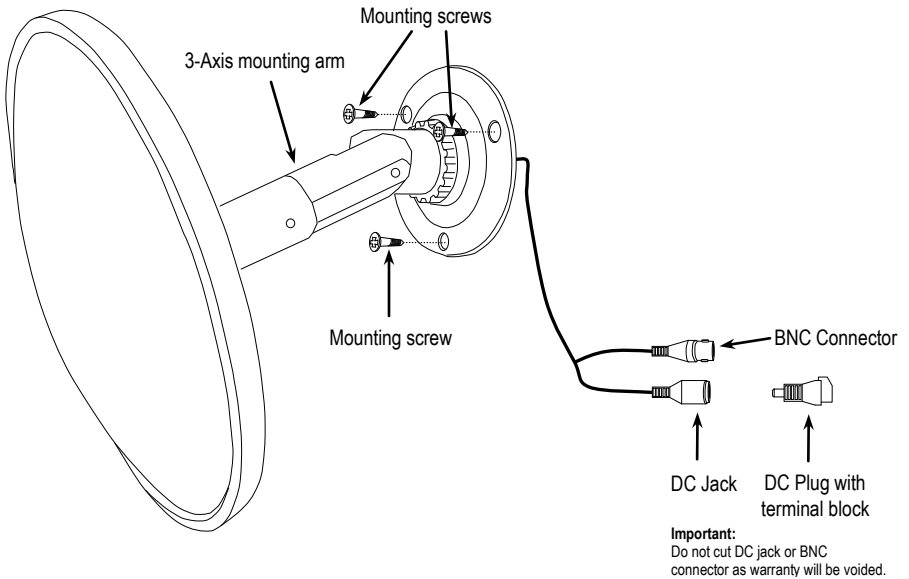
3-Axis Mounting Arm:



The mounting arm set screws can be loosened in two places to adjust the camera angle. The adjustment ring at the base can also be adjusted.



Overview:



Before Starting:

1. Please read this manual carefully and keep it for future reference.
2. Use the camera within given temperature and electrical limits.
3. Do not point the camera at the sun. Heat could damage the camera, even when not in use.
4. Do not mount the camera in areas exposed to radiation, strong magnetic fields, or strong electrical signals
5. Do not open or disassemble the camera. There are no field-serviceable parts inside.
6. Do not drop the camera or subject it to strong vibrations.
7. Keep the mirror surface clean.
8. Use a mild detergent and a soft clean cloth to clean the mirror surface.

Installation:

1. Run a 12VDC power supply wire and a video cable with a male BNC connector through the wall to where the camera is to be mounted.
2. Temporarily connect the camera to the power supply. **Do not cut the DC jack or the female BNC connector as the warranty will be voided. If needed, use the included SECO-LARM DC plug with terminal block.**
3. Connect the BNC connector to a test monitor.
4. While watching the monitor, hold the camera against the wall or ceiling by hand where it is to be mounted, then turn the camera until it is certain that this mounting location is correct. Use a pencil to mark the location of the three screw holes in the mounting arm.
5. Disconnect the power supply and BNC connector.
6. Mount the camera to the wall or ceiling using the three included mounting screws. If the wall is made of drywall, brick, or similar material, it may be necessary to use screw anchors.
7. Adjust the camera angle. See "3-Axis Mounting Arm" on page 2.
8. Reconnect the power supply and BNC connector.
9. Do a final test of the video camera and monitor.

Troubleshooting:

The screen is blank.	<ul style="list-style-type: none">• Check that the camera is powered up.• Check that the power supply's polarity is correct.• Check that the monitor is powered up.• Check that the video cable connecting the camera to the monitor is connected properly.
The screen image is dim.	<ul style="list-style-type: none">• Clean the mirror using a soft, clean cloth.• Check that the light source is adequate.
The screen image has poor contrast.	<ul style="list-style-type: none">• Adjust the monitor's contrast knob.• Change the position of the camera.
The screen image flickers.	<ul style="list-style-type: none">• Change the position of the camera.
The screen image is distorted.	<ul style="list-style-type: none">• Change the position of the camera.
The camera case is hot.	<ul style="list-style-type: none">• Check that the correct power supply is in use.

IMPORTANT

Users and installers of this product are responsible for ensuring this product complies with all national, state, and local laws and statutes related to monitoring and recording audio and video signals. SECO-LARM will not be held responsible for the use of this product in violation of any current laws or statutes.

WARNING

Stop using the camera if you see a malfunction such as smoke or unusual heat, as it could cause fire or electric shock. Do not open the case of this device, as there are no field-serviceable components inside.

FCC COMPLIANCE STATEMENT

Information to the user: This equipment has been tested and found to comply with the limits for a class B digital device, pursuant to part 15 of the FCC rules. These limits are designed to provide reasonable protection against harmful interference when the equipment is operated in a commercial environment. This equipment generates, uses, and can radiate radio frequency energy and, if not installed and used in accordance with the instruction manual, may cause harmful interference to radio communications. Operation of this equipment in a residential area is likely to cause harmful interference in which case the user will be required to correct the interference at his or her own expense.

WARRANTY: This SECO-LARM product is warranted against defects in material and workmanship while used in normal service for a period of one (1) year from the date of sale to the original consumer customer. SECO-LARM's obligation is limited to the repair or replacement of any defective part if the unit is returned, transportation prepaid, to SECO-LARM.

This Warranty is void if damage is caused by or attributed to acts of God, physical or electrical misuse or abuse, neglect, repair, or alteration, improper or abnormal usage, or faulty installation, or if for any other reason SECO-LARM determines that such equipment is not operating properly as a result of causes other than defects in material and workmanship. Scratches, cracks, and any other damage to the mirror are not covered in the Warranty.

The sole obligation of SECO-LARM, and the purchaser's exclusive remedy, shall be limited to replacement or repair only, at SECO-LARM's option. In no event shall SECO-LARM be liable for any special, collateral, incidental, or consequential personal or property damages of any kind to the purchaser or anyone else.

NOTICE

The information and specifications printed in this manual are current at the time of publication. However, the SECO-LARM policy is one of continual development and improvement. For this reason, SECO-LARM reserves the right to change specifications without notice. SECO-LARM is also not responsible for misprints or typographical errors.

Copyright © 2012 SECO-LARM U.S.A., Inc. All rights reserved. This material may not be reproduced or copied, in whole or in part, without the written permission of SECO-LARM.

SECO-LARM U.S.A., Inc.

16842 Millikan Avenue, Irvine, CA 92606

Tel: 800-662-0800 / 949-261-2999 Fax: 949-261-7326

Website: www.seco-larm.com

E-mail: sales@seco-larm.com

 PICZN1

MIEV-6600-x2BQ_1210.docx