

### DNR/DWDR/IR NVD Bullet Cameras

With 4-Axis Mounting Arm

**EV-1726-NKGQ** 2.8~12mm lens, 600TVL

**EV-1726-NWGQ** 6~50mm lens, 600TVL

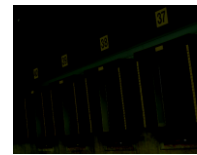
#### Features:

- ▶ 600 TV Lines
- ▶ 1/3" Sony Super HAD II CCD
- ▶ 56 IR LEDs
- ▶ Dual voltage: 12VDC or 24VAC
- ▶ DC Auto Iris varifocal lens with ICR
- ▶ Built-in service monitor port
- ▶ Weatherproof (IP66)
- ▶ 256x Digital Slow Shutter (DSS) amplifies existing light to capture images in almost total darkness
- ▶ On-screen display (OSD) for convenient programming of features such as:
  - Motion detection to highlight moving objects
  - High Spotlight Back Light Compensation (HSBLC) blacks out bright areas on screen
  - 3DNR (DNR with 3D filtering)



#### IR LEDs

IR LEDs Off



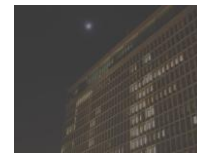
IR LEDs On



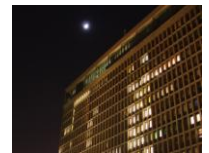
Produces a clear image in total darkness

#### Digital Noise Reduction (DNR)

DNR Off



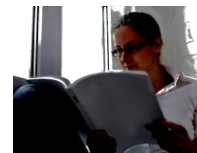
DNR On



Cleans and sharpens images by reducing camera noise

#### Digital Wide Dynamic Range (DWDR)

DWDR Off

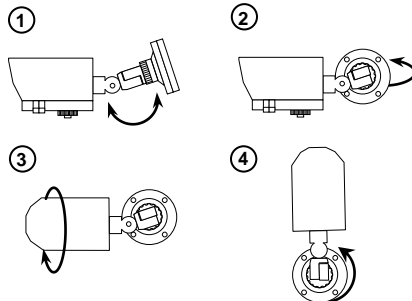
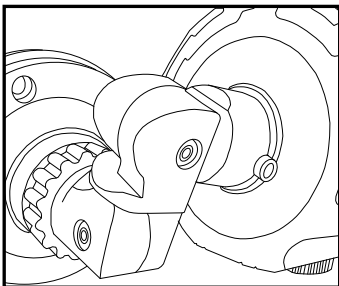


DWDR On



Captures a clean, high-resolution image, even with strong backlight

#### 4-Axis Mounting Arm:



#### SECO-LARM

16842 Millikan Avenue  
Irvine, CA 92606

Tel: 1-949-261-2999

1-800-662-0800

Fax: 1-949-261-7326

Web: [www.seco-larm.com](http://www.seco-larm.com)

Email: [info@seco-larm.com](mailto:info@seco-larm.com)



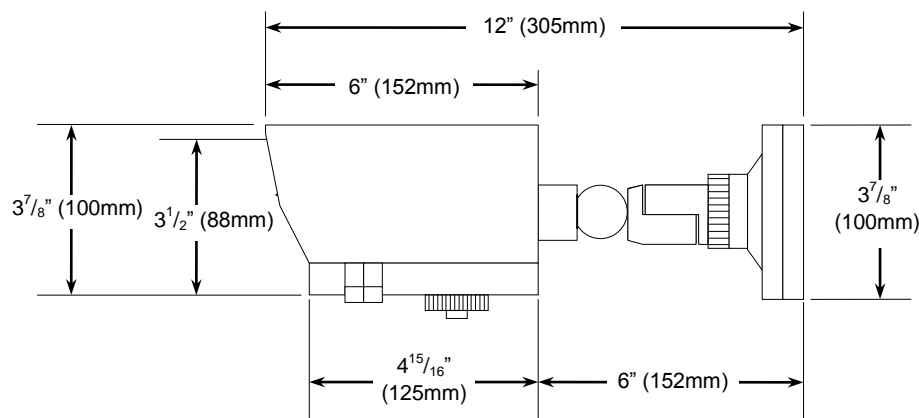
Copyright © 2012  
SECO-LARM U.S.A., Inc.  
All rights reserved

### Specifications:

Model	EV-1726-NKGQ	EV-1726-NWGQ
Type	IR LED Bullet Camera	
Pickup Element	1/3" Sony Super HAD II CCD	
Resolution	600 TV lines	
Lens (DC Auto Iris)	2.8~12mm	6~50mm
# of Infrared LEDs	56 (850nm)	
Effective Pixels	768x494 pixels	
NTSC		
Video Output	1Vp-p composite video, 75Ω	
Minimum Illumination	0.00006 Lux (LEDs on)	0.05 Lux (LEDs off)
S/N Ratio	>52dB (AGC OFF)	
On Screen Display (OSD)	Built-in and controlled by internal joystick	
Motion Detection	4 zones	
Backlight Compensation	HLC/BLC/Off	
White Balance	ATW / AWC / MANUAL (1800°~10,500° K)	
Digital Slow Shutter (DSS)	256x	
Electronic Shutter	Auto/Manual (adjustable range: 1/60~1/120,000 sec)	
Auto Gain	Selectable: Low, Middle, High, Off	
3-DNR (DNR with 3D filtering)	On/Off (adjustable range: 0~100)	
Day & Night (Color)	Selectable: Color, Auto, B/W	
Sharpness	On/Off (adjustable range: 0~31)	
Privacy	On/Off (8 programmable zones)	
IP Rating	IP66	
Operating Voltage	12VDC/24VAC Dual Voltage	
Current Draw	LEDs OFF	12VDC: 200mA / 24VAC: 3.6W
	LEDs ON	12VDC: 600mA / 24VAC: 12W
Operating Temperature	14°~122° F (-10°~50° C)	
Dimensions (LxWxH)	12"x3 <sup>7</sup> / <sub>8</sub> "x3 <sup>7</sup> / <sub>8</sub> " (305x100x100 mm)	

Note: PAL versions also available as special-order items. Contact SECO-LARM for details.

### Dimensions:



**SECO-LARM**

16842 Millikan Avenue  
Irvine, CA 92606

Tel: 1-949-261-2999

1-800-662-0800

Fax: 1-949-261-7326

Web: [www.seco-larm.com](http://www.seco-larm.com)

Email: [info@seco-larm.com](mailto:info@seco-larm.com)

FC CE RoHS

Copyright © 2012  
SECO-LARM U.S.A., Inc.  
All rights reserved