

## 80-lb. Mini Electromagnetic Lock

Now with **LIFETIME LIMITED WARRANTY!\***

E-941SA-80Q

- ▶ **Miniature Size:**  
2<sup>3</sup>/<sub>4</sub>" x 3<sup>3</sup>/<sub>4</sub>" x 1<sup>1</sup>/<sub>4</sub>"
- ▶ **For spaces where small size is required including cabinets, drawers, etc.**

\*Contact SECO-LARM for details. Applies in U.S.A. & Canada only.



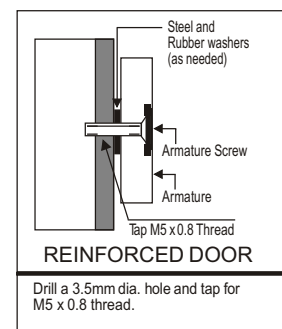
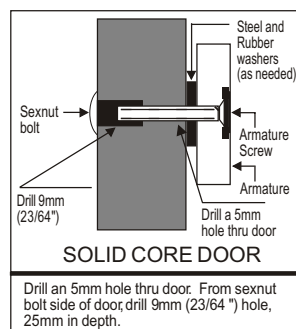
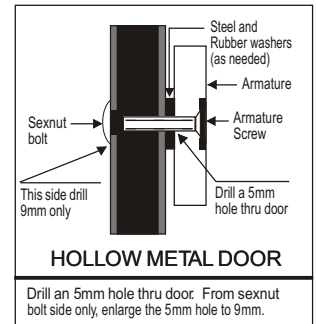
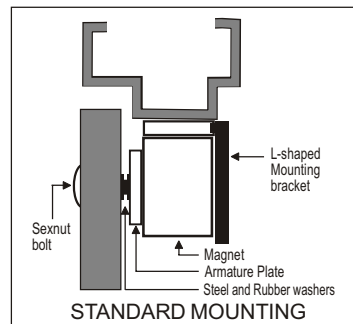
### Features:

- ▶ Low current drain.
- ▶ Dual voltage: 12 or 24 VDC.
- ▶ No residual magnetism.
- ▶ Detachable mounting bracket.
- ▶ MOV surge protection.
- ▶ Mounting hardware included.

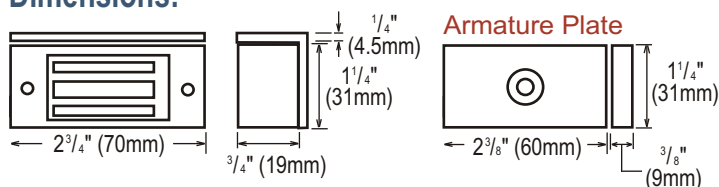
### Technical Specifications:

	E-942FC-1K3SQ
Power	12~24VDC
Magnet Size	2 <sup>3</sup> / <sub>4</sub> x 1 <sup>1</sup> / <sub>4</sub> x 1 <sup>3</sup> / <sub>16</sub> in. (70 x 31 x 20 mm)
Armature Size	2 <sup>3</sup> / <sub>8</sub> x 1 <sup>1</sup> / <sub>4</sub> x 2 <sup>3</sup> / <sub>64</sub> in. (60 x 31 x 9 mm)
Holding Force	80 lb. (36kg.) @ 12VDC 110lb. (51Kg.) @ 24VDC
Current Drain	85mA @ 12VDC 165mA @ 24VDC
Voltage Tolerance	± 10%
Housing	Aluminum
Temperature	14°F to 131°F (-10°C to 55°C)
Weight	0.90 lb. (410 grams)

### Installation:



### Dimensions:



Copyright 2011 SECO-LARM U.S.A., Inc. All rights reserved.

The SECO-LARM policy is one of continual development. For that reason, SECO-LARM reserves the right to change prices and specifications without notice. SECO-LARM is not responsible for misprints.