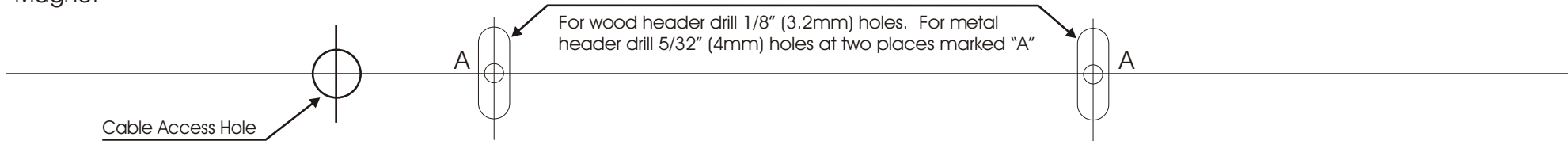


TEMPLATE FOR SECO-LARM E-941DA-1K2P

Magnet



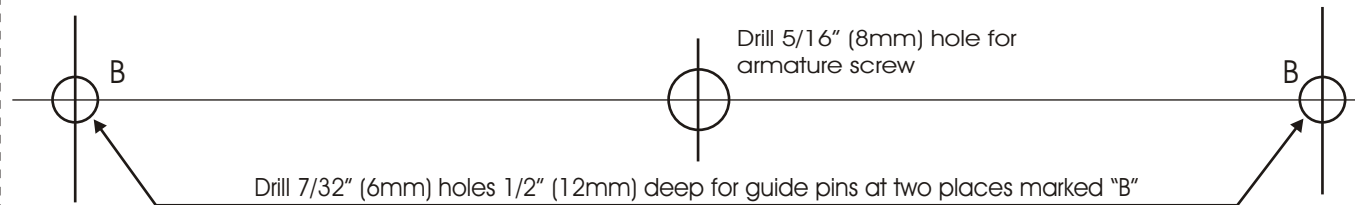
PLACE AGAINST HEADER

FOLD ON DOTTED LINE

FOLD ON DOTTED LINE

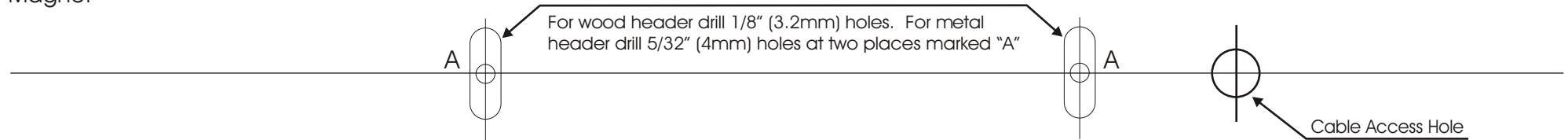
PLACE AGAINST DOOR

Armature



TEMPLATE FOR SECO-LARM E-941DA-1K2P

Magnet

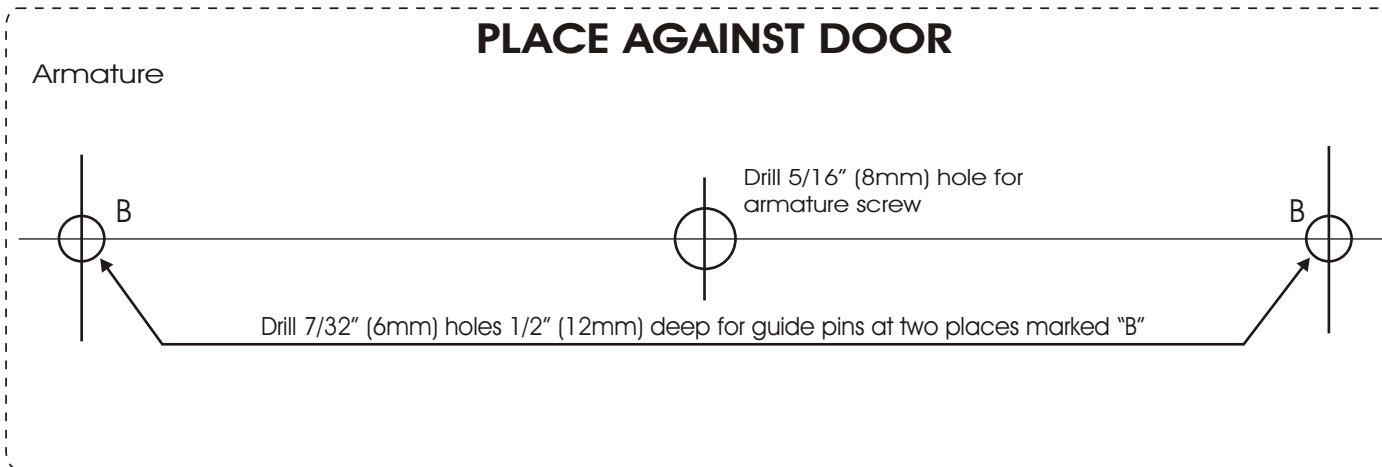


PLACE AGAINST HEADER

FOLD ON DOTTED LINE

FOLD ON DOTTED LINE

Armature



PLACE AGAINST DOOR