

Voice Dialer

E-922CPQ

When triggered by an alarm system, the ENFORCER Voice Dialer calls up to 6 numbers to deliver an 18-second message reporting the zone which triggered the alarm. It calls each number up to 3 times and repeats the message twice. The receiver can listen in and trigger or turn off the auxiliary relay.

Features:

- Trigger activated dialer with user programmable message (12-second basic + 6-second message for the triggered input)
- LCD display indicates ready or alarm (input and number dialed)
- 1 Inhibit and 3 trigger inputs, each programmable high (input >3.5V) or low (input <1V)
- Listen in, stop the dialing process, and/or turn the auxiliary output on or off during dialer call out
- Call in any time to listen in and/or turn auxiliary output on or off
- Remote control auxiliary relay – open doors/gates by phone
- 6 Programmable emergency phone numbers (14 digits each)
- Built-in flash memory to protect against system data loss
- Tone or pulse dialing

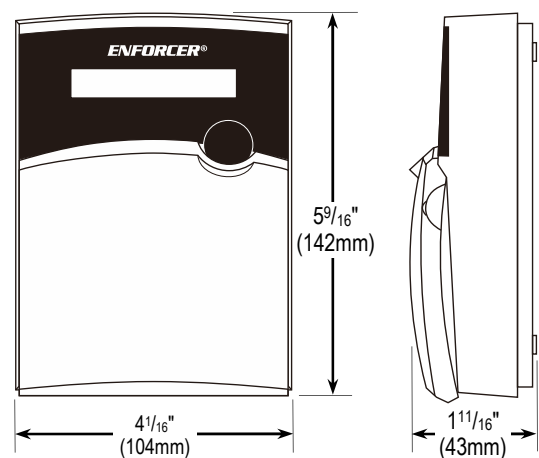


Specifications:

Operating voltage	10~18 VDC	
Current draw	50mA@12VDC standby, 200mA@12VDC dialing	
Phone system	For single-line or VOIP phone systems*	
Connectors	Inputs	Terminal block
	Telephony	Terminal block
Inputs (max. 15V)	3 Trigger and 1 inhibit, NO/NC, programmable high (input >3.5V) or low (<1V),	
Auxiliary relay output	2A@24VDC, NO/NC, programmable 1~255 sec	
Emergency message length	12s + 6s message per input (user recorded)	
Emergency phone numbers	6 numbers, up to 14 digits for each number	
Programmable dial attempts	3 times for each number	
Message repeat	1~2 times for each number (customizable)	
Operating temperature	32°~140° F (0°~60° C)	
Dimensions	4 1/16" x 5 9/16" x 1 11/16" (104x142x43 mm)	

*May work with some digital phone systems (single-line or PBX), depending on the system.

Dimensions:



SECO-LARM® U.S.A., Inc.

16842 Millikan Avenue, Irvine, CA 92606

Phone: (949) 261-2999 | (800) 662-0800 Fax: (949) 261-7326

Website: www.seco-larm.com Email: sales@seco-larm.com



Copyright © 2021 SECO-LARM U.S.A. Inc. All rights reserved. All trademarks are the property of SECO-LARM U.S.A., Inc. or their respective owners. The SECO-LARM policy is one of continual development. For that reason, SECO-LARM reserves the right to change prices and specifications without notice. SECO-LARM is not responsible for misprints.

SECO-LARM® ENFORCER® CRIMEBUSTER® CBA® SLI®

PI_E-922CPQ_210512.docx