

Infrared Proximity Sensors

CS-PD535-TAQ Square, Red/Green LED status indicator

CS-PD535-TBQ Square, Blue/Green LED status indicator

Features:

- No-touch operation reduces the risk of spread of germs, viruses, etc., through cross-contamination
- Adjustable sensor range 2³/₈"-8" (6~20 cm), 3A relay, adjustable trigger duration 0.5~30 seconds or toggle
- LED illuminated sensor area for easy identification
- Selectable LED colors turns from red to green or green to red (blue to green / green to blue for CS-PD535-TBQ) to show the sensor is activated

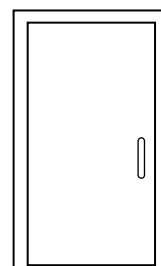


Specifications:

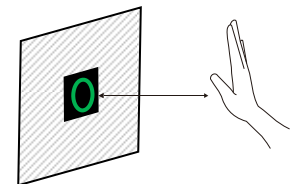
Model	CS-PD535-TAQ	CS-PD535-TBQ
Operating voltage	12~24 VDC	
Current draw (max.)	120mA@12VDC	
Relay type	Form C dry contact, NO/NC/COM, 3A@24VDC	
Connectors	Quick-connect, screwless terminal block	
Response time	10mS	
Output time	Adjustable, 0.5~30s, toggle, or as long as sensor is triggered	
Sensing range	Adjustable, 2 ³ / ₈ "~8" (6~20cm)	
LED Status indicator	Red/green or green/red*	Blue/green or green/blue*
Operating life	Relay	500,000 cycles
	Sensor	100,000 hours
Case material	ABS Plastic	
Operating temperature	-4°~131° F (-20°~55° C)	
Dimensions	1 ³ / ₄ "x2 ¹ / ₈ "x1 ⁷ / ₁₆ " (44x55x37 mm)	

*Colors reversible by jumper

Sample Applications:

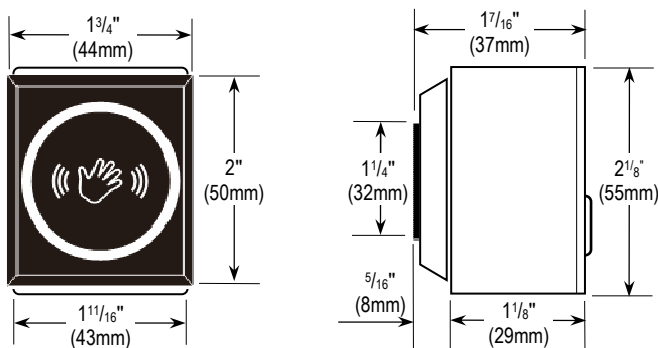


Access control



Replace mechanical switch (machinery, dispensers, medical devices, etc.)

Overview:



LED Indicators (Selectable):

(CS-PD535-TAQ shown)



Standby



Activated

SECO-LARM® U.S.A., Inc.

16842 Millikan Avenue, Irvine, CA 92606

Phone: (949) 261-2999 | (800) 662-0800 Fax: (949) 261-7326

Website: www.seco-larm.com Email: sales@seco-larm.com



Copyright © 2020 SECO-LARM U.S.A., Inc. All rights reserved.
 All trademarks are the property of SECO-LARM U.S.A., Inc. or their respective owners.
 The SECO-LARM policy is one of continual development. For that reason, SECO-LARM reserves the right to change prices and specifications without notice. SECO-LARM is not responsible for misprints.

SECO-LARM® ENFORCER® CRIMEBUSTER® CBA® SLI®

PL_CS-PD535-TxQ_201015.docx