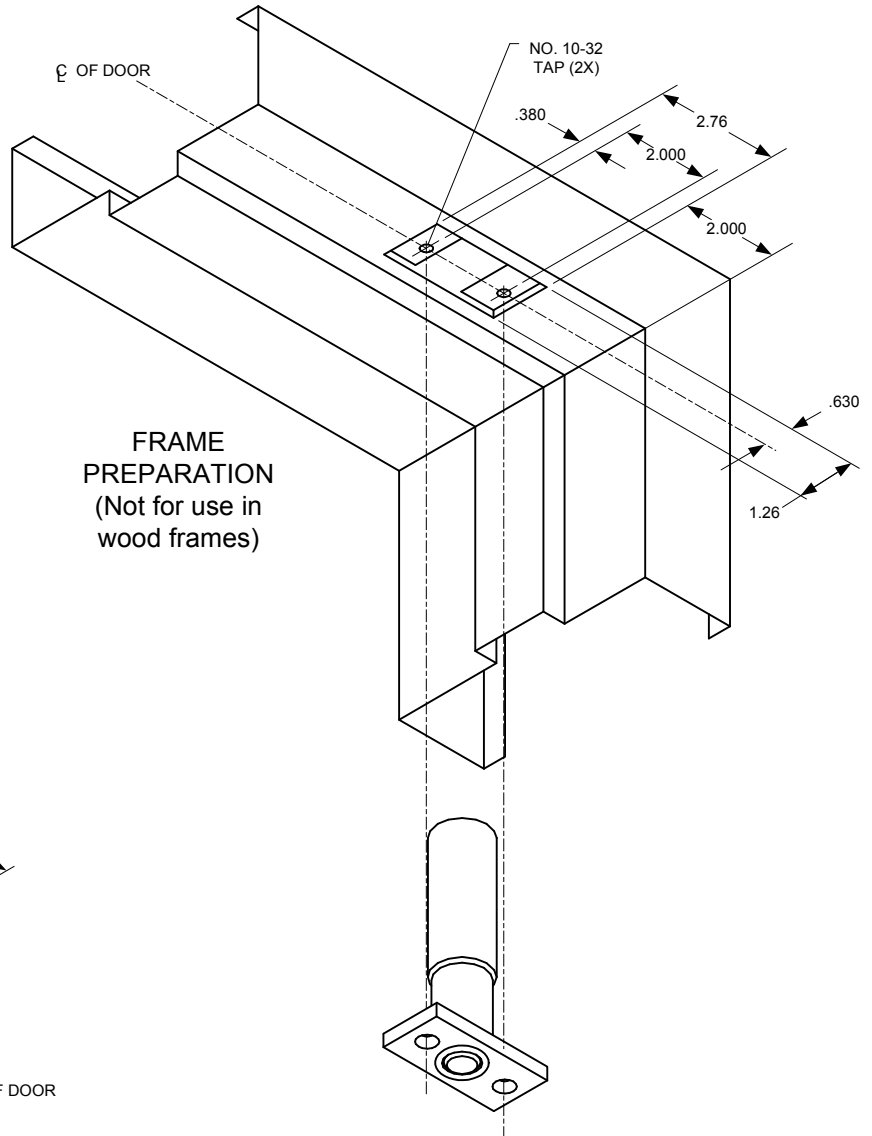
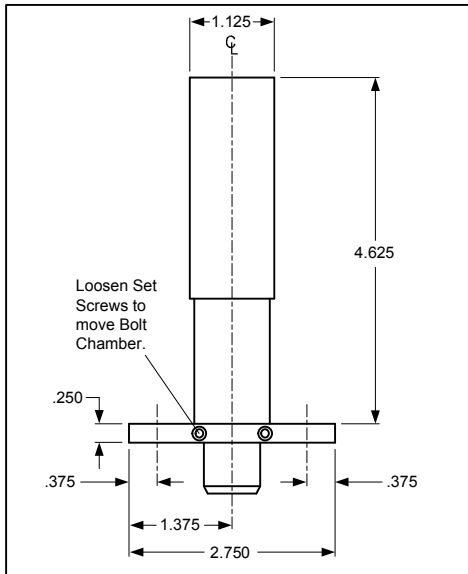




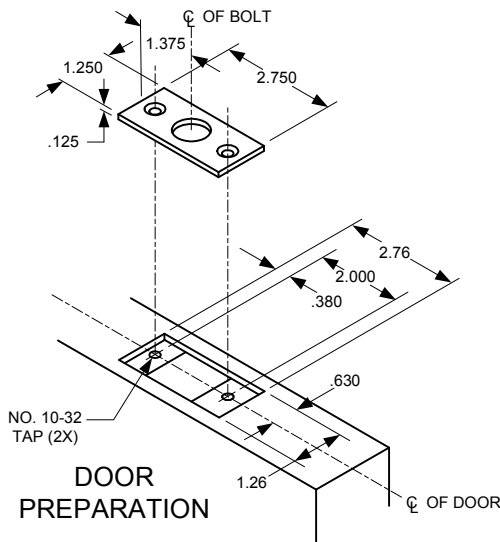
Security Door Controls

801 Avenida Acaso, Camarillo, Ca. 93012 • (805) 494-0622 • Fax: (805) 494-8861
 www.sdcsecurity.com • E-mail: service@sdsecurity.com

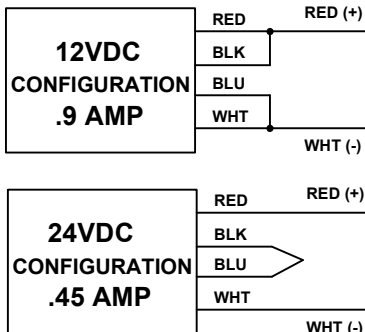
TEMPLATE 110/210



FRAME PREPARATION
(Not for use in wood frames)



TEMPLATE DIMENSIONS ARE SUBJECT TO CHANGE WITHOUT NOTICE



TECHNICAL DATA

- FACE PLATE:** 2-3/4" x 1-1/4" x 1/4" (69.85mm x 31.75mm x 6.35mm)
- STRIKE:** 2-3/4" x 1-1/4" x 1/8" (69.85mm x 31.75mm x 3.175mm)
- ID REQUIREMENTS:** 2-3/4" x 1/4" x 4-5/8" (69.85mm x 6.35mm x 117.475mm)
- BOLT:** 5/8" (15.875mm) DIA. SOLID STAINLESS STEEL
- BOLT THROW:** 1/2" (12.70mm) ROTATING, ADJUSTABLE FOR WIDE GAP
- 110: FAIL-SAFE - LOCKED WHEN ENERGIZED**
- 210: FAIL-SECURE - UNLOCKED WHEN ENERGIZED**
- SOLENOID:** CONTINUOUS DUTY
- ELECTRICAL DATA:**
- DUAL VOLTAGE (FAIL SAFE):
- 10.8 WATTS-12VDC@ .9 AMP
- 10.8 WATTS-24VDC@ .45 AMP
- STATUS SENSORS:** BOLT AND DOOR POSITION (OPTIONAL)

DUAL VOLTAGE SOLENOID WIRING

Any suggestions or comments to this instruction or product are welcome. Please contact us through our website or email engineer@sdsecurity.com