

# BTC-2X

## Bluetooth Remote Transceiver



### DESCRIPTION

The BTC-2X from Russound is a unique Bluetooth audio device that can be used for many different applications. Its advanced Bluetooth 5.1 radio allows you to get great sounding audio at distances that were never before possible with other Bluetooth devices.

#### The BTC-2X can be used in multiple ways:

- As a standalone Bluetooth receiver
- As a remote Bluetooth receiver with Russound's MCA-66 and MCA-88 controllers (can be located up to 500' (152 m) away using simple CAT5 cabling)
- As part of the BSK-2 Bluetooth Source Kit to provide multiple Bluetooth inputs to a Russound controller in the same installation
- As part of the BSK-2 Bluetooth Source Kit to add a Bluetooth Audio receiver to any Amplifier or Receiver and locate the Bluetooth radio up to 500' (152 m) away in the home.

### FEATURES

#### Bluetooth Extensibility when used with an MCA-Controller or with the BSK-2 Bluetooth Source Kit

Place the included BTC-2X remote Bluetooth transceiver wherever it is needed in the home and use a simple CAT5 wiring connection back to the location of the BTC-2 source box or MCA-Series controller up to 500' (152 m) away.

#### Bluetooth 5.1

The BTC-2X from Russound uses the Bluetooth 5.1 standard for improved audio quality and range

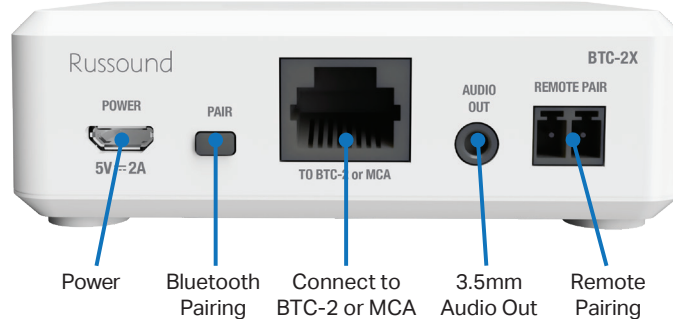
#### Metadata with the BTC-2X

When connected to a Russound MCA-Series controller (MCA-66 or MCA-88), the BTC-2X can provide metadata such as song titles, album name, etc. that is visible on compatible Russound keypads, touchscreens or when using the Russound app.

#### Source Control with the BTC-2X

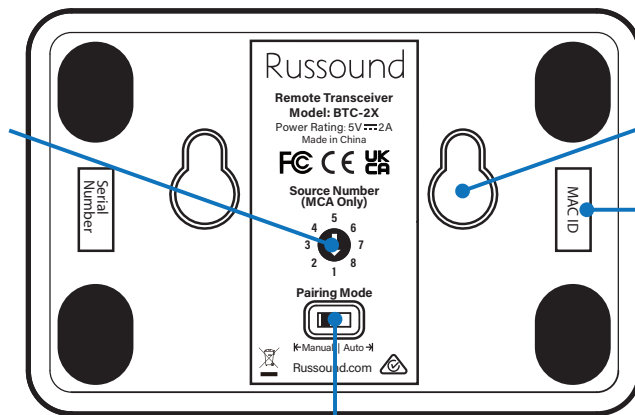
As with the metadata, the same BTC-2X devices can also receive control commands from the Russound controller using either connected keypads, touchscreens, or the Russound app. Use these to pause, resume play, skip forward and back, etc. on any compatible Bluetooth audio source devices.

### BTC-2X TECHNICAL SPECS



Power    Bluetooth Pairing    Connect to BTC-2 or MCA    3.5mm Audio Out    Remote Pairing

Source Number Switch  
(Only used when connected to a Russound MCA-Series Controller)

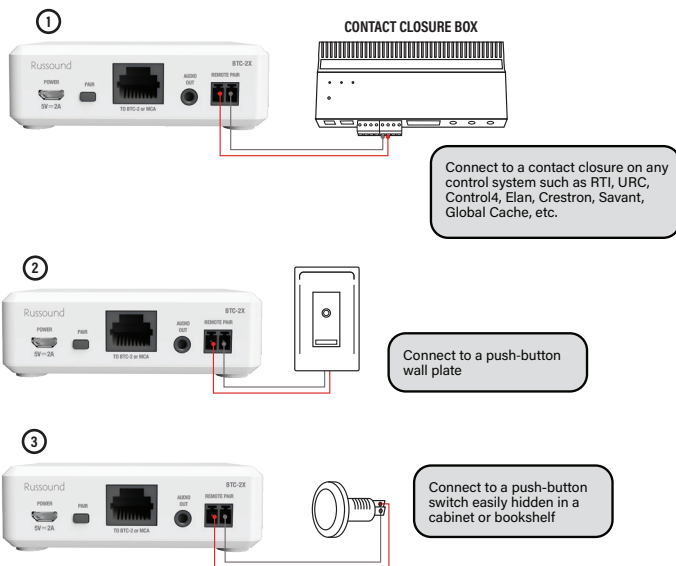


Keyhole Mounting Slots

MAC ID Label

Pairing Mode Switch

### Remote Pairing Solutions



BTC-2X	
Range	Indoors - Up to 65' (20m) Outdoors - Up to 195' (60m)
Connections	RJ-45, 3.5mm Audio Out, Remote Pairing
Pairing Modes	Automatic, Manual, and Contact Closure
Max CAT5 Cable Length to BTC-2X from Russound Controller	500'(152m)
Audio Out	3.5mm Analog Stereo Out (Cable Not Included)
Standalone Operation Power Requirements	5VDC microUSB (100-240VAC Power Supply Included)
Working with BTC-2 or MCA Controller Power Requirements	Power Supplied by BTC-2 or MCA Controller via CAT5 Cable Connection (Not Included)
Product Dimensions	3.375" (8.6 cm) x 2.25" (5.7 cm) x 1.13" (2.9 cm)
Product Weight	0.3 lbs (.14 kg)