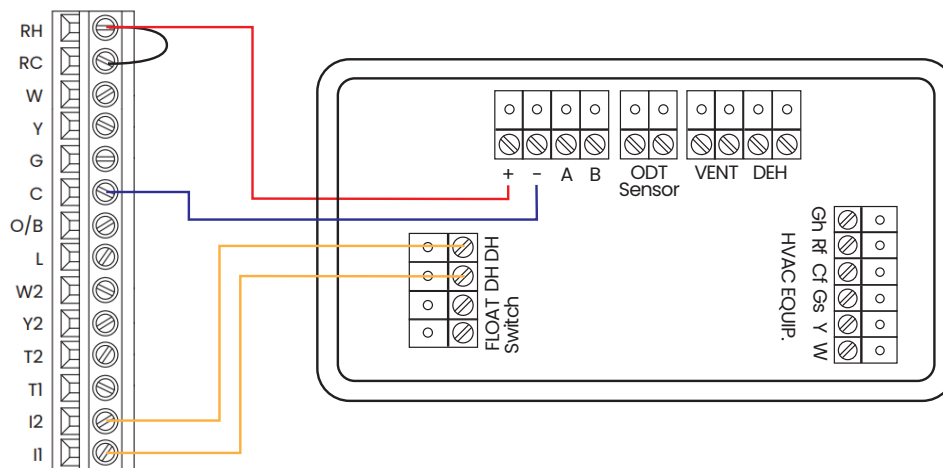


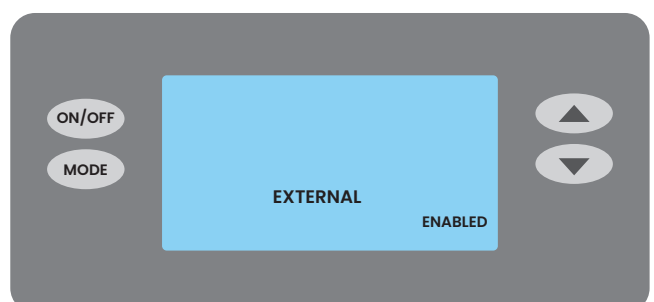
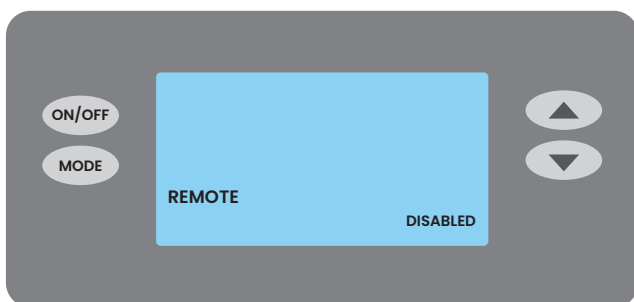
### 1. Wiring

With the dehumidifier unplugged, use 18-24 gauge thermostat wire to connect the Wi-Fi control to the unit referencing the diagram below. Note that you must leave the jumper wire connected between the RH/RC terminals on the Wi-Fi control with the RH terminal having two wires running into it once connected to the unit.



### 2. Dehumidifier

Plug the dehumidifier in and turn the rocker switch on. While the digital display says OFF, tap the MODE button to illuminate the screen and then hold the MODE button for three seconds to open the dehumidifier settings. When REMOTE appears, use the up and down arrows to make sure it is in the DISABLED position. Hit the mode button three more times to cycle past the VENT and ZONE options. When EXTERNAL appears on the screen use the up and down arrows to select ENABLED and hit the MODE button three more times to skip through the screens for DEH W/AC and RH OFFSET. DONE will blink on the screen. You can then hit the ON/OFF button to turn the unit on to configure the thermostat.



### 3. Wi-Fi Control Setup

Next, you will need to walk through the Wi-Fi control's setup menu which will prompt you to select the correct functions for proper operation. See the diagram below for the correct settings for each prompt.

