

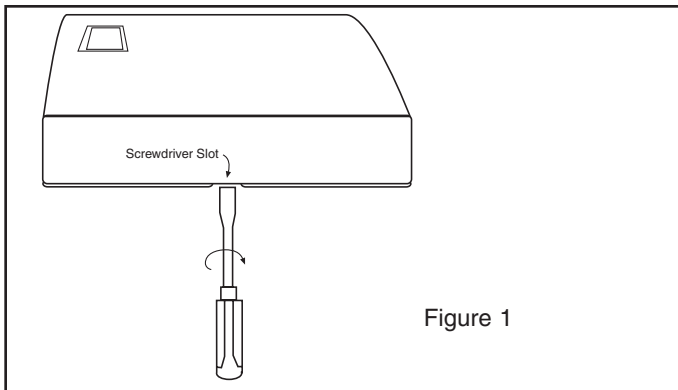
PASSIVE INFRA-RED MOTION DETECTOR WIRING INSTRUCTIONS

FGD-0007
v. 3.2

The Passive Infra-Red Motion Detector is used to monitor the movement of warm bodies in a specific area. The range is a maximum of 40 feet directly ahead of, and approximately 20 feet to either side of, the detector at 40 feet distance (Figure 6). If motion is detected, the sensor will cause a dial-out to occur.

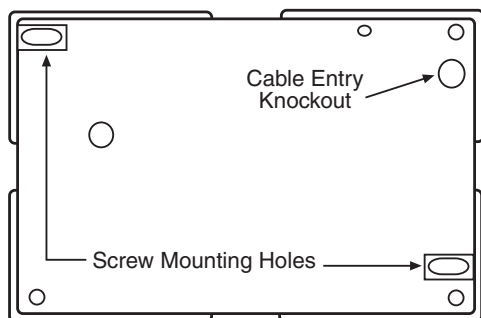
INSTALLATION

1. Remove front cover from sensor by placing a flat-head screwdriver in slot located on side of sensor, then rotate the screwdriver.(Figure 1)



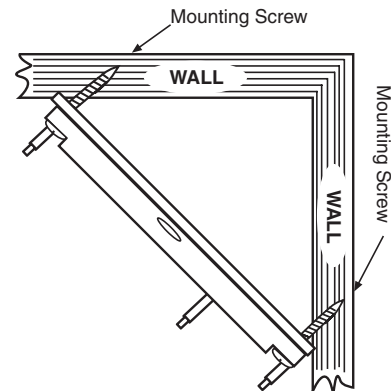
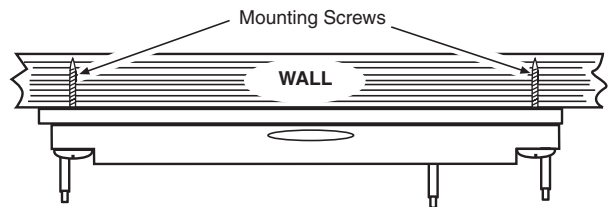
Warning: Do not face sensor toward the sun with the cover off. This will damage the sensor.

2. Remove mounting screws from the holes in the PC board.
3. Carefully remove the board from the pegs before attempting to screw the back plate to the wall.
4. Use a small screwdriver to punch out the cable-entry knock-out (indented circle) in the back cover of the passive infra-red detector. (Figure 2)



5. Mounting the back cover to the wall, using the accompanying screws and the two knock-out slots for them in the back cover.

The sensor must be mounted with the long dimension parallel to the floor and ceiling, with the sensor's window to the left, not up. The detector can be mounted in either a surface wall mount position (Figure 3) or in a corner mount position (Figure 4). Recommended (most effective) mounting height is 4.5 feet.



6. Run 2 wires through the cable knockout hole and connect them to the small terminal block (Output) on the side of the on the passive infra-red circuit board opposite the reflector unit. (See Figure 5.)

Note: The passive infra-red wiring is not polarity sensitive. It does not matter which wire goes to which screw terminal.

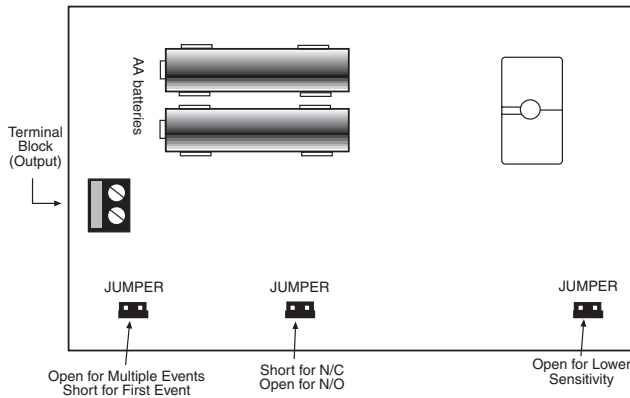


Figure 5: Circuit board

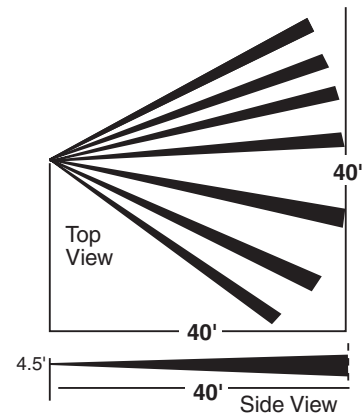


Figure 6: Distance measurements

7. Remount the circuit board on its three pegs and snap the front cover back on.

8. Run the two wires back to the Sensaphone unit. Connect one wire to any available alert input, the other to ground or common. The passive infra-red detector is a normally closed sensor.

9. Program the input normality as follows:

For Models 1104 and 1108: To be certain that the normal input state is closed, take a piece of wire and attach it across the input terminals. This will force the input closed. Press SET CONFIGURE. Remove the wire.

For Models 4100 and Express: to be certain that the normal input state is closed, take a piece of wire and attach it across the input terminals. This will force the input closed. Program the ID number. Remove the wire.

For Models Express II, 2000, Skymetry, StationSitter, and FarmSitter: Set the input type as normally closed. Consult your Sensaphone owner's manual for further instructions regarding the unit.

Note regarding Input Recognition Time: If your equipment allows, set the input recognition time to 1 second. Most units default to 3 seconds, which may be too long to detect the alarm.

For further technical assistance, call PHONETICS, INC. at 610-558-2700.

SPECIFICATIONS

Normality: Normally closed

Range: Approximately 40 feet

Dimensions: 4" x 6" x 1.5"

Number per input: Multiple, wired in series.

WARRANTY

1. **WARRANTOR:** Dealer, Distributor, Manufacturer

2. **ELEMENTS OF WARRANTY:** This Product is warranted to be free from defects in materials and craftsmanship with only the limitations and exclusions set out below.

3. **WARRANTY AND REMEDY:**

One-Year Warranty — In the event that the Product does not conform to this warranty at any time during the time of one year from original purchase, warrantor will repair the defect and return it to you at no charge.

This warranty shall terminate and be of no further effect at the time the Product is (1) damaged by extraneous cause such as fire, water, lightning, etc. or not maintained as reasonable and necessary; (2) modified; (3) improperly installed; (4) repaired by someone other than warrantor; (5) used in a manner or purpose for which the Product was not intended; or (6) sold by original purchaser.

WARRANTORS' OBLIGATION UNDER THIS WARRANTY IS LIMITED TO REPAIR OR REPLACEMENT OF THE PRODUCT. THIS WARRANTY DOES NOT COVER PAYMENT OR PROVIDE FOR THE REIMBURSEMENT OF PAYMENT OF INCIDENTAL OR CONSEQUENTIAL DAMAGES.

It must be clear that the warrantors are not insuring your premises or guaranteeing that there will not be damage to your person or property if you use this Product. The warrantors shall not be liable under any circumstances for damage to your person or property or some other person or that person's property by reason of the sale of this product or its failure to operate in the manner in which it is designed. The warrantors' liability, if any, shall be limited to the original cost of the Product. The warrantors assume no liability for installation of the Product and/or interruptions of the service due to strikes, riots, floods, fire, and/or any cause beyond Seller's control.

4. **PROCEDURE FOR OBTAINING PERFORMANCE OF WARRANTY:** In the event that the Product does not conform to this warranty, the Product should be shipped or delivered freight prepaid to a warrantor with evidence of original purchase.

5. **LEGAL REMEDIES:** This warranty gives you specific legal rights, and you may also have other rights which vary from state to state to the extent allowed by law expressly in lieu of any other express or implied warranty, condition, or guarantee.

PHONETICS, INC.
901 Tryens Road
Aston, Pennsylvania 19014
Phone: 610-558-2700
Fax: 610-558-0222
www.sensaphone.com