

# Quick Start Guide

## Wall Switch Products

WSXR, RWS



### MODELS:

WSXR-AC10 - Wall Switch Transmitter/Receiver 10A

WSXR-AC20 - Wall Switch Transmitter /Receiver, 20A

RWS - Remote Wall Switch

### FUNCTION

SimpleWorx products are designed to provide simple remote control for lighting and other electrical loads without having to run any new wiring. They connect (or "link") to one another by communicating over the existing electrical power wires.

One Transmitter can be linked to as many Receivers as you like. Each Receiver can be linked to eight Transmitters.

The WSXR Wall Switch (Figure 1) is a both transmitter and receiver depending on the linking operation setup.

Once the WSXR top rocker is "linked" to a load controlling SimpleWorx receiver (refer to "Linking a Transmitter to a Receiver") it is capable of controlling the receiver's load just as if it were its own load.

The RWS Remote Wall Switch (Figure 2) is an optional low cost accessory to the WSXR. The RWS acts like a secondary Decora-style rocker switch for replacing or creating a three-way lighting control circuit. The RWS connects to the load controlling device (WSXR) through the single yellow traveler wire normally found in a traditional three-way lighting control circuit.

### IMPORTANT SAFETY INSTRUCTIONS

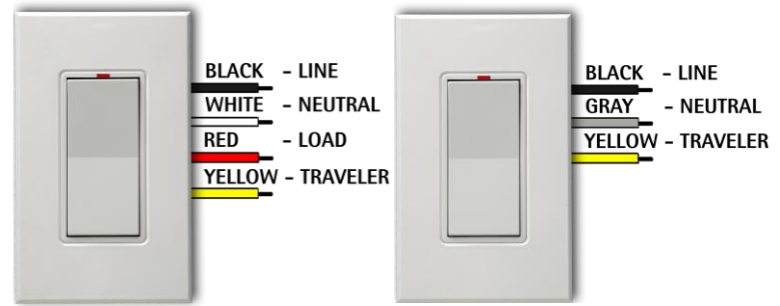
When using electrical products, basic safety precautions should always be followed, including the following:

1. Do not use this product for other than its intended purpose.
2. Keep away from water. If the product comes in contact with water or other liquid, turn off the circuit breaker and remove the product immediately.
3. Never use products that have been dropped or damaged.
4. Do not use this product outdoors.
5. Do not cover this product with any material when in use.

### INSTALLATION

Follow these instructions to replace an existing wall switch with a WSXR, or RWS:

1. Before installing the Wall Switch into a wall box, ensure that power to the wall box has been disconnected by removing the fuse or turning the circuit breaker off. Installing products while the power is on may expose you to dangerous voltage and may damage the product.



WSXR  
Figure 1

RWS  
Figure 2

2. Remove the faceplate from the existing wall switch, then unscrew and pull the existing wall switch out of the wall box.
3. Disconnect the wires from the existing wall switch. Identify the "Line", "Neutral", "Load" and "Control/Traveler" wires.
4. Wire the SimpleWorx Wall Switch and any RWS connecting wires per wiring configuration shown in Figure 3. Cap off any unused wires from the device
5. Gently place the wires and Wall Switch into the wall box, with light emitting diode (LED) at the top of device. Screw in place.
6. Before installing the faceplate, restore power to the circuit and test the device for proper local operation.
7. After testing, re - install the faceplate cover(s).

### MULTI-WAY CIRCUITS

The Wall Switch is wired directly to the lighting circuit and can (optionally) be controlled by one or more RWS Remote Wall Switches producing three, four or five-way circuits. Multi-way circuits make it possible for a group of switches to control the same set of lights. This section will illustrate how to wire the connections.

Note:

1. Refer to Figures 1 and 2 to determine the wire colors of the connections.
2. All PCS Wall Switches require a neutral (white) connection.
3. Remote Wall Switches require that the Line (black) wire be accessible. This wire may be connected to either phase of the 120/240V supply.
4. The gray wire on the Remote Wall Switch may be connected to either *earth ground or neutral*. The gray wire serves only to light the LED in the remote. This LED does not indicate anything except that power is applied and to serve as a night-light.

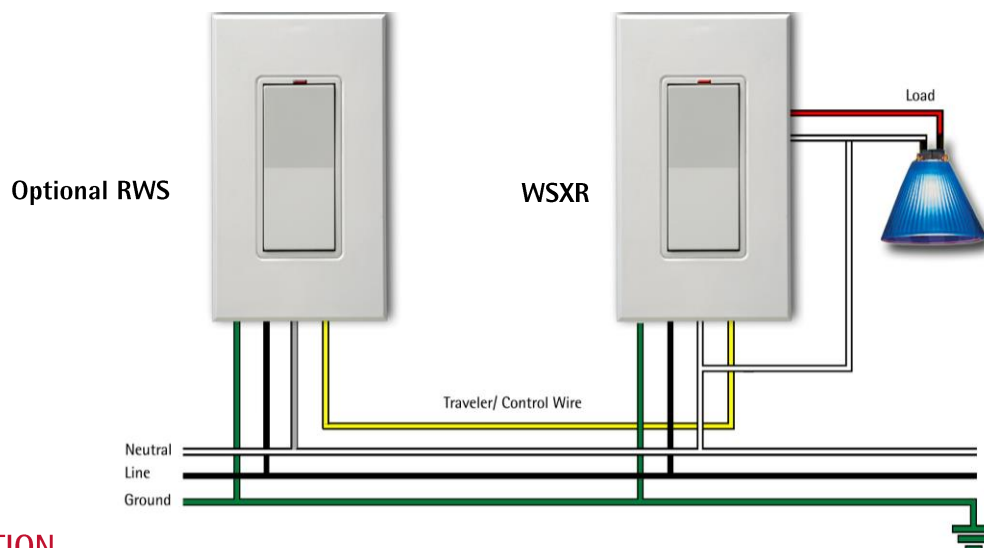
# Quick Start Guide

## Wall Switch Products

WSXR, RWS



### WIRING DIAGRAM



### OPERATION

#### Linking a Transmitter to a Receiver

Any SimpleWorx transmitter can remotely control one (or more) SimpleWorx Receiver(s) by following the steps below to "LINK" the two together:

1	For the WSXR to act as a Transmitter; Press and hold the <b>TOP</b> Rocker for 6 seconds. The LED will then flash GREEN and flash its load (if a load is connected)
2	For the WSX to act as a Receiver; Press and hold the <b>BOTTOM</b> rocker switch for 6 seconds. The LED will flash GREEN and flash its load (if a load is connected)
3	The Receiver will indicate (within 30 seconds) the two devices have automatically "LINKED" to one another when the LED stops flashing and then flashes its load once.
4	The Transmitter may be taken out of "LINK" mode by tapping its <b>TOP</b> rocker switch or link button once. The LED will stop flashing and flashes its load (if a load is connected). <b>Note: The TX will automatically timeout after 5 minutes</b>

#### Factory Default- Erasing all Links

1	To default the Transmitter: Press the <b>TOP</b> Rocker To default the Receiver: Press the <b>BOTTOM</b> Rocker for 6 seconds. The LED will then flash GREEN and flash its load (if a load is connected)
2	Tap the rocker 10 times to clear all links
3	The LED will flash 10 times before returning to solid RED to indicate all links have been erased.

#### Status LED Indicator

The WSXR is equipped with a bi-color status LED that is normally lit to red. This LED indicator will flash different colors to indicate configuration status as outlined below:

LED Color	Status
Solid RED	Power applied to Wall Switch
Flashes GREEN	Device is in LINK MODE
Solid GREEN	Transmitting a SPC™ message

#### CERTIFICATION

This product has been thoroughly tested by Intertek Testing Services, a nationally recognized independent third-party laboratory. The North American ETL Listed mark signifies that the product has been tested to and has met the requirements of a widely recognized consensus of US and Canadian product safety standards, that the manufacturing site has been audited, and that the manufacturer has agreed to a program of quarterly factory follow-up inspections to verify continued conformance.



#### LIMITED WARRANTY

Seller warrants this product, if used in accordance with all applicable instructions, to be free from original defects in materials and workmanship for a period of five years from the date of purchase. Refer to the warranty information on the PCS website ([www.pcslighting.com](http://www.pcslighting.com)) for exact details.

