



RM1-15 Receptacle Module

The RM1 is ideal to remote control one or more 120VAC non-dimming appliances with a maximum rating of 15 Amps. The RM1 will replace any standard wall outlet with no additional wiring required. The top outlet is being controlled, while the lower outlet allows vacuums, computers, and other devices that do not require remote control to be plugged in to the normal electrical circuit.

The high-impact resistant thermoplastic construction offers Tamper-Resistant Receptacles with an automatic shutter system to protect children from electrical injuries. The RM1's shutters release when a plug is inserted, this abides by the National Electrical Code® now required for all residential installations.

The multi-color LED provided in the bottom outlet ground hole displays the status while offering a blue, magenta or red night light. The RM1 is also capable of being configured to follow the on/off state of the load or act as a powerline signal indicator.

The RM1 is capable of being a member of up to 16 scenes with the ability to store pre-set relay states (On Off or Blink) for each scene. A pre-set state can easily be adjusted by using the innovative PulseWorx manual programming method. An added feature includes the ability to set a "maximum on time" (up to 240 minutes). If the appliance is not turned off, the module will implement it automatically. The RM1 can be configured to inform the network when the appliance has been turned off. This feature allows the RM1 to remotely control other devices or update the indicator LEDs on Keypads.

RM1 is available in 6 standard colors, White, Light Almond, Ivory, Black, Brown and Grey.

The Receptacle Module is designed to be an integral part of a complete PulseWorx Lighting Control System. No new wires are necessary, making PulseWorx perfect for retrofit or remodel plans.



RM1-15

FEATURES

- Handles 120VAC loads up to 15 Amps
- NEMA 5-15R Configuration
- Meets the expanded NEC Tamper Resistant requirements
- Capable of being a member of up to 16 scenes
- Auto-off timer up to 240 Minutes
- Bottom outlet allows constant power to plug-in other devices that do not need control
- Dual-Transmitter Circuitry
- Receive Sensitivity Adjustment
- Adjustable Multi Color LED Night Light
- Available in White, Lt Almond, Ivory, Black, Brown, or Grey
- 5 Year Warranty
- Designed and Made in the USA



19201 Parthenia Street, Ste. J , Northridge, CA 91324
P: 888.701.9831 F: 818.701.1506 www.pcslighting.com



All international rights reserved. © Copyright 2004-2014 by Powerline Control Systems, Inc. These products may be covered under one or more of the following U.S. patents: 6,734,784; 6,784,790; 7,265,654; 7,688,183. U.S. and foreign patents may be pending. PCS, PulseWorx and UPB are registered trademarks of Powerline Control Systems, Inc.



RM1-15 Receptacle Module

MODEL

RM1-15 Receptacle Module

SPECIFICATIONS

ELECTRICAL

Power Requirements	Primary: 120 Volts AC, 50/60Hz
Maximum Load	15 Amps or 1/2 HP
Transmission Channels	1 Scene on Auto Off Time out
Load Type	Motor, Inductive, Incandescent, LED
Connections	Colored Screws
	Brass Screw (Lower Right) - Hot/Line
	Brass Screw (Upper Right) - Load
	Silver Screw (Upper, Middle Left) - Neutral
	Green Screw (Lower Left) - Ground
Standby Power	< .8 Watts
Environmental	Recommended for Indoor Use Only
Temperature:	-40° to 140°F (-40° to 60°C)
Humidity:	10% to 90% RH (non-condensing)
Certifications	ETL Pending

OPERATION

Status LED Models	All programmable with UPStart- Blue, Red, Magenta or Off
During Power Outage	Retains all settings in Non-volatile EEPROM
Set-Up Mode	Tap Program button 5 Times - LED will blink

MECHANICAL

Color	White, Light Almond, Ivory, Black, Brown, Grey
Program Button	Located in upper ground hole
Status LED	Located in lower ground hole
Mounting	Single Gang or multiple-ganged junction box

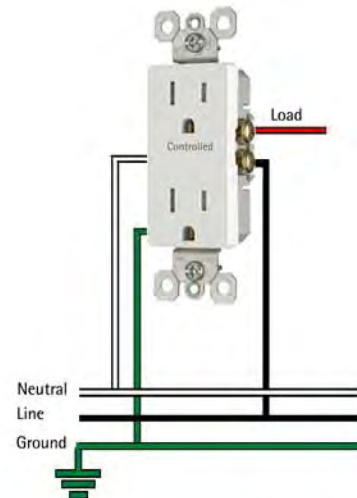
Height	3.31 in
Width	1.20 in
Depth:	1.90 in
Weight	3.40 oz

Warranty	5 years
US Patent No.	6,734,784; 6,784,790; 7,265,654; 7,688,183. U.S. and foreign patents may be pending.

DIMENSIONS



WIRING DIAGRAM



19201 Parthenia Street, Ste. J , Northridge, CA 91324
P: 888.701.9831 F: 818.701.1506 www.pcslighting.com



All international rights reserved. © Copyright 2004-2013 by Powerline Control Systems, Inc. These products may be covered under one or more of the following U.S. patents: 6,734,784; 6,784,790; 7,265,654; 7,688,183. U.S. and foreign patents may be pending. PCS, PulseWorx and UPB are registered trademarks of Powerline Control Systems, Inc.