



# RAM-15

## Receptacle Module

The Receptacle Module (RAM-15) is ideal to remote control one or more 120VAC non-dimming appliances with a maximum rating of 15 Amps. The RAM-15 will replace any standard wall outlet with no additional wiring required. The top outlet is being controlled, while the lower outlet allows vacuums, computers, and other devices that do not require remote control to be plugged in to the normal electrical circuit.

The high-impact resistant thermoplastic construction offers Tamper-Resistant Receptacles with an automatic shutter system to protect children from electrical injuries. The RAM-15's shutters release when a plug is inserted, this abides by the National Electrical Code® now required for all residential installations.

The Red LED provided in the bottom outlet ground hole displays the status while offering red night light. The RAM-15 is also capable of being a powerline signal indicator.

The RM1 is capable of being a member of up to 16 scenes with the ability to store pre-set relay states (On, Off or Blink) for each scene.

RAM-15 is available in 6 standard colors; White, Light Almond, Ivory, Black, Brown and Grey.

The Receptacle Module is designed to be an integral part of a complete SimpleWorx Lighting Control System. No new wires are necessary, making SimpleWorx perfect for retrofit or remodel plans.



RAM-15

### FEATURES

- Handles 120VAC loads up to 15 Amps
- NEMA 5-15R Configuration
- Meets the expanded NEC Tamper Resistant requirements
- Remotely controllable from eight SWX Transmitters
- Bottom outlet allows constant power to plug-in other devices that do not need control
- Red LED Night Light in lower ground hole
- Available in White, Lt Almond, Ivory, Black, Brown, or Grey
- 5 Year Warranty
- Designed and Made in the USA



19201 Parthenia Street, Ste. J, Northridge, CA 91324  
P: 888.701.9831 F: 818.701.1506 [www.pcslighting.com](http://www.pcslighting.com)



All international rights reserved. © Copyright 2004-2014 by Powerline Control Systems, Inc. These products may be covered under one or more of the following U.S. patents: 6,734,784; 6,784,790; 7,265,654; 7,688,183. U.S. and foreign patents may be pending. PCS, PulseWorx and UPB are registered trademarks of Powerline Control Systems, Inc.



# RAM-15 Receptacle Module

## MODEL

RAM -15 Receptacle Module

## SPECIFICATIONS

### ELECTRICAL

Power Requirements	Primary: 120 Volts AC, 50/60Hz
Maximum Load	15 Amps or 1/2 HP
Load Type	Motor, Inductive, Incandescent, LED
Connections	Colored Screws
	Brass Screw (Lower Right) - Hot/Line
	Brass Screw (Upper Right) - Load
	Silver Screw (Upper, Middle Left) - Neutral
	Green Screw (Lower Left) - Ground
Standby Power	< .8 Watts
Environmental	Recommended for Indoor Use Only
Temperature:	-40° to 140°F (-40° to 60°C)
Humidity:	10% to 90% RH (non-condensing)
Certifications	ETL Pending

### OPERATION

Status LED	Red
During Power Outage	Retains all settings in Non-volatile EEPROM
Set-Up Mode	Hold Program button for 8 Seconds - LED will blink

### MECHANICAL

Color	White, Light Almond, Ivory, Black, Brown, Grey
Program Button	Located in upper ground hole
Status LED	Located in lower ground hole
Mounting	Single Gang or multiple-ganged junction box

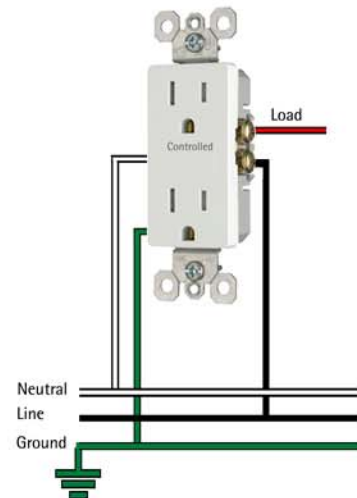
Height	3.31 in
Width	1.20 in
Depth:	1.90 in
Weight	3.40 oz

Warranty	5 years
US Patent No.	6,734,784; 6,784,790; 7,265,654; 7,688,183. U.S. and foreign patents may be pending.

## DIMENSIONS



## WIRING DIAGRAM



19201 Parthenia Street, Ste. J , Northridge, CA 91324  
P: 888.701.9831 F: 818.701.1506 www.pcslighting.com



All international rights reserved. © Copyright 2004-2013 by Powerline Control Systems, Inc. These products may be covered under one or more of the following U.S. patents: 6,734,784; 6,784,790; 7,265,654; 7,688,183. U.S. and foreign patents may be pending. PCS, PulseWorx and UPB are registered trademarks of Powerline Control Systems, Inc.