

Quick Start Guide

Passive Phase Coupler

PPC-1



FUNCTION

The Passive Phase Coupler (PPC-1) is a small electronic device designed to enhance the communication reliability between devices using the Universal Powerline Bus (UPB™) technology communication. It couples UPB communication signals generated on one phase of the powerline onto the other phase of the powerline. The PPC-1 is designed to be used in each electrical panel with lighting controls connected. At a minimum to the main circuit breaker panel in a typical residential 120/240VAC split-phase electrical environment.

IMPORTANT SAFETY INSTRUCTIONS

When using electrical products, basic safety precautions should always be followed, including the following:

1. READ AND FOLLOW ALL SAFETY INSTRUCTIONS.
2. Keep away from water. If the product comes in contact with water or other liquid, turn off the circuit breaker and unplug the product immediately.
3. Never use products that have been dropped or damaged.
4. Do not use this product outdoors.
5. Do not use this product for other than its intended purpose.
6. Do not cover this product with any material when in use.
7. SAVE THESE INSTRUCTIONS.

INSTALLATION

The PPC-1 is designed to install in a suitable junction box and wire to both two phases (circuits) of the circuit breaker panel.

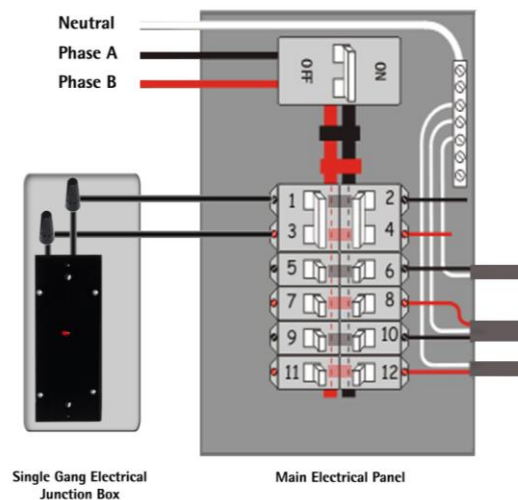
Note: Installation should be carried out by a qualified electrician only and must be carried out in accordance with all applicable codes and requirements. Including, but not limited to, the National Electrical Code (NEC).

1. Turn off the power at the main breaker panel.
2. Install the coupler into a suitable workbox or equivalent enclosure using the two mounting holes.
3. Connect one black wire to phase A, and the other black wire to phase B, using wire nuts. Check that there are no bare wires protruding and cover the wire nuts with insulating tape if necessary.
4. Check all wiring and connections, and turn on the main breaker.

OPERATION

The LED will light up if all connections are proper.

WIRING DIAGRAM



LIMITED WARRANTY

Seller warrants this product, if used in accordance with all applicable instructions, to be free from original defects in materials and workmanship for a period of five years from the date of purchase. Refer to the warranty information on the PCS website (www.pcslighting.com) for exact details.

