



301 Fulling Mill Road, Suite G
 Middletown, PA 17057
 Phone (800) 321-2343 / Fax (717) 702-2546
 www.onqlegrand.com

IS-0363 Rev. 0

1. INTRODUCTION

The On-Q/Legrand Multi-Voltage Power Distribution Module (P/N PW7639) (see **Figure 1**) allows you to power a wide variety of modules and devices.

2. FEATURES

- Allows you to power a wide variety of modules and devices
- The Multi-Voltage Power Distribution Module distributes:
 - 15 volts DC to up to four locations (3 front / 1 rear)
 - 12 volts DC to up to two locations
 - 5 volts DC to one location
- Includes single bay bracket (P/N 364890-01) for mounting in On-Q style enclosure (see **Figure 2**)
- Includes six 24" power cord jumpers
- Overcurrent protected with an automatically resetting polyswitch device
- Main power indicator LED
- Overcurrent LED



Figure 1

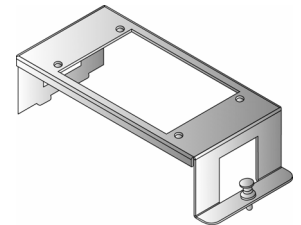


Figure 2

3. POWER REQUIREMENTS

Power to the module is supplied by up to two 15V, 1.45A power supplies (P/N PW7715) that must be purchased separately.

NOTE: To provide the specified voltage and the maximum total power, the module must be connected to two power supplies.

NOTE: Using two supplies, the max total current is 2.9Amp; 1Amp Max per port. If the max total current exceeded, the red "Overcurrent" LED will illuminate and DC Output power cannot be guaranteed.

4. INSTALLATION

Refer to the example shown in **Figure 3** during installation.

- A. Snap the Power Distribution Module onto the included bracket using the push-pins at each corner.
- B. Plug the cord from the first power supplies into the socket labelled "IN 1"; if using a second power supply, plug its cord into the socket labelled "IN2".
- C. Without mounting the module, find the appropriate spot in the enclosure where all the power cord jumpers reach the modules to be powered.
- D. Mount the module/bracket into the enclosure, insert the tabs on the left side of the bracket into the slots in the enclosure and push the bracket pushpin into an appropriate hole in the enclosure to secure the module/bracket to the enclosure.
- E. Make the appropriate connections with the power cord jumpers.
- F. Plug the power supplies into the AC Input receptacle(s).

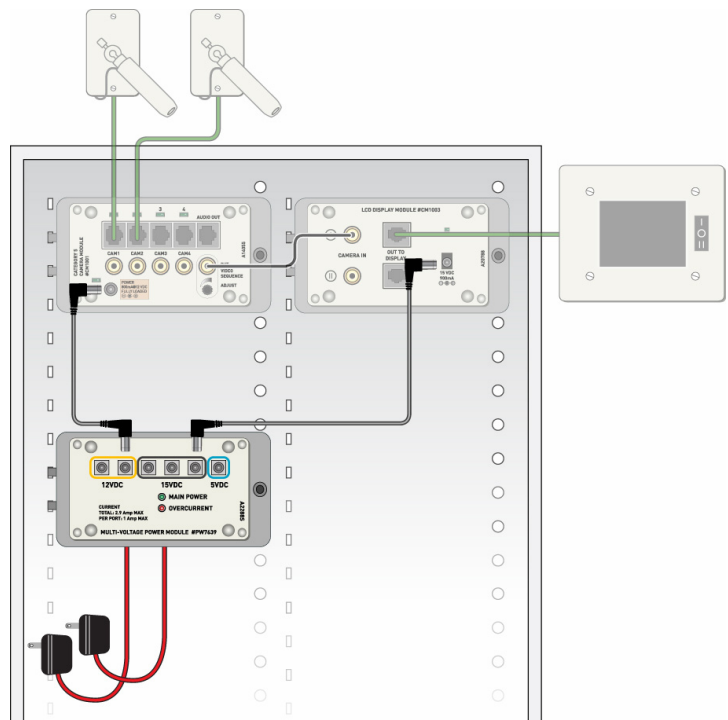


Figure 3