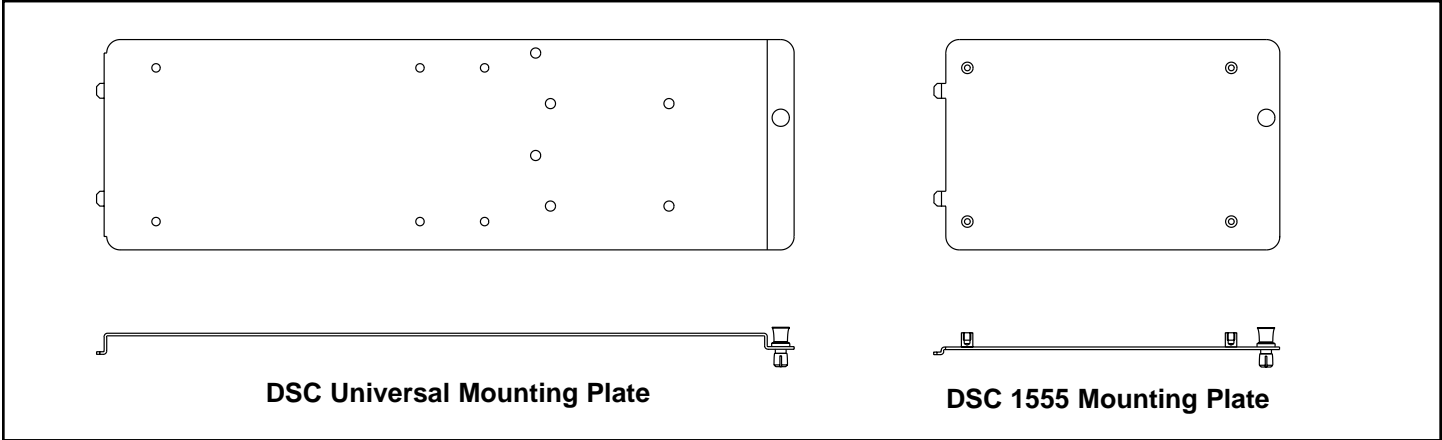




OnQ Technologies, Inc.
P.O. Box 60907
Harrisburg, PA 17106-0907
800-321-2343
www.onqtech.com

Installation/Instruction Sheet
DSC Mounting Plates
IS-0146 Rev. O



1. Introduction

OnQ DSC Mounting Plates are to be used with DSC Security Systems. The mounting plates can be installed in any OnQ Service Center Enclosure.

2. Description

The DSC 1555 Mounting Plate is a half-width plate that supports DSC 1555 security controllers. The DSC Universal Mounting Plate is a full-width plate that supports DSC 832 or 1555 security controllers; the full-width size also allows for placement of expander modules.

3. Installation

Mounting in OnQ Enclosure (refer to Figure 2):

- a) Align tabs on the mounting plate with slots in enclosure.
- b) Insert tabs by angling mounting plate away from the back of the enclosure.
- c) Rotate the mounting plate and insert fasteners on mounting plate into corresponding holes on rail of enclosure. (Plunger must be in a pulled position for fastener to engage hole).
- d) Push plunger in to lock mounting plate in place. Pull on plate to ensure it is locked properly in place.

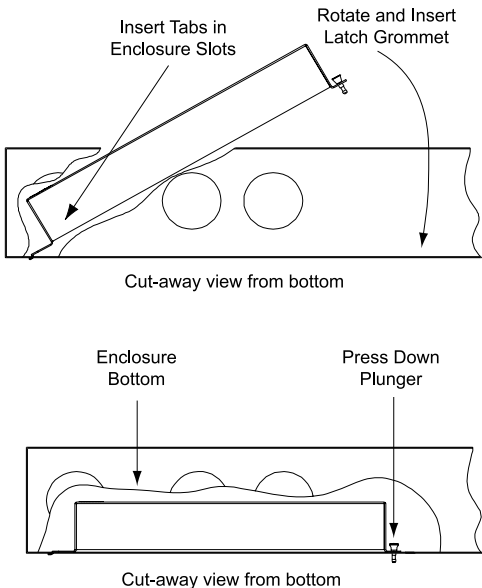


Figure 2
Example view - placement in OnQ Enclosure