

OnQ

OnQ Technologies, Inc.
P.O. Box 60907
Harrisburg, PA 17106
Phone: 800-321-2343

Instruction/Installation Sheet OnQ CADDX Mounting Plate IS-0076 Rev. O

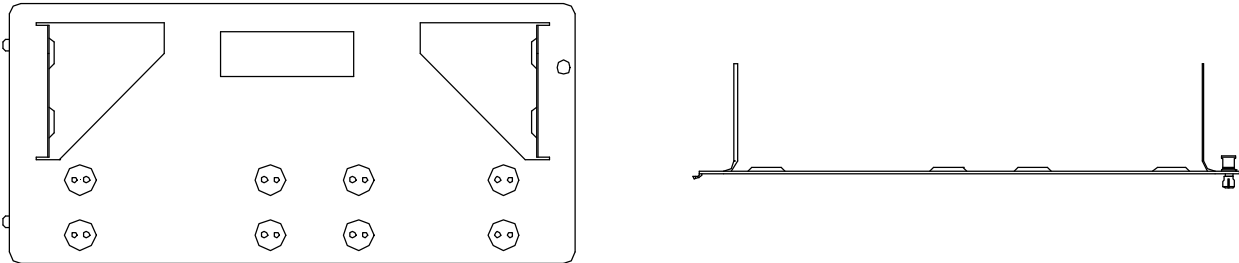


Figure 1

1. Introduction:

The OnQ Caddx Mounting Plate is to be used with the Caddx Networkx NX-8 Security System. The Caddx Mounting Plate is for installation into the OnQ 14", 28" and 42" Tri-rail or Flat-rail Service Center Enclosures.

2. Description:

The OnQ Caddx Mounting Plate allows the Caddx Networkx NX-8 Security System to be utilized in an OnQ Structured Wiring System. The Mounting Plate also allows for the placement of expander modules.

3. Installation

A. Mounting Caddx NX-8 and Expander Modules.

- 1) Slide NX-8 Main Control Module into mounting plate slots. See Figure 2.
- 2) Secure Vertical Expander Module Rails to Mounting Plate. Slide Modules into Vertical Rails.
- 3) Use Caddx Installation/Instruction Sheets for correct wiring instructions.

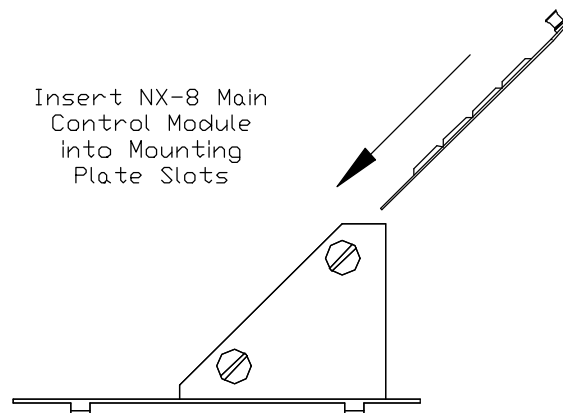


Figure 2

B. Mounting in enclosure – Refer to Figure 3.

- 1) Align tabs on assembly with slots on rail of enclosure.
- 2) Insert tabs by angling assembly away from the back of the enclosure and sliding forward.
- 3) Rotate the assembly and insert fasteners on assembly into corresponding holes on rail of enclosure. (Plunger must be in the pulled out position for fastener to engage hole.)
- 4) Push plunger in to lock module in place. Pull on assembly to assure assembly is locked properly in place.

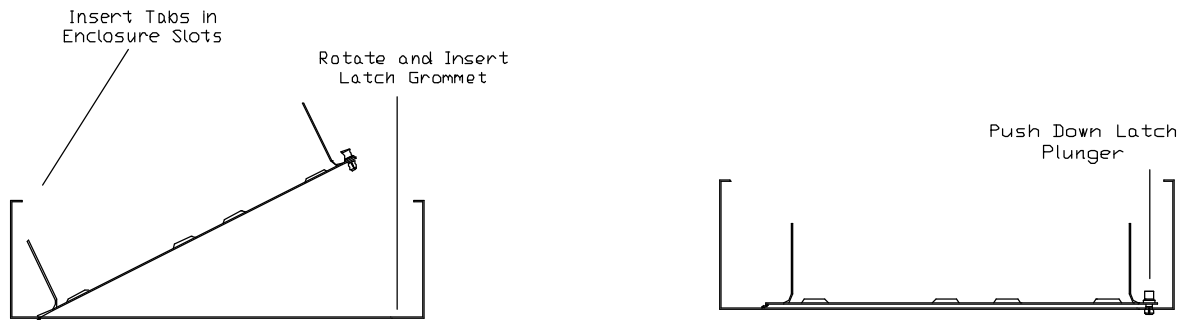


Figure 3