

SMOKE & CO COMBO ALARM

PHOTOELECTRIC

BRK[®]

THE PROFESSIONAL STANDARD

3V (2 AA) Battery Powered

Description:

BRK ZCOMBO-G (model ZCOMBO) is a single station combination smoke and CO alarm specifically designed for residential and institutional applications including sleeping rooms of hospitals, hotels, motels, dormitories, and other multifamily dwellings as defined in standard NFPA 101. BRK ZCOMBO-G has been fully tested and complies with, UL217, UL2034, CSFM, NFPA 72, NFPA 720 and NFPA 101 and other agencies that model their codes after the above agencies. It meets building codes where battery operated Z-Wave wireless smoke and CO alarms are required along with silence features and with model building codes published by the ICC.

BRK ZCOMBO-G is a state of the art wireless combination smoke and CO alarm designed to provide early warning of a fire or CO. It features a fully insect screened Photoelectric smoke sensing chamber and an electrochemical carbon monoxide sensor, an 85dB horn, a supervised 3V (2 AA batteries) power supply, a full function test switch and a silence feature. This combination alarm will operate with 3rd party, certified Z-Wave devices and the basic command class required by all Z-Wave devices. By the requirements of the Device Class spec, this command class does not have to be mapped to any particular functionality for this device. The alarm supports one association group with up to 1 node, and sends its alarms to that group. The alarm supports configuration parameter #1, which has a size of 1, a default value of 0, and when set to 1 causes the device to send double alarm messages.

It also features tamper resistant locking pins that lock alarm to the mounting bracket and battery drawer to prevent removal of battery or alarm. Perfect for apartment, dormitory or hotel applications. Designed for wall or ceiling mounting. Includes mounting anchors and screws.



CAT. **ZCOMBO-G**



Z-WAVE WIRELESS INTERCONNECT

Communicates with any Z-Wave technology wireless hub. Note: This alarm will not connect to Onelink or BRK Wireless Interconnect alarms. Z-Wave hub not included.

PHOTOELECTRIC

Photoelectric technology is generally more sensitive at detecting large particles, which tend to be produced in greater amounts by smoldering fires.

SILENCE FEATURE

Silences nuisance alarms.

TAMPER RESISTANT

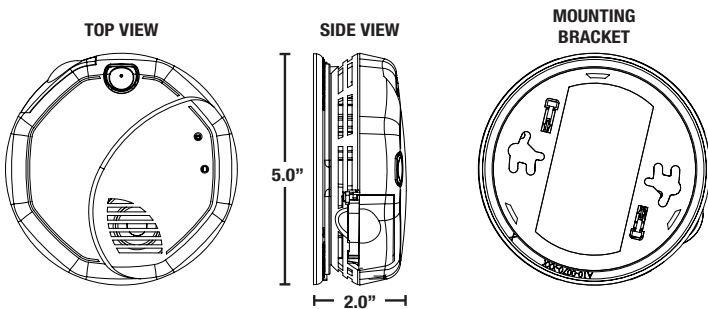
Locks alarm to mounting bracket to prevent removal of battery and/or alarm. Perfect for apartment, dormitory or hotel applications.



PHOTOELECTRIC

Listed to
UL 217 &
UL 2034
Standards

CAT. ZCOMBO-G



ARCHITECTURAL AND ENGINEERING SPEC

The combination smoke and CO alarm shall be a BRK Model ZCOMBO (cat. no. ZCOMBO-G) and shall provide at a minimum the following features and functions:

1. A photoelectric smoke sensing chamber and an electrochemical CO sensor.
2. Operates with 3rd party, certified Z-Wave devices.
3. The unit shall have a lower and varying horn frequency to make it easier for the elderly with normal age related hearing loss to better hear the horn.
4. The CO sensor is adjusted not to detect CO levels below 30 PPM and will not alarm when exposed to constant levels of 30 PPM for 30 days. It will alarm at the following levels: 400 PPM CO between 4 and 15 minutes, 150 PPM CO between 10 and 50 minutes and 70 PPM CO between 60 and 240 minutes.
5. The unit shall have an "End of Life" signal. This signal should be capable of temporarily being silenced for up to 2 days. After about 2 days, the signal will resume. After about 2-3 weeks the signal cannot be silenced.
6. A fully screened sensing chamber to resist entry of small insects.
7. Powered by 2 replaceable AA batteries, a solid state horn rated at 85dB at 10 ft and should be capable of self restoring.
8. A visual LED power-on indicator to confirm unit is receiving power or is in alarm.
9. Two Silence features - Low Battery Silence: Silence low battery chirp for up to 8 hours. Alarm Silence: Temporarily silence unwanted nuisance alarms.
10. Two Locking features - tamper resistant locking pins that lock battery drawer and/or alarm to mounting bracket.
11. The unit shall be capable of operating between 40°F (4°C) and 100°F (38°C) and relative humidity between 10% and 95%.
12. The unit shall contain mounting hardware and shall be listed for wall or ceiling mounting.
13. The unit shall at a minimum meet the requirements of UL217, UL2034, CSFM, NFPA 72, NFPA 720, NFPA 101, ICC.

TECHNICAL SPECS

Alarm Dimensions:	5.0" Dia. x 2.0"H
Weight:	8.4 oz
Operating Voltage:	3V (Two 1.5V AA) Battery Powered
Temperature Range:	40°F (4°C) to 100°F (38°C)
Humidity Range:	10% to 95% relative humidity (RH)
Audio Alarm:	85dB at 10 feet
Wireless Frequency:	Z-Wave
Test/Silence:	Electronically simulates smoke and CO condition, causing the unit to alarm. Press and hold test/silence button.
Alarm Reset:	Automatic when smoke and/or CO clears
Smoke Sensor:	Photoelectric
CO Sensor:	Electrochemical
Listing:	Listed to UL217 and UL2034 Standards

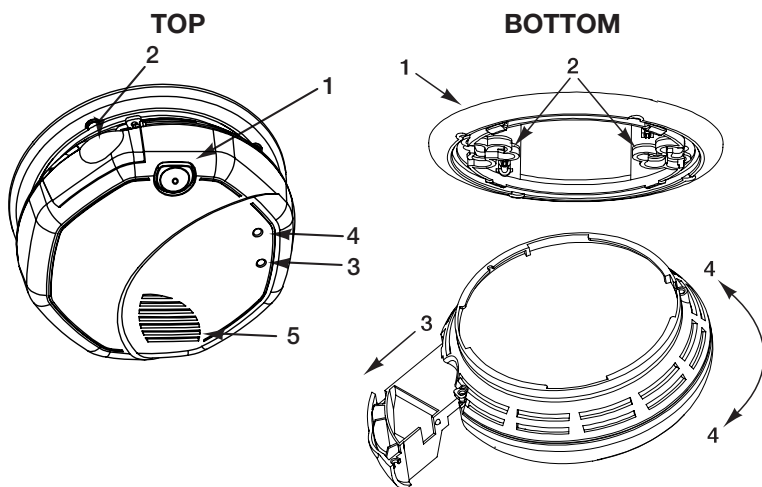
SHIPPING SPECS

Individual Clamshell Dimensions	7.00"W x 2.5"D x 8.375"H
Weight	0.78 lbs.
Cube	0.09 ft3
UPC	0 29054 01302 6
Master Carton Dimensions	7.63"L x 7.13"W x 8.88"H
Master Pack	3
Weight	2.65 lbs.
Cube:	0.30 ft3
I2of5:	300 29054 01302 7
Pallet Information	
Cases per Layer	30
Number of Layers:	5
Cases per Pallet:	150
Units per Pallet:	450
Cube:	50 ft3
Weight:	463 lbs.

INSTALLATION OF ALARM

Installation of this alarm must conform to NFPA 72 and NFPA 720. Always check your local building codes. Follow all instructions for placement as outlined in the user's manual in sections titled "Recommended Locations for Smoke Alarms" and "Locations to Avoid for Smoke Alarms".

THE PARTS OF THIS ALARM



TOP OF ALARM

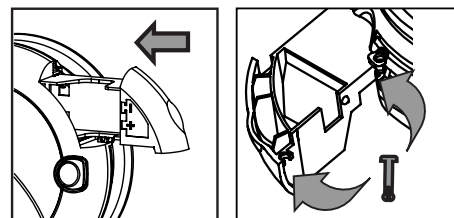
1. Test/Silence button
2. Slide open battery drawer
3. Power/Alarm LED
4. CO Alarm LED
5. Horn

BOTTOM OF ALARM

1. Mounting bracket
2. Mounting Slots & Locking tabs (Break out Tab)
3. Battery Drawer - Install 2 AA batteries here
4. Twist to attach and remove alarm from bracket

BATTERY DRAWER LOCK

Remove pin from mounting bracket. Close door. Insert pin in holes through alarm and battery drawer.



BRK
THE PROFESSIONAL STANDARD
brkelectronics.com

©2015 BRK Brands, Inc. a Jarden Corporation Company (NYSE: JAH); 3901 Liberty Street Road Aurora, IL 60504-8122; All rights reserved. First Alert is a registered trademark of the First Alert Trust. BRK is a registered trademark of BRK Brands, Inc. CM3238

This product is intended for non-professional do it yourself installation. If you would like information about a professionally installed and monitored system, please contact First Alert Professional at 1-800-921-6025. First Alert Professional is not affiliated with BRK Brands, Inc.