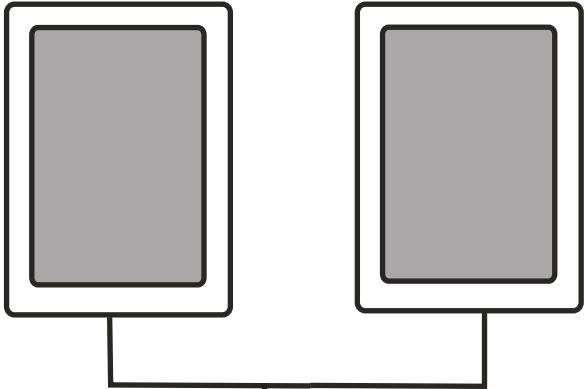
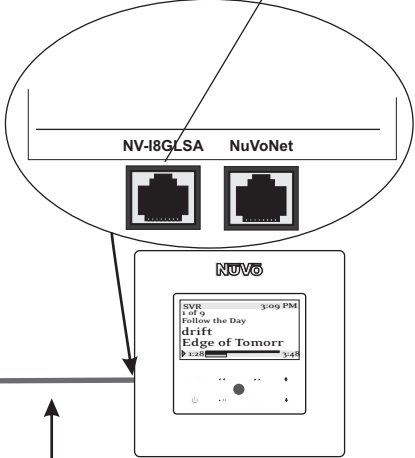
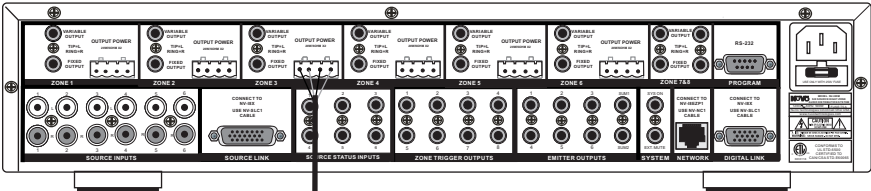


NuVo NV-LSI24 Local Source Interrupt Grand Concerto System Wiring Diagram



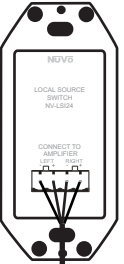
The selected zone speaker output of the Grand Concerto amplifier is wired directly to the LSI24



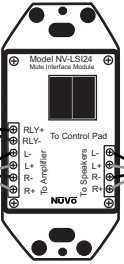
Grand Concerto Control Pad

The connection from the LSI24 is made through the Accessory RJ45 port on the back of the Control Pad terminated with standard 568A. The connection at the LSI24 requires the use of the Brown lead for positive and Brown Stripe for negative.

LSI24 front



LSI24 back

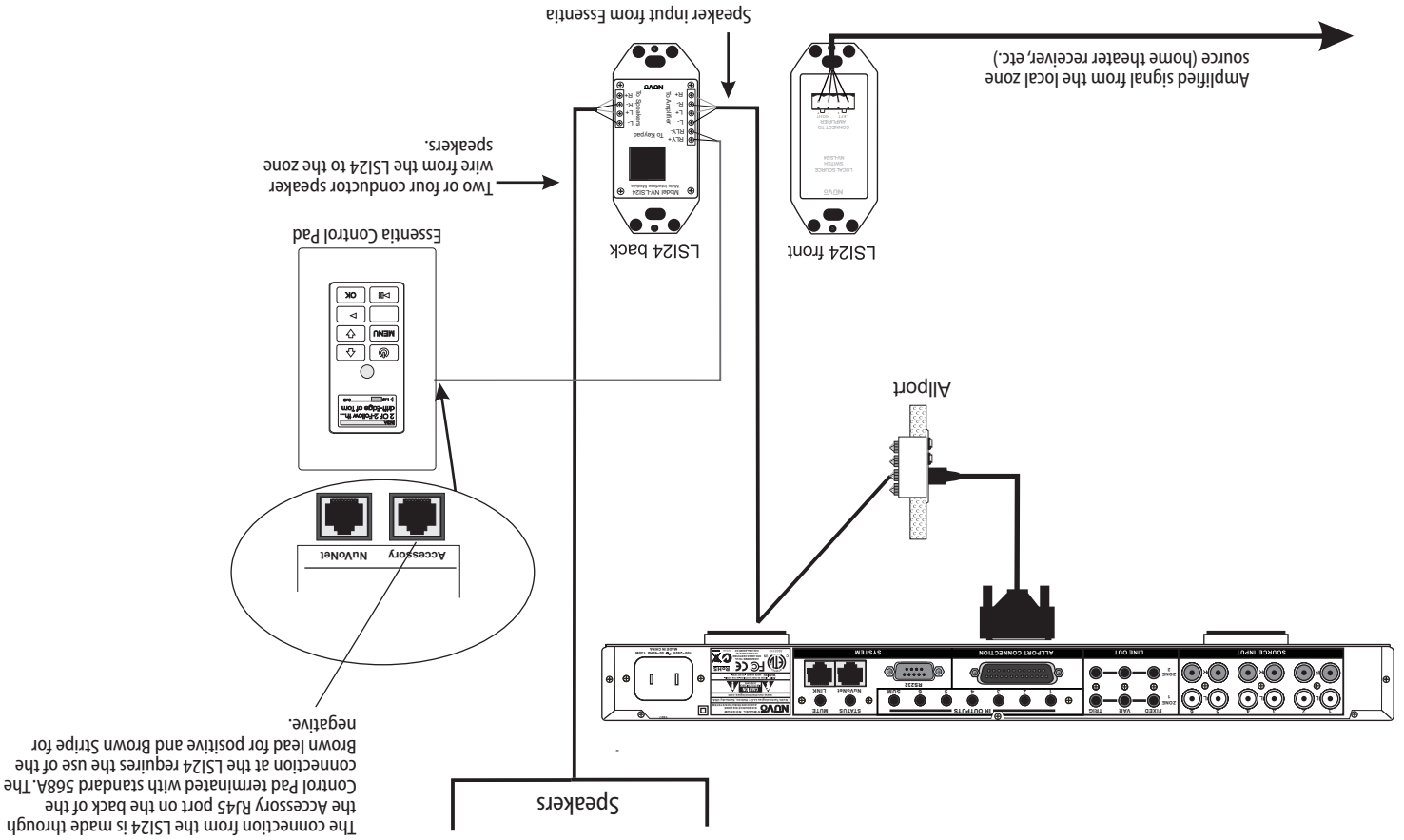


Amplified signal from the local zone source (home theater receiver, etc)

Speaker input from Grand Concerto

Two or four conductor speaker wire from the LSI24 to the zone speakers.

NuVo NV-LSI24 Essentia E6G Wiring Diagram



NV-LSI24 Local Source Interrupt Installation Guide

