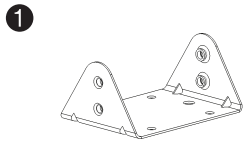
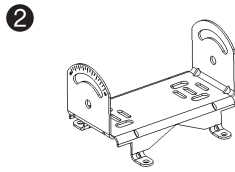


XWO-BAP1 Mounting Guide

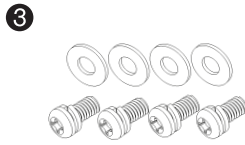
Mounting Installation Package Contents



Stainless steel mount #1 (qty 1)



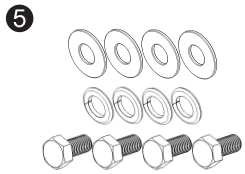
Stainless steel mount #2 (qty 1)



M4 machine screws (qty 4)
W4 flat washers (qty 4)



Screw anchors (qty 4)
Stainless steel screws (qty 4)

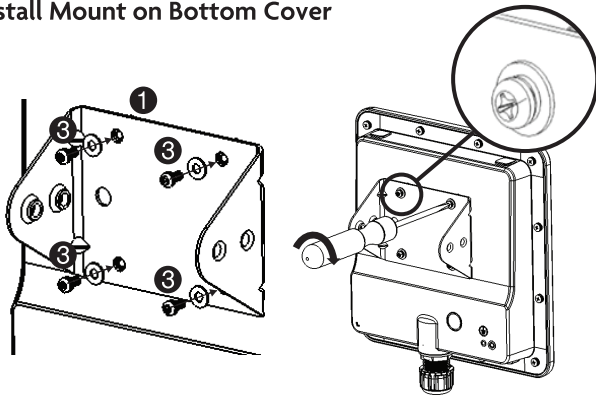


M5 machine screws (qty 4)
W5 flat washers (qty 4)
SW5 washers (qty 4)



1-1/2" stainless pipe strap (qty 1)

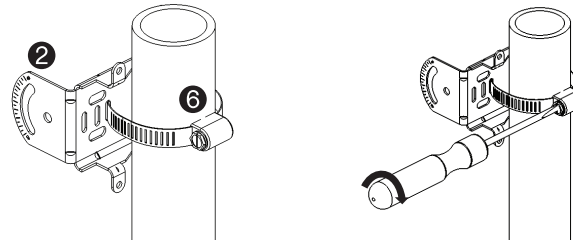
Install Mount on Bottom Cover



Use the M4 screws & W4 flat washers to attach the mount #1 to the access point.

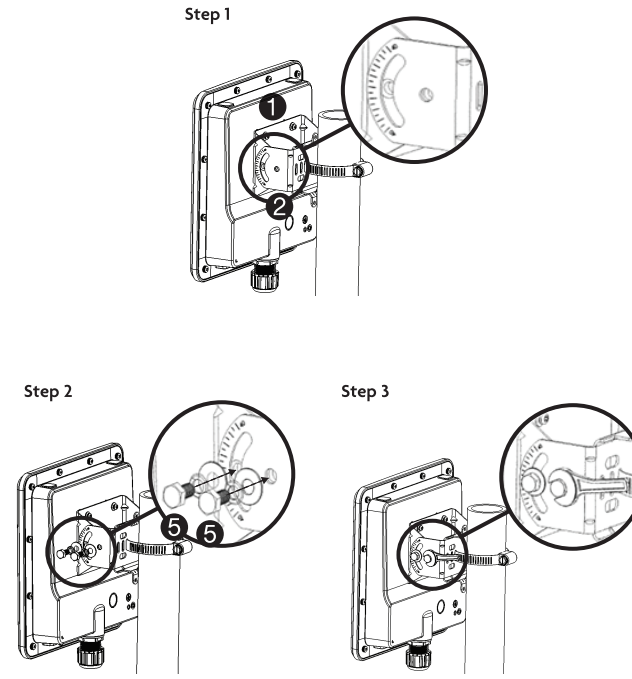
Use a Phillips screwdriver to tighten all four the M4 screws.

Mounting on a Pole 1-1/2" to 2-1/2" (40-64 mm)



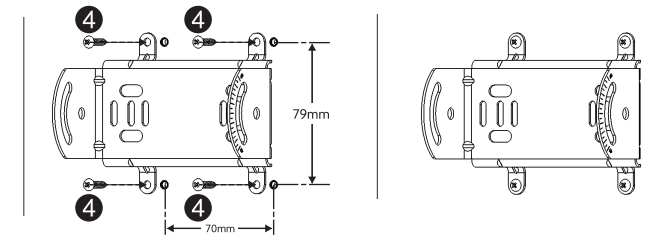
Attach stainless steel mount(2) to the pole using pipe strap/clamp. Installer may need to supply larger clamp if pole is larger than 1-1/2" diameter. Ensure strap/clamp is securely fastened.

Attach AP/Mount Assembly to Pole Mount



Step 1: Align mount #1 and mount #2 threaded holes.
Step 2: Attach mount halves using M5 screw, W5 flat washer, SW5 lock washer
Step 3: Use a wrench to tighten the four locking M5 screws.

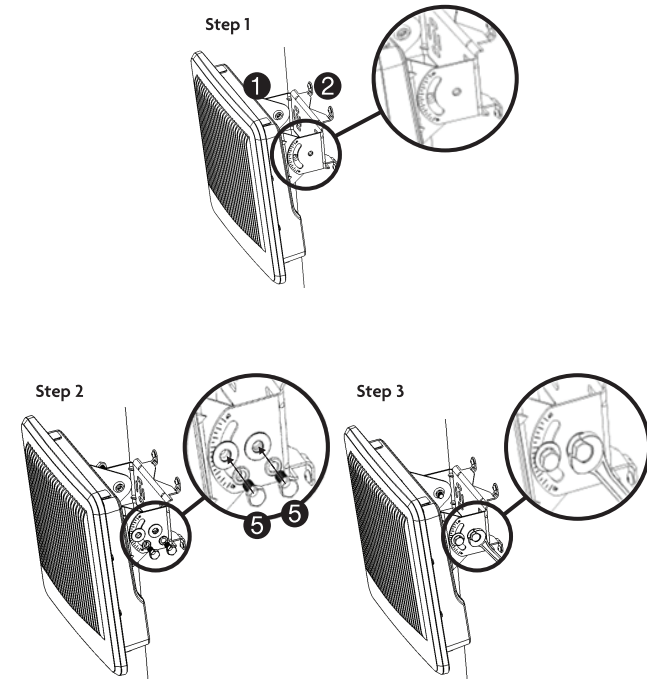
Mounting on a Wall



Pre-drill four blind holes in the wall. Hole spacing is 70mm horizontal and 79mm vertical.

Attach mount #2 to the wall using four screws or screws and anchors.

Attach AP/Mount Assembly to Wall Mount



Step 1: Align mount #1 and mount #2 threaded holes.
Step 2: Attach mount halves using M5 screw, W5 flat washer, SW5 lock washer
Step 3: Use a wrench to tighten the four locking M5 screws.