

# Single Pole and 3 Way with 3-Way Switch Application Wide View Motion Activated Light Control



Cat. Nos. DOS05, DVS05 - INDOOR USE ONLY  
Ratings: 120VAC, 60Hz 600 W Incandescent, 5 A Resistive, 300W LED and CFL, 400 VA ELV/MLV, 1/4 HP Motor

## WARNINGS

- **TO AVOID FIRE, SHOCK OR DEATH: TURN OFF POWER AT CIRCUIT BREAKER OR FUSE AND TEST THAT THE POWER IS OFF BEFORE WIRING!**
- **TO AVOID PERSONAL INJURY OR PROPERTY DAMAGE, DO NOT** install to control a receptacle, or a load in excess of the specified rating.
- To be installed and/or used in accordance with electrical codes and regulations.
- If you are not sure about any part of these instructions, consult an electrician.

## CAUTIONS

- To clean use a damp cloth with mild soap. **DO NOT** use disinfecting products, including foggers, sprays or other types of atomized cleaning agents.
- No user serviceable components. **DO NOT** attempt to service or repair.
- Use this device **WITH COPPER CLAD WIRE ONLY.**

PK-A3346-10-00-2A-X4

## INSTALLATION

ENGLISH

### Features

- Cat. Nos. DOS05 and DVS05 have a sensing angle of 180° and a sensing area of coverage of 30 x 30 ft. See coverage diagram for details.
- Adjustable ambient light (DOS05 only), time delay and area of coverage controls. See adjustment setting section for details.
- Indicator light alerts the user of device status.
- Adjustable time delay setting for 1, 5, 10 and 20 minutes plus a test mode with 5 seconds on. A Temporary Bypass mode that disables the Auto-on feature is available only for DOS05.

### Mounting Location

- The device responds to temperature changes and care should be taken when mounting the device.
- **DO NOT** mount directly above a heat source, in a location where hot or cold drafts will blow directly on the sensor, or where unintended motion (e.g., hallway traffic) will be within sensor's field-of-view.

### You Will Need:

- Slotted/Phillips screwdriver
- Electrical tape
- Cutters
- Pliers

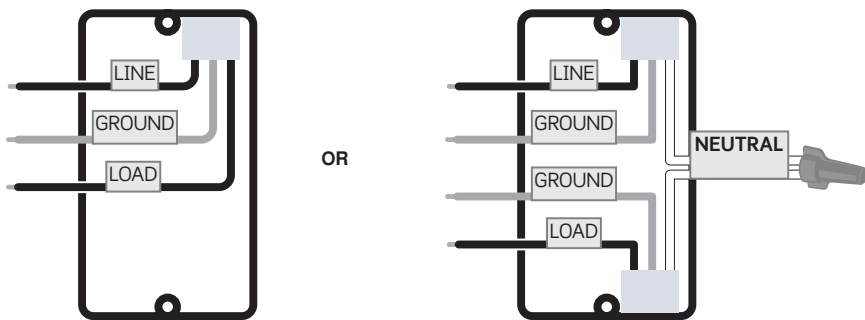
### Installation

**WARNING: TO AVOID FIRE, SHOCK OR DEATH,** turn off power at circuit breaker or fuse and test that the power is off before wiring.

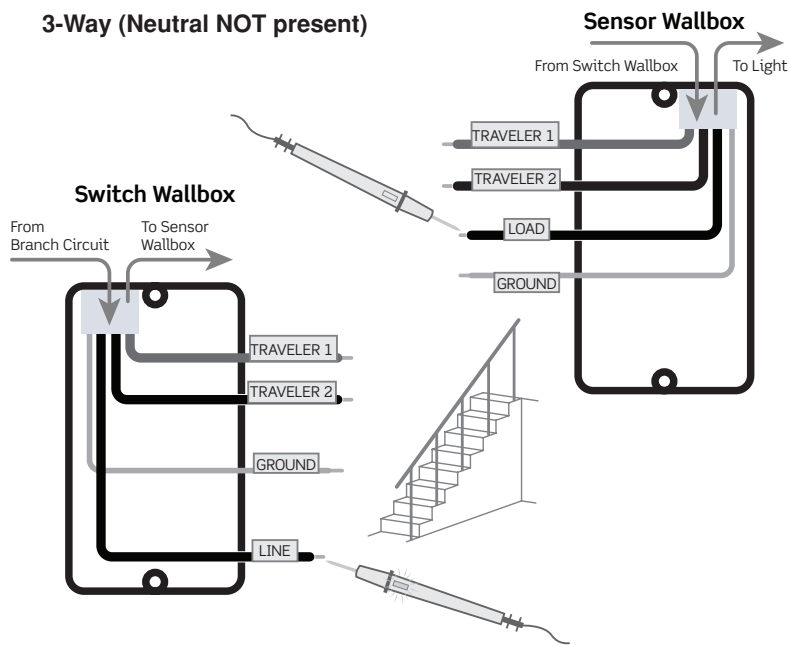
#### 1. Identify your wires (most common):

**NOTE: Neutral wire (if present), or a Ground wire is required for operation.** If the wiring in the wall box does not resemble this configuration, consult an electrician.

##### Single Pole

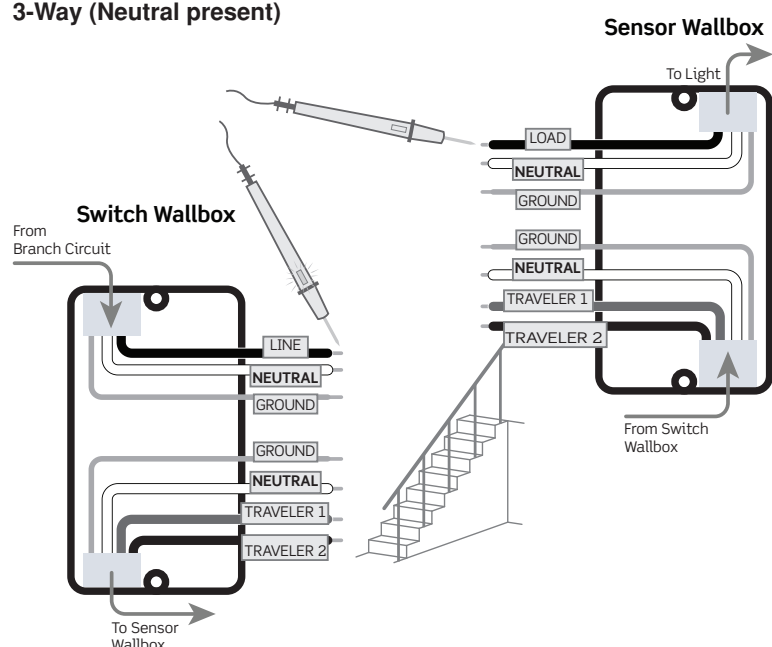


##### 3-Way (Neutral NOT present)



OR

##### 3-Way (Neutral present)



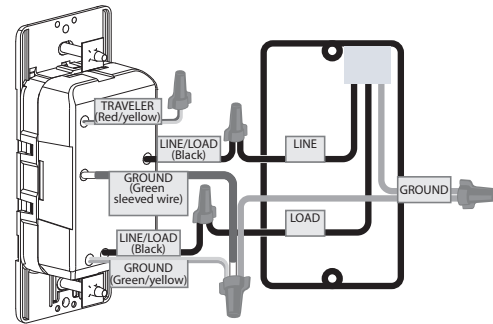
**NOTE:** Sensor must be installed in the location where the load wire is.

#### 2a. Wire (when Neutral is NOT present).

Working on one connection at a time, connect wires as shown.

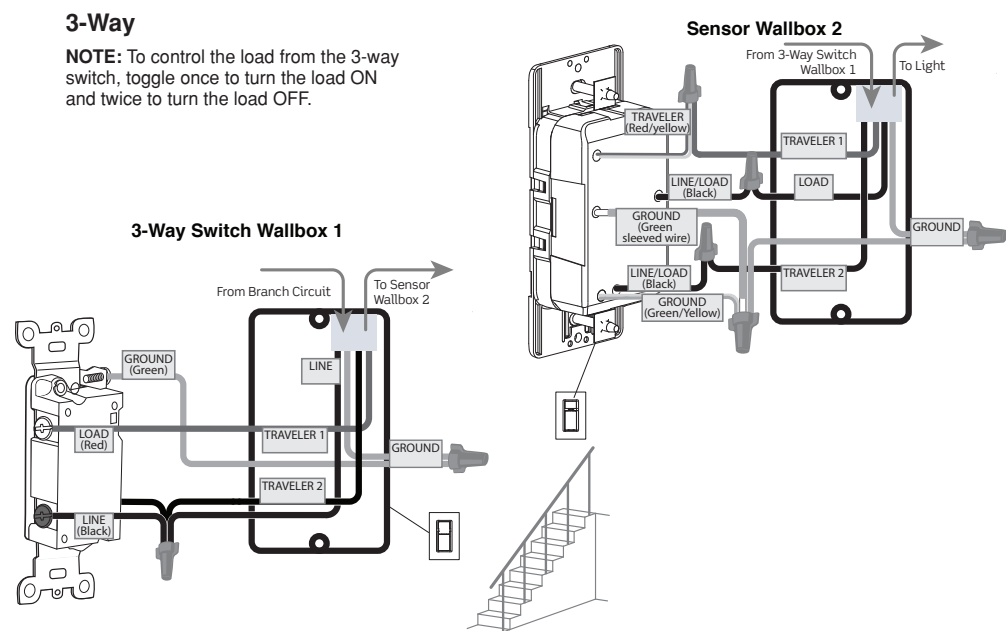
**NOTE:** This device is designed so the line and load wires can be wired interchangeably.

##### Single Pole



##### 3-Way

**NOTE:** To control the load from the 3-way switch, toggle once to turn the load ON and twice to turn the load OFF.

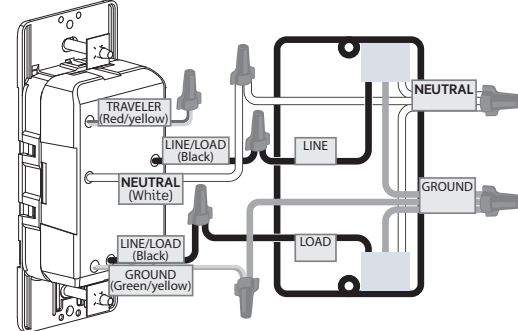


#### 2b. Wire (when Neutral is present).

Remove the GREEN sleeve from the white wire. Working on one connection at a time, connect wires as shown.

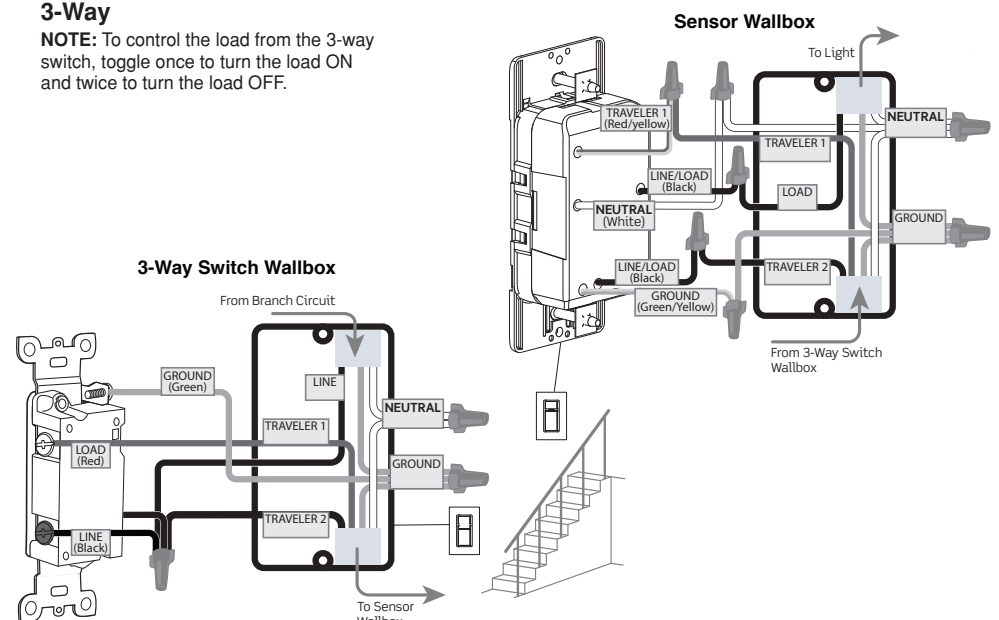
**NOTE:** This device is designed so the line and load wires can be wired interchangeably.

##### Single Pole



##### 3-Way

**NOTE:** To control the load from the 3-way switch, toggle once to turn the load ON and twice to turn the load OFF.



#### 3. Test and mount.

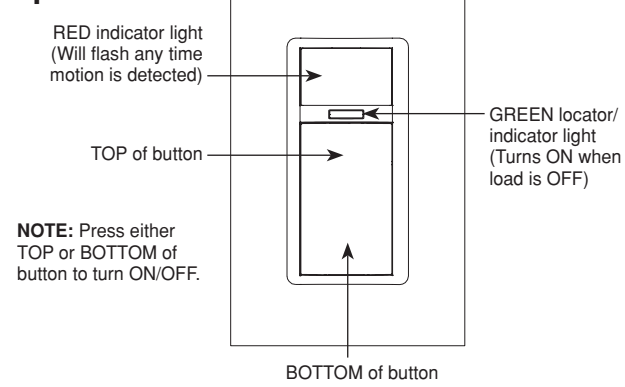
- Restore power. Wait 10-20 seconds for sensor to power up.
- DOS05: lights will automatically turn ON with first motion seen after warm up period, or press push pad.
- DVS05: press push pad. Lights should turn ON.

**NOTE:** If lights do not turn ON, refer to the "What to do if..." section.

**Turn off power at circuit breaker before completing the installation.**

- Gently push wires into wall box. Screw light control to box.
- Install wallplate.
- Restore power.

## Operation



## Programming

### 1. How to change the settings.

How to choose a setting and option		
In order to...	Do this...	Indicator light will...
Enter programming mode	Hold TOP and BOTTOM button for 5 seconds	GREEN light will be solid ON for 5 seconds. NOTE: if nothing happens, device is already in programming mode
Change settings (Timer, Sensitivity, Ambient Light)	Single press TOP button = advance to the next setting (see table below)	RED light will blink to indicate column selected (Timer ->Sensitivity ->Ambient Light ->Timer) (Example: Column 1 = 1 blink/sec)
Change options within a setting	Single press BOTTOM button = advance to the next option (see table below)	GREEN light will blink to indicate option selected Examples: Option 1 = 1 blink/sec Option 2 = 2 blinks/sec
Save and exit settings	Hold either TOP or BOTTOM button for 5 seconds	GREEN light will be solid ON for 5 seconds

**NOTE:** If there is no activity for 30 seconds, the device will automatically exit programming mode and setting changes will not be saved. Multiple settings can be saved by entering the programming settings once, selecting desired settings and then save and exit.

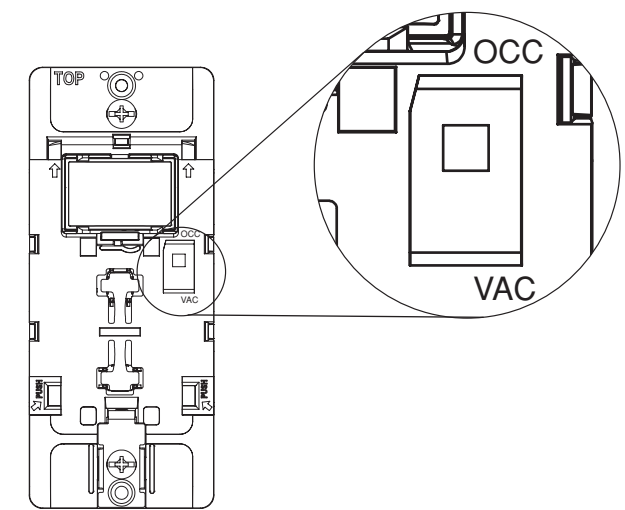
Setting Types and Options (defaults are in bold)			
Option Number	Column 1 TIMER (Duration of time for which load is ON since last detected motion)	Column 2 SENSITIVITY (Sensitivity to motion – adjusting the major and minor detection range.)	Column 3 DOS05 ONLY - AMBIENT LIGHT (If the room is brighter than the setting selected, the load will not turn ON.)
Option 1	1 minute	Low (50% Range)	Low Light level
Option 2	5 minutes	Medium	Medium Light level
Option 3	<b>10 minutes</b>	High	High/Brightest light level
Option 4	20 minutes	All settings to default	Disabled – turns ON for all light levels

### 2. When to use occupancy or vacancy.

Modes	When to use this setting	Time	Amount of Ambient Light Present	Turns light ON when...	Light turns OFF when...
Occupancy (DOS05 only)	When automatic ON/OFF lighting control is desired.	Any	1. Low - Light will turn ON automatically if room is darkest. 2. Medium - Light will turn ON automatically if room has more light. 3. High - Light will turn ON automatically if room has the most light. 4. Disabled - Light will turn ON always.	User walks into the view of the sensor when the light is OFF and it is darker than the ambient light level set. OR TOP or BOTTOM of button is pushed.	No motion is detected for the duration of the programmed time period. OR TOP or BOTTOM of button is pushed.
Vacancy	When Manual ON, Automatic OFF lighting control is desired.	Any	N/A	TOP or BOTTOM of button is pushed. OR User moves around within 30 secs of the light turning OFF.	TOP or BOTTOM of button is pushed. OR No motion is detected for the duration of the programmed time period.

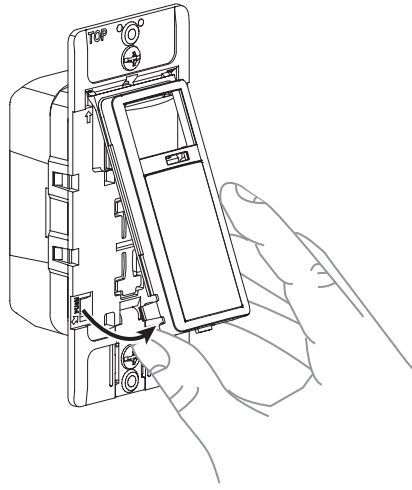
### Occupancy/Vacancy Switch (DOS05 only)

Remove color kit and wallplate to access.

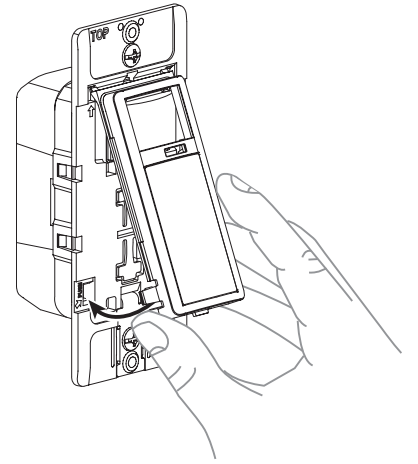


## Changing your device color

### Remove



### Replace

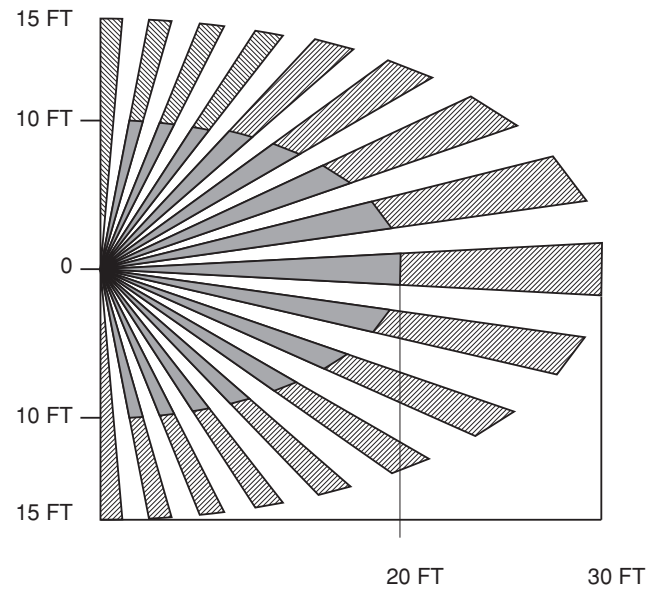


### 3. Using advanced modes.

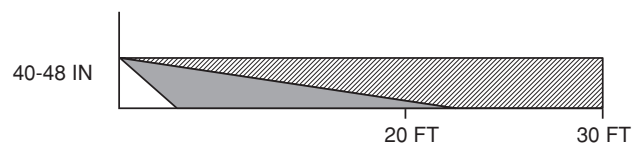
Mode name	To enable this mode...	The device will...
<b>Test Mode</b>	Press and hold TOP of button for 5 seconds. To exit, press TOP or BOTTOM of button or it will automatically exit after 2 minutes.	Turn on the load for 5 seconds every time motion is detected. RED light will blink 1x/2 sec when in Test Mode. Locator LED function is disabled while motion detection function is active.
<b>Temporary Bypass Mode</b> (Available for occupancy sensors only)	Press and hold BOTTOM of button for 5 seconds. To exit, press TOP or BOTTOM of button.	Ignore motion keeping the light/load off. GREEN light will double flash every 2 seconds.
<b>Programming Mode</b> (See Programming directions below)	Hold TOP and BOTTOM of button for 5 seconds.	GREEN light will be solid ON for 5 seconds. <b>NOTE:</b> if nothing happens, device is already in programming mode.

## Sensing Area Coverage

### 1. Horizontal field of view:



### 2. Vertical field of view:



## What to do if...

Issue	Make this adjustment
Lights do not operate with push pad and RED indicator does not blink when motion is present	<ul style="list-style-type: none"> <li>Verify wiring connections to sensor.</li> </ul>
Lights do not switch ON when motion is detected - DOS05	<ul style="list-style-type: none"> <li>Motion is beyond sensing range - move closer to switch.</li> <li>Adjust the light level lower (Option 3, 2, 1 or disable).</li> <li>The RED light will blink to indicate motion. If it is blinking and the load is not turning ON, it could be due to ambient light OR it check to make sure that the Occ-Vac switch is in OCC position.</li> </ul>
Lights always stay ON	<ul style="list-style-type: none"> <li>Check time delay settings and compare to how long the lights stay ON.</li> <li>Make sure no motion occurs in coverage area for time selected by covering the lens.</li> <li>Check that switch is not installed near a heat source (like stove, lights, heat vents) or detecting motion from an adjacent area (like hallway traffic) and if it is, relocate it.</li> </ul>
Lights do not turn ON - DVS05	<ul style="list-style-type: none"> <li>Make sure that control is installed correctly.</li> <li>Make sure the power is ON.</li> <li>Check to make sure the light bulb is functional.</li> </ul>

**FCC STATEMENT:** This device complies with Part 15 of the FCC Rules. Operation is subject to following two conditions: (1) this device may not cause harmful interference, and (2) this device must accept any interference received, including interference that may cause undesired operation of the device. This equipment has been tested and found to comply with the limits for a Class B Digital Device, pursuant to Part 15 of the FCC Rules. These limits are designed to provide reasonable protection against harmful interference in a residential installation. This equipment generates, uses, and can radiate radio frequency energy and, if not installed and used in accordance with the instructions, may cause harmful interference to radio communications. However, there is no guarantee that interference will not occur in a particular installation. If this equipment does cause harmful interference to radio or television reception, which can be determined by turning the equipment OFF and ON, the user is encouraged to try to correct the interference by one or more of the following measures:

- Reorient or relocate the receiving Antenna.
- Increase the separation between the equipment and the receiver.
- Connect the equipment into an outlet on a circuit different from that to which the receiver is connected.
- Consult the dealer or an experienced radio/tv technician for help.

**FCC CAUTION:** Any changes or modifications not expressly approved by Leviton Manufacturing Co., Inc., could void the user's authority to operate the equipment.

### FOR CANADA ONLY

For warranty information and/or product returns, residents of Canada should contact Leviton in writing at Leviton Manufacturing of Canada Ltd to the attention of the Quality Assurance Department, 165 Hymus Blvd, Pointe-Claire (Quebec), Canada H9R 1E9 or by telephone at 1-800-405-5320.

**LIMITED 5 YEAR WARRANTY** For Leviton's limited product warranty, go to [www.leviton.com](http://www.leviton.com). For a printed copy of the warranty, call 1-800-824-3005.

Patents covering this product, if any, can be found on [www.leviton.com/patents](http://www.leviton.com/patents).

Leviton and Block and Design logo is a registered trademark and Decora is a trademark of Leviton Mfg. Co., Inc.

© 2020 Leviton Mfg. Co., Inc.

For Technical Assistance Call: 1-800-824-3005 (USA Only)  
or 1-800-405-5320 (Canada Only) [www.leviton.com](http://www.leviton.com)

PK-A3346-10-00-2A-X4

# ARTWORK PRINT SPECIFICATIONS

**PART NUMBER** PK-A3346-10-00-2A-X4      **REV** \_\_\_\_\_      **DESCRIPTION** Instruction Sheet

\* Artwork must be printed at 100% (1:1 scale)

### Material Specifications: North America Suppliers

- \* Thickness: 0.0040/ 0.0038
- \* Material: 20lb Bond / 50lb Offset Paper
- \* Recycled Content: N/A
- \* Exterior Brightness: 95/ 89-92
- \* Finish: N/A/ Smooth or Vellum

### Material Specifications: Asia Suppliers

- \* Thickness: 0.003/ 0.0027
- \* Material: 55G / 60G Offset Paper
- \* Recycled Content: N/A
- \* Exterior Brightness: 90
- \* Finish: N/A

\* For manuals - designates cover specifications

### Color:

No. of Color(s): 1 over 1

1: Black \_\_\_\_\_  Spot

2: \_\_\_\_\_  CMYK

3: \_\_\_\_\_

4: \_\_\_\_\_

### Fonts:

1: Helvetica \_\_\_\_\_

2: \_\_\_\_\_

3: \_\_\_\_\_

4: \_\_\_\_\_

### Die Line Key:

- Perforate
- Die Cut
- Fold Line
- Kiss Cut
- Cellophane
- Glue

## MANUAL INTERIORS / BINDERY / FOLD SCHEME :

Body Material: \_\_\_\_\_

Thickness: \_\_\_\_\_

### Bindery

- Die cut       Fold       Saddle Stitch
- Perfect Bind       Drill       Trim

No. of Color(s): \_\_\_\_\_ over \_\_\_\_\_

1: \_\_\_\_\_  Spot

2: \_\_\_\_\_  CMYK

3: \_\_\_\_\_

4: \_\_\_\_\_

### Fonts:

1: \_\_\_\_\_

2: \_\_\_\_\_

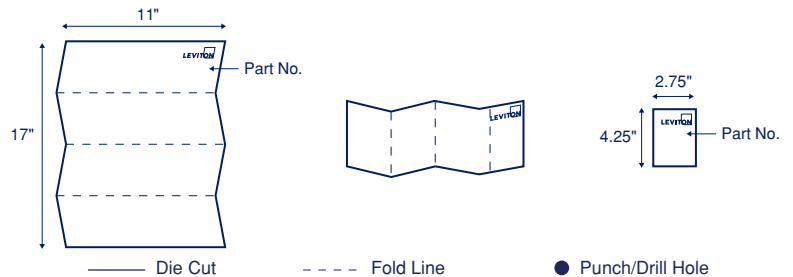
3: \_\_\_\_\_

4: \_\_\_\_\_

## PROCESS :

- Offset       Flexo
- Other \_\_\_\_\_
- Line Screen: \_\_\_\_\_
- Angle: \_\_\_\_\_
- Resolution: \_\_\_\_\_

## DIMENSIONS / FOLD SCHEME / BINDERY DIAGRAM



## COMMENTS :

\_\_\_\_\_

\_\_\_\_\_

The information in this document is the exclusive PROPRIETARY property of LEVITON MANUFACTURING COMPANY, INC. It is disclosed with the understanding that acceptance or review by the recipient constitutes an undertaking by the recipient. (1) to hold this information in strict confidence, and (2) not to disclose, duplicate, copy, modify or use the information for any purpose other than that for which disclosed.

## FOR LEVITON USE ONLY

- Approvals:  Plant 08 H. Cai (cc: J. Tang)       CQA \_\_\_\_\_       PM T. Babich
- Mktg \_\_\_\_\_       Eng A. Jahan       S & A cc: J. Lowe
- Cust \_\_\_\_\_       Other DLRESIAPPENG@leviton.com       Other Legal: V. LoNigro IP Legal: C. Buttitta

PN-ARN: RS0366-6570

ECR Number: \_\_\_\_\_

Pilot Rev: \_\_\_\_\_

Artist: S.LoPinto

Released Artwork Format: Production PDF

Artwork Release Date: --/--/--

Notes: \_\_\_\_\_