



Leviton Timer Switches offer advanced features, superior accuracy, and contemporary aesthetics. Our robust selection provides automatic timed control of lighting and motor loads in homes, offices, schools, libraries, and other small commercial applications. An easy upgrade, automatic timers are convenient, help reduce energy costs and improve security.

Set lights to automatically turn on and off at designated times. Our versatile selection includes fully programmable and preset countdown timer switches in popular styles and colors. We also offer smart timers as part of our Decora Smart® line so users can manage, schedule and control lighting anytime, from anywhere using the My Leviton app or their favorite voice assistant. All are backed by Leviton's long history of quality and reliability.

### Applications

Porch and landscape lighting, interior lights, bathroom exhaust fans, heat lamps, pool pumps, hot tubs, saunas, attic fans, small closets, basements, garages and more.



## Features and Benefits

- Replaces a standard wall switch (neutral required on select models)
- Soothing green LEDs
- Contemporary styling coordinates with Leviton's Decora® wiring devices
- Compatible with Decora Plus™ screwless wallplates

### 5-Button Decora Countdown Timer Switches

- Four preset buttons and OFF
- Simple press and hold override function
- Leaded terminals for easier installation
- Shallow design easily fits in the wallbox
- Controls LED, CFL, Incandescent, Halogen, Magnetic Low Voltage, Electronic Low Voltage, Fluorescent or Motor loads
- Zero Cross turn-on technology to extend the life of the switching relays
- Additional faceplate colors (DTKIT) available in white, ivory, light almond, gray, black and brown

### DT1xx 15 Amp Models

- Available in six options: 15-, 30-, 60-minute and 2-, 4-, 12-hour
- Single pole only
- Flexible wiring can be connected to Neutral wire if present in the wallbox, or Earth ground if no Neutral wire is present
- Interchangeable line and load wires

### DT2xx 20 Amp Models

- Available in five options: 30-, 60-minute and 2-, 4-, 12-hour
- Single pole or multi-way when used with a DD0SR Switch Companion, or can be used in 3-way with an additional DT2xx Timer
- Neutral wire required for installation
- Supports larger loads

### Decora 24-Hour Programmable Timer Switch

- Timer settings at-a-glance with large, back-lit display
- Flexibility to program weekdays, weekends, or any combination of days
- Astronomical clock automatically adjusts to local sunrise/sunset times
- Automatic daylight saving time adjustment option
- Rechargeable battery keeps time during temporary power outages
- Controls LED, CFL, Incandescent, Halogen, Fluorescent or Motor loads
- Additional faceplate colors (VPTKT) available in gray and black
- VPT24-16Z has one-touch temporary and permanent override

### Agency Standards and Compliance

- Complies with FCC Part 15, Class B
- cCSAus Certified (File # 3413, Class 4823-56 and 4823-86)
- VPT24-16Z can be used to comply with 2019 and 2022 California Title 24, Part 6, Residential Outdoor Control Device Requirements

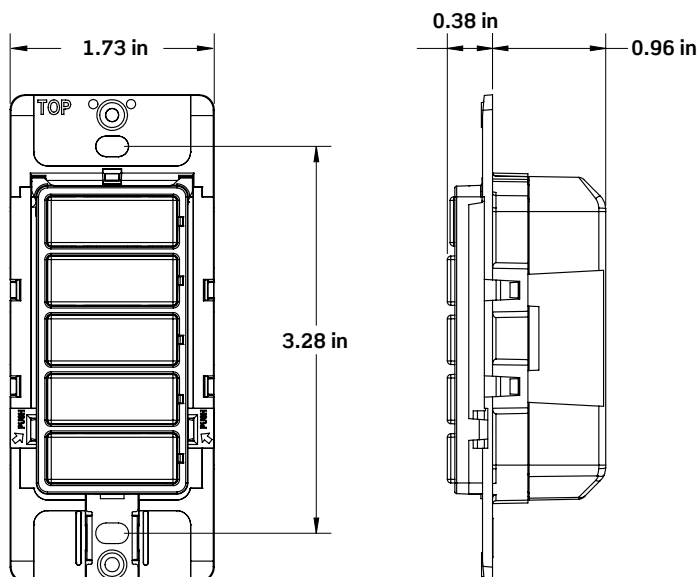
### Warranty Information

Five-year limited warranty

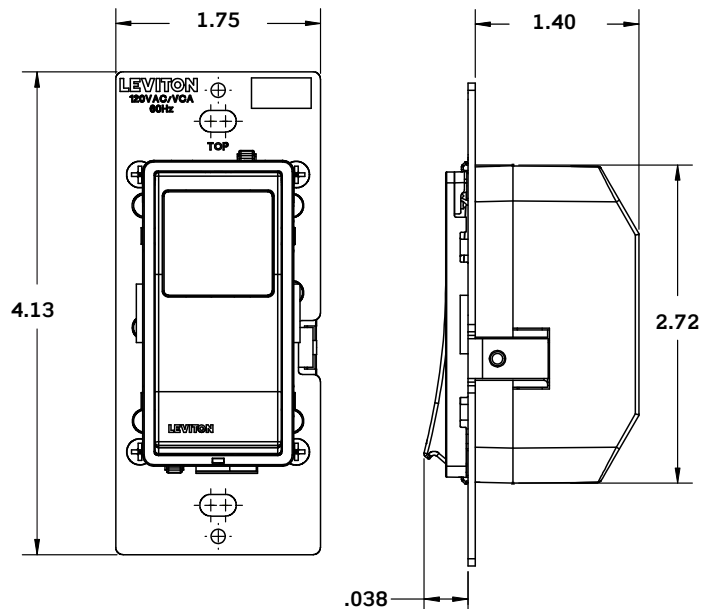
### Installation Considerations

- DO NOT use to control lighting if it is the only light source in the area

## Dimensional Drawings



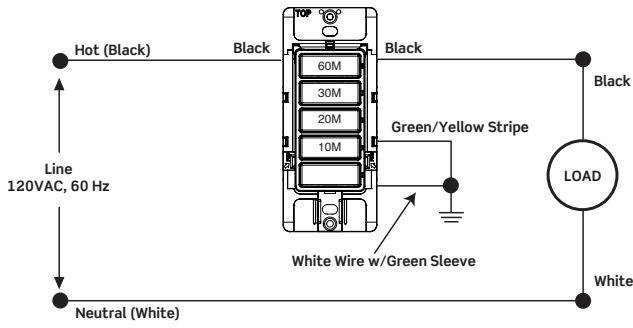
DT1xx, DT2xx



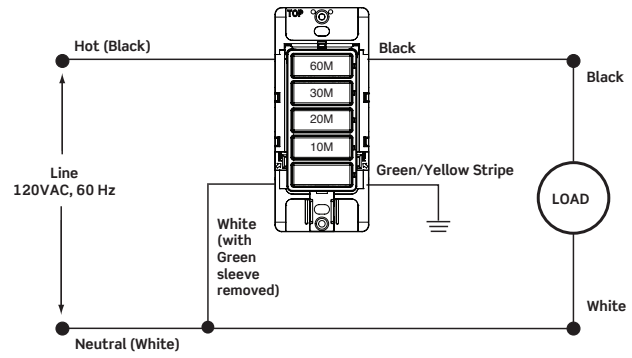
VPT24

# Wiring Diagrams

## Cat. Nos. DT1xx

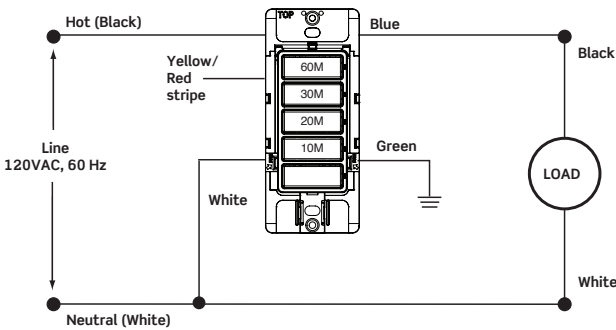


Single Pole, No Neutral Wire

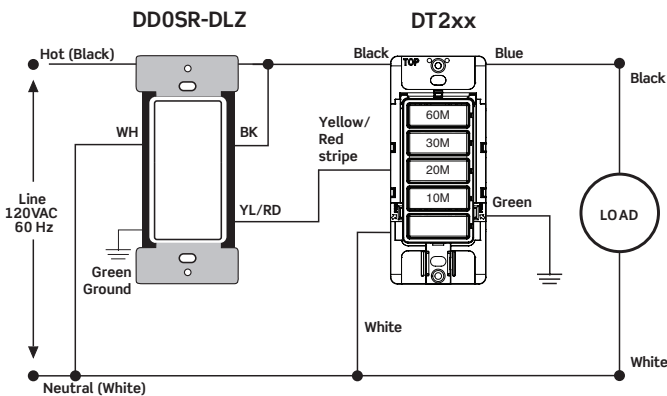


Single Pole, with Neutral Wire

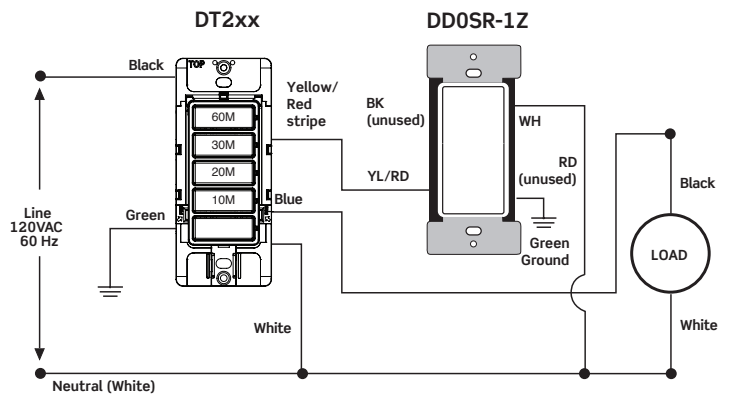
## Cat. Nos. DT2xx



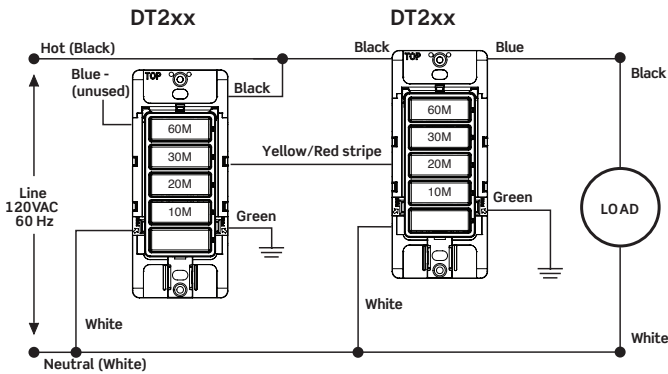
Single Pole, with Neutral Wire



3-Way with Switch Companion  
(Up to Four DD0SR-DLZ can be used)



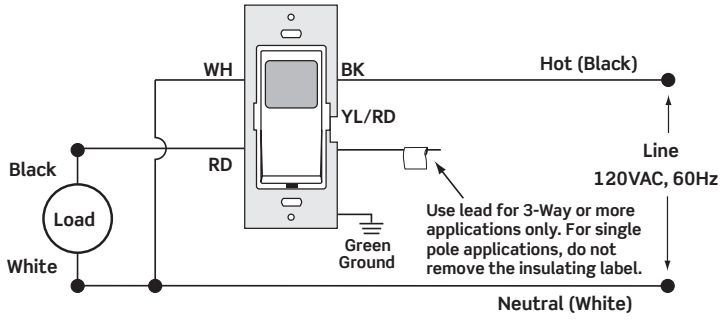
3-Way with Switch Companion, no LED  
(Up to Nine DD0SR-1Z can be used)



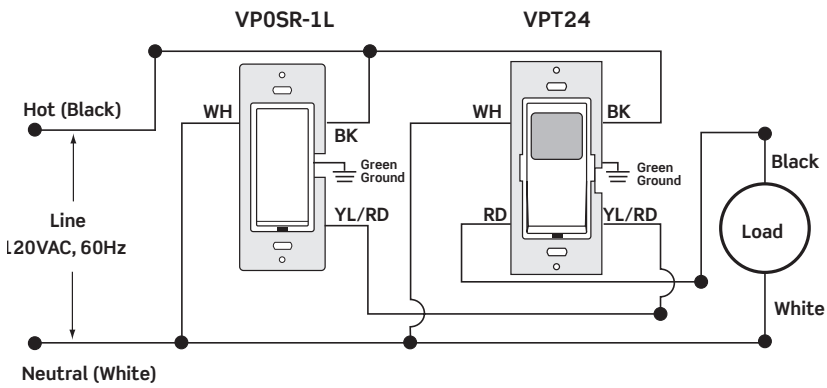
3-Way with Two DT2xx Timers

# Wiring Diagrams

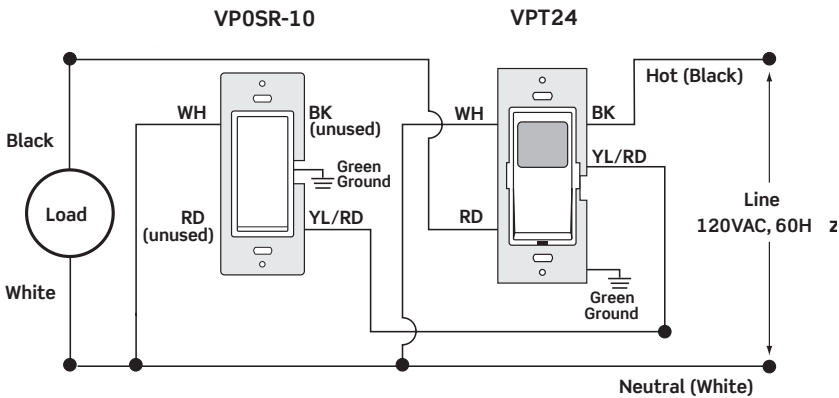
Cat. No. VPT24



Single Pole with Neutral Wire



3-Way with Switch Companion  
(up to Four VPOSR-1L can be used)



3-Way with Switch Companion, no LED  
(up to Nine VPOSR-10 can be used)



## Ordering Information

Description	Interval	Rating (120VAC, 60Hz)	Cat. No.	Color*
15-Minute Decora 15 Amp Countdown Timer, Single Pole	2-5-10-15 Minutes	600W LED/CFL 1800W Incandescent/Halogen 1200VA ELV/MLV/Fluorescent 1/2 HP Motor 15A Resistive	DT115-1L	W
30-Minute Decora 15 Amp Countdown Timer, Single Pole	5-10-15-30 Minutes		DT130-1L	W
60-Minute Decora 15 Amp Countdown Timer, Single Pole	10-20-30-60 Minutes		DT160-1L	W
2-Hour Decora 15 Amp Countdown Timer, Single Pole	15-30 Min, 1-2 Hour		DT102-1L	W
4-Hour Decora 15 Amp Countdown Timer, Single Pole	30 Min, 1-2-4 Hour		DT104-1L	W
12-Hour Decora 15 Amp Countdown Timer, Single Pole	2-4-8-12 Hour		DT112-1L	W
30-Minute Decora 20 Amp Countdown Timer, Single Pole or multi-way when used with a DD0SR Switch Companion, or multi-timer with additional DT2xx, neutral required	5-10-15-30 Minutes	600W LED/CFL 1800W Incandescent/Halogen 1200VA ELV/MLV/Fluorescent 1 HP Motor 20A Resistive/15A Inductive	DT230-1L	W
60-Minute Decora 20 Amp Countdown Timer, Single Pole or multi-way when used with a DD0SR Switch Companion, or multi-timer with additional DT2xx, neutral required	10-20-30-60 Minutes		DT260-1L	W
2-Hour Decora 20 Amp Countdown Timer, Single Pole or multi-way when used with a DD0SR Switch Companion, or multi-timer with additional DT2xx, neutral required	15-30 Min, 1-2 Hour		DT202-1L	W
4-Hour Decora 20 Amp Countdown Timer, Single Pole or multi-way when used with a DD0SR Switch Companion, or multi-timer with additional DT2xx, neutral required	30 Min, 1-2-4 Hour		DT204-1L	W
12-Hour Decora 20 Amp Countdown Timer, Single Pole or multi-way when used with a DD0SR Switch Companion, or multi-timer with additional DT2xx, neutral required	2-4-8-12 Hour		DT212-1L	W
Switch Companion for use with 20A Countdown Timer Switch for 3-way or up to 4 additional locations with LED Locator, neutral required	N/A		120V/277V, 60Hz	DD0SR-DL
Switch Companion for use with 20A Countdown Timer Switch for 3-way or up to 9 additional locations, neutral required	N/A	120V, 60Hz	DD0SR-01	Z
Decora 24-Hour Programmable Timer with astronomical clock, neutral required	24-Hour Programmable	600W LED/CFL 1800W Incandescent/Halogen 15A Fluorescent 1 HP Motor	VPT24-1P	Z
Decora 24-Hour Programmable Timer with astronomical clock, neutral required, can be used to comply with 2019 and 2022 California Title 24, Part 6, Residential Outdoor Control Device Requirements			VPT24-16	Z, W
Switch Companion for use with the 24-Hour Programmable Timer Switch for 3-way or up to 4 additional locations with LED Locator, neutral required	N/A	120VAC, 60Hz	VPOSR-1L	Z
Switch Companion for use with the 24-Hour Programmable Timer Switch for 3-way or up to 9 additional locations, neutral required	N/A	120VAC, 60Hz	VPOSR-10	Z

\* To order colors, add suffix to basic Cat. No. Products with suffix (-Z) include White, Ivory and Light Almond. Other colors include: White (-W) only. DT130-1L and DT160-1L are available in Light Almond (-T) as special order only.

## Faceplate Colors

Description	Cat. No.	Color
Color Change Faceplates for Decora Countdown Timers	DTKIT-00	W, I, T, G, E, B
Color Change Faceplates for Decora 24-Hour Programmable Timer	VPTKT-00	G, E

Color change kits available in the following colors: White (-W), Ivory (-I), Light Almond (-T), Gray (-G), Black (-E), and Brown (-B).



Visit our Website at: [www.leviton.com/timers](http://www.leviton.com/timers)

© 2023 Leviton Manufacturing Co., Inc. All rights reserved.

