

Switch with Z-Wave Technology

decora smart



APPLICATION

The Z-Wave Plus Switch uses the latest generation of Leviton's lighting control technology. It supports LED and CFL technologies up to 600 Watts along with support for legacy incandescent lighting loads up to 1800 Watts, along with support for Fluorescent, Resistive, and Motor loads. The DZ15S is Z-Wave Plus certified, ensuring the latest technology, increased communication range, network wide inclusion, and over the air updates. The new lighting control accessories are engineered to function with extremely sensitive, low-wattage light sources, such as a single LED bulb in a hallway or a strand of holiday lights, ensuring LEDs do not glow when off. The highly advanced design features two-way feedback, is scene capable, and is supported by security systems, hubs, and gateways.

AESTHETICS

Switches leverage the popular Decora form factor and styling, along with compatible accessories including three-way devices, color

change kits, and wallplates. The switches feature true rocker action, pressing the top to turn on and the bottom to turn off. To meet any decor, color change kits are available in white, ivory, light almond, gray, black, and brown. For the most professional and cleanest installation, pair the device with an optional Leviton screwless wallplate.

Z-WAVE PLUS CERTIFICATION

- Increased communication range
- Network Wide Inclusion
- Support for beaming and secure commands
- Over The Air (OTA) updates

FEATURES AND BENEFITS

- Rated for CFL and LED loads up to 600W
- Rated for incandescent loads up to 1800W
- Compatible with Leviton vizia rf + systems
- Multi-location (3-way) dimming is achieved using DD0SR-1 Coordinating Remote (no LED indicator) or DD0SR-DL Matching Remote (with LED indicator).

AGENCY STANDARDS AND COMPLIANCE

- Complies with UL 917
- CSA Certified to Standard 177
- Z-Wave Plus Certified

RATINGS

- Incandescent - 1800W - 120VAC, 60Hz
- LED/CFL - 5A, 600W - 120VAC, 60Hz
- Fluorescent - 15A - 120VAC, 60Hz;
8A - 277VAC, 60Hz
- Resistive - 15A - 120VAC, 60Hz
- Motor - 1/2 HP - 120VAC, 60Hz

WARRANTY INFORMATION

Five-Year Limited Warranty

Leviton Manufacturing Co., Inc. Global Headquarters

201 N. Service Rd. Melville, NY 11747-3138 Tech Line: 1-800-824-3005 Fax: 1-800-832-9538

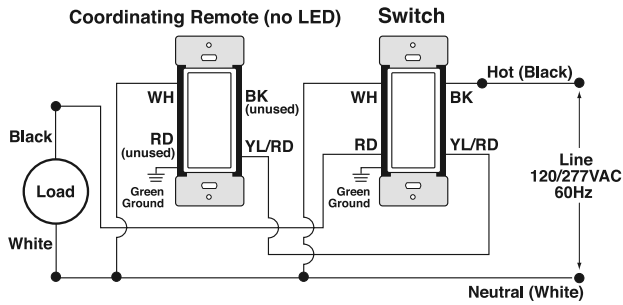
Leviton Manufacturing Co., Inc. Energy Management, Controls and Automation.

4330 Michoud Blvd., New Orleans, LA, 70129 Tel: 1-504-736-9810 Fax: 1-504-253-2954

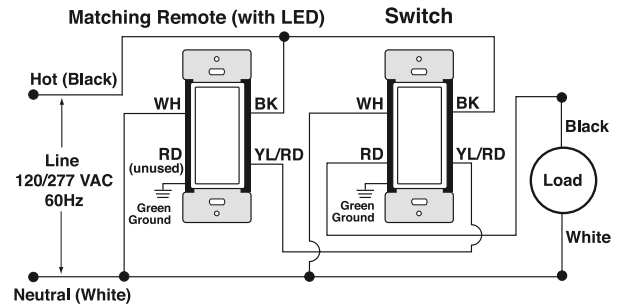
Visit our Website at: www.leviton.com/emca

©2017 Leviton Manufacturing Co., Inc. All rights reserved. Subject to change without notice.

SINGLE POLE WIRING DIAGRAM



THREE-WAY WIRING DIAGRAM



ORDERING INFORMATION

DESCRIPTION	CAT. NO.
15A Switch with Z-Wave Technology	DZ15S-1
Coordinating Switch Remote	DD0SR-1
Matching Switch Remote	DD0SR-DL

Switch with Z-Wave Technology

Leviton Manufacturing Co., Inc. Global Headquarters

201 N. Service Rd. Melville, NY 11747-3138 Tech Line: 1-800-824-3005 Fax: 1-800-832-9538

Leviton Manufacturing Co., Inc. Energy Management, Controls and Automation.

4330 Michoud Blvd., New Orleans, LA, 70129 Tel: 1-504-736-9810 Fax: 1-504-253-2954

Visit our Website at: www.leviton.com/emca

©2017 Leviton Manufacturing Co., Inc. All rights reserved. Subject to change without notice.

SAT-10110
REV JAN 2017