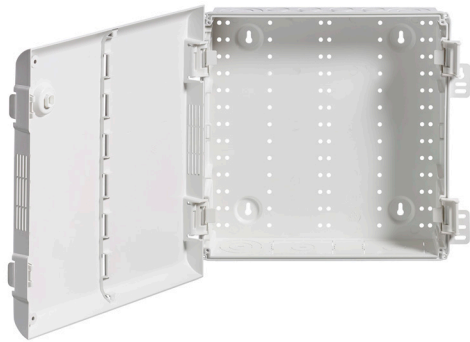


14-Inch Wireless Structured Media™ Center

APPLICATION

Structured Media Centers provide an excellent termination and mounting location for in-home structured wiring systems and components. The 14-Inch Wireless Structured Media Center allows the full reach of a wireless network, as opposed to standard metal enclosures that can limit the range of a wireless signal.



Wireless 14" Enclosure with
Vented Hinged Door (49605-14P)

SPECIFICATION

The enclosure shall be molded from UL-rated ABS flame-retardant polymer. The enclosure shall be suitable for new construction or retrofit installations and shall allow for flush mounting on standard 16" on-center studs with four wood screws (not provided) or for surface mounting on a variety of surfaces capable of supporting the enclosure and contents. The enclosure shall include multiple removable knockouts on the top and bottom to support conduit fittings and to facilitate cable routing and entry. The enclosure shall accept all Leviton Structured Media panels, modules, brackets, and mounting plates. The enclosure shall allow for installation of two single-gang j-boxes or a full-size Leviton power module.

Optional vented covers and vented hinged doors shall be available to promote airflow into the enclosure. The enclosure design shall allow hinged doors to open from the left or right and provide for toolless door installation. Optional door locks shall be available. An optional trim ring shall be available to cover drywall cut irregularities and to retrofit a plastic vented hinged door to an existing metal enclosure, allowing for greater RF transparency.

FEATURES

- Uses ABS polymer construction to permit the full reach of wireless signals by diminishing the effect of interference
- 180-degree hinged cover allows for quick and easy access to network equipment
- Makes servicing and expansion easy with seven 1-inch and three 2-inch knockouts and additional 1-inch nested knockouts
- Compatible with Leviton Connected Home patch panels, voice, data, video, and audio distribution modules
- Assures safety with UL compliant ABS flame-retardant polymer
- Vented door assists in airflow for cooling active gear
- Ratcheting Hinge & Latch System creates fast, tool-free door installations and helps accommodate for wall imperfections
- Existing metal enclosure can be retrofitted for RF transparency by using Trim Ring Accessory (49605-14T) and door (49605-14S)
- Optional door locks available

DESIGN CONSIDERATIONS

- 14-inch height for added equipment space
- Allows for installation of two single-gang J-boxes or a single full-size power module
- Not intended for installation in a fire-rated wall

STANDARDS COMPLIANCE

Meets or exceeds all applicable standards and agency requirements:

- UL Standard 2416 – audio/video, information, and communication technology equipment cabinet, enclosure, and rack systems
- RoHS

PHYSICAL SPECIFICATIONS

Dimensions: See page two

Materials: ABS Polymer

COUNTRY OF ORIGIN

USA

WARRANTY INFORMATION

For a copy of Leviton product warranties, visit www.leviton.com/warranty.

ELECTRONIC FILES

For CAD files, typical specs, or technical drawings (.DXF, .DWG), visit www.leviton.com.

Leviton Network Solutions

2222 - 222nd St. SE
Bothell, WA 98021-4416

tel 1-800-824-3005
tel +1-425-486-2222
appeng@leviton.com
www.leviton.com

Asia / Pacific

T +1.631.812.6228
E infoasean@leviton.com

Europe

T +44.0.1592.772124
E customerserviceeu@leviton.com

Canada

T +1.514.954.1840
E pcservice@leviton.com

Mexico

T +52.55.5082.1040
E lsamarketing@leviton.com

Caribbean

T +1.954.593.1896
E infocaribbean@leviton.com

Middle East & Africa

T +971.4.247.9800
E imeinfo@leviton.com

China

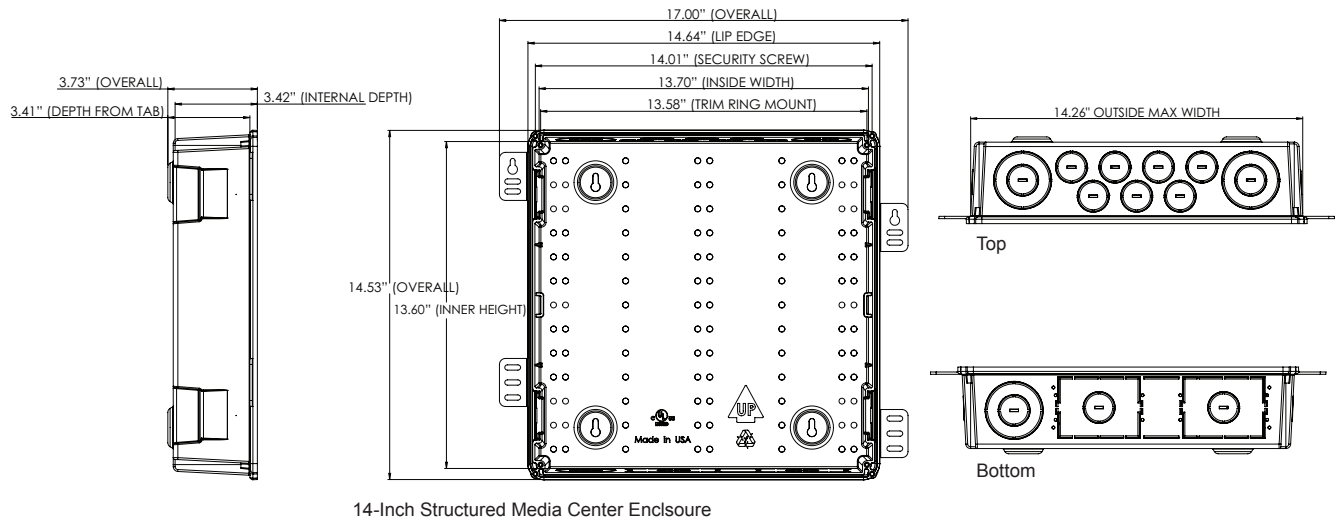
T +852.2774.9876
E infochina@leviton.com

South Korea

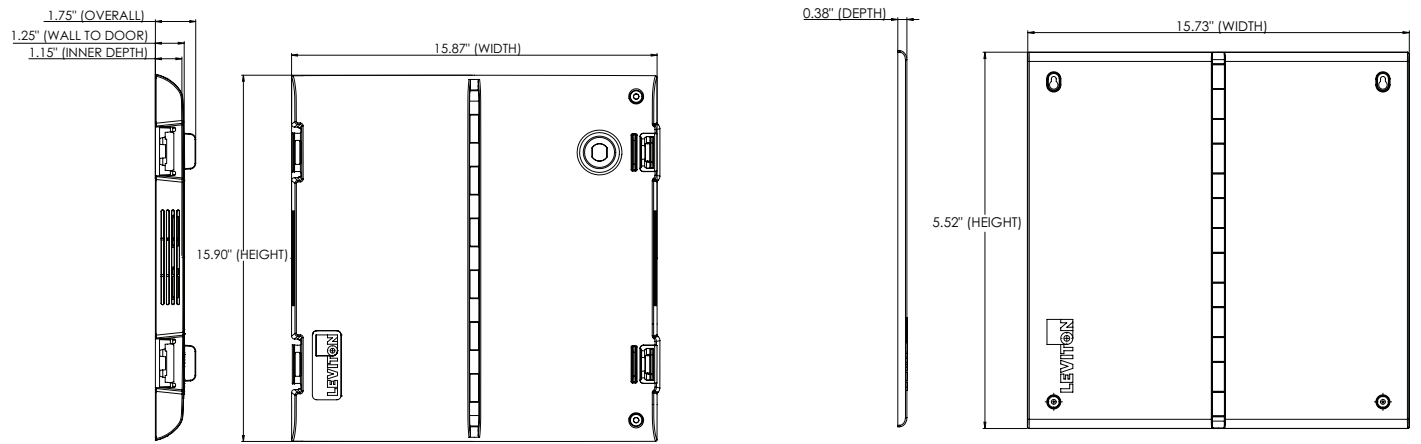
T +82.2.3273.9963
E infokorea@leviton.com

Colombia

T +57.1.743.6045
E infocolombia@leviton.com

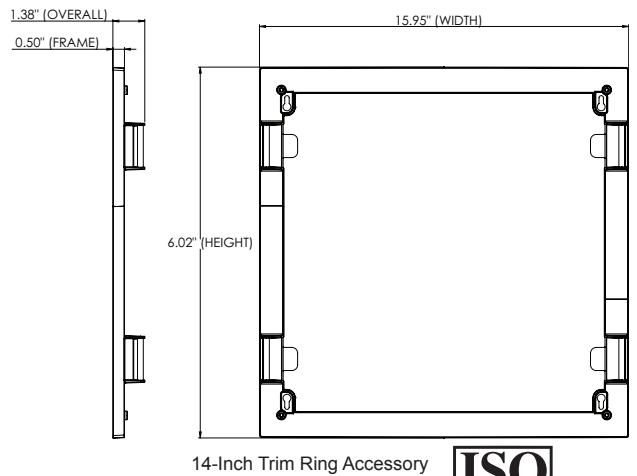


49605-14x



PART NUMBERS

Description	Part No.
Wireless 14-Inch Enclosure with Vented Hinged Door	49605-14P
Wireless 14-Inch Enclosure Only	49605-14E
Wireless 14-Inch Vented Hinged Door	49605-14S
Wireless 14-Inch Vented Hinged Door, Bulk Pack of 12	49605-14B
Wireless 14-Inch Enclosure with Vented Cover	49605-140
Wireless 14-Inch Enclosure, Bulk Pack of 12	49605-14G
Wireless 14-Inch Vented Cover, Bulk Pack of 12	49605-14F
Wireless 14-Inch Trim Ring Accessory	49605-14T
Structured Media Center Lock and Key	5L000-L0K



<p>Leviton Network Solutions 2222 - 222nd St. SE Bothell, WA 98021-4416</p> <p>tel 1-800-824-3005 tel +1-425-486-2222 appeng@leviton.com www.leviton.com</p>	<p>Asia / Pacific T +1.631.812.6228 E infoasean@leviton.com</p>	<p>Canada T +1.514.954.1840 E pcservice@leviton.com</p>	<p>Caribbean T +1.954.593.1896 E infocaribbean@leviton.com</p>	<p>China T +852.2774.9876 E infochina@leviton.com</p>	<p>Colombia T +57.1.743.6045 E infocolombia@leviton.com</p>
	<p>Europe T +44.0.1592.772124 E customerserviceeu@leviton.com</p>	<p>Mexico T +52.55.5082.1040 E lsamarketing@leviton.com</p>	<p>Middle East & Africa T +971.4.247.9800 E lmeinfo@leviton.com</p>	<p>South Korea T +82.2.3273.9963 E infokorea@leviton.com</p>	