

# Compact Series: 4 Telephone, 4 Data and 6-way Video Panel

## APPLICATION

Leviton's Compact Series: 4 Telephone, 4 Data and 6-way Video Panel combines a Combo Phone and Data board and a 6-way 1 GHz splitter on a dedicated plastic bracket for essential telephone, data, and TV RF signal distribution in an apartment, small house, or condominium. The Combo Board bridges the incoming telephone wiring to up to four Cat 5e cables running to four telephone locations in the home. The board also enables patching input for four data connections from a router or Ethernet switch to four Cat 5e cables to computer or other network device locations. In addition, the included passive splitter connects an incoming TV RF signal to RG6 coaxial cable runs to as many as six different TV locations in the home.

## FEATURES

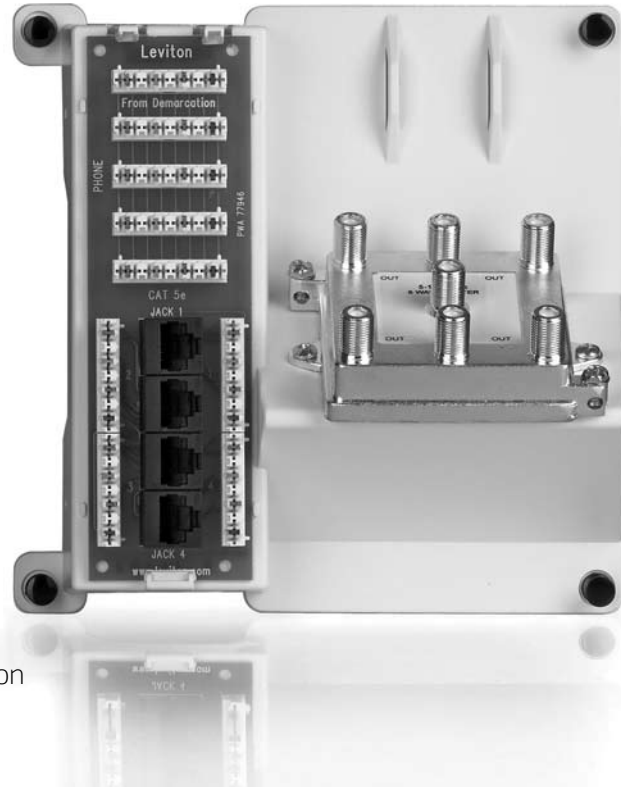
- Offers essential telephone, data and video distribution
- Includes 4 IDC punchdowns to support 4 telephones in 4 locations
- Includes 4 Data jacks for patching data to 4 network device locations
- Includes 6-way SCTE compliant splitter for up to 6 TV locations

## NOTES

- Determine outlet locations and carefully plan cable routing to ensure the selected unit satisfies requirements
- Install 75 ohm termination caps on unused outputs of the 6-way splitter to reduce TV noise and RF EMI/EMR from the splitter

## TYPICAL SPECIFICATION

The Compact Series Telephone, Data and 6-way Video Panel shall meet all applicable standards: TIA/EIA-570-B and FCC Part 68 compliance. The panel shall handle up to four telephone lines to four telephone connections, making it suitable for phone, fax or modem. The Panel shall also distribute data through four Cat 5e jacks and support up to six TV outputs. The unit shall include a plastic mounting bracket, Combo Phone and Data Board and 6-way 1 GHz SCTE compliant passive splitter. The manufacturer shall provide a two-year limited product warranty.

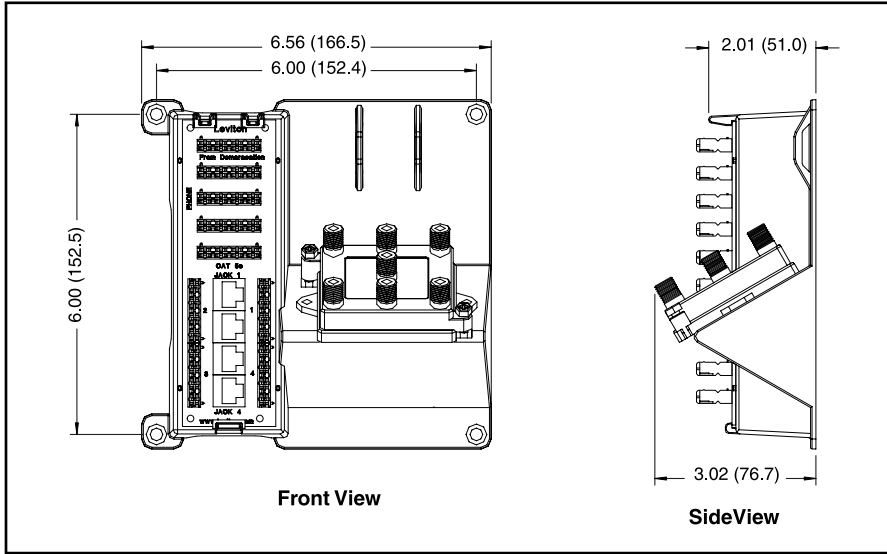


4 Telephone, 4 Data and 6-way Video Panel - 47603-DP6

## Leviton Mfg. Co., Inc.

59-25 Little Neck Pkwy, Little Neck, NY 11362-2591 Tech Line: 1-800-824-3005 Fax: 1-800-832-9538 www.leviton.com  
 © 2008 Leviton Manufacturing Co., Inc. All rights reserved. Subject to change without notice.

## DIMENSIONAL DRAWINGS



## WARRANTY INFORMATION

Two-year limited product warranty

**For Applications Engineering Support - call 1-425-485-4288; in USA call 1-800-722-2082. Spec sheets and updates are also available at [www.leviton.com](http://www.leviton.com)**

### ORDERING INFORMATION

CAT. NO.	DESCRIPTION
47603-DP6	4 Telephone, 4 Data and 6-way Video Panel

#### Leviton Manufacturing Co., Inc.

59-25 Little Neck Pkwy, Little Neck, NY 11362-2591

Telephone: 1-800-323-8920 • Fax: 1-800-832-9538 • Tech Line: (8:30AM-7:30PM E.S.T. Monday-Friday): 1-800-824-3005

#### Leviton Manufacturing of Canada, Ltd.

165 Hymus Boulevard, Pointe Claire, Quebec H9R 1E9 • Telephone: 1-800-469-7890 • Fax: 1-800-563-1853

#### Leviton S. de R.L. de C.V.

Lago Tana 43, Mexico DF, Mexico CP 11290 • Tel. (+52) 55-5082-1040 • Fax. (+52) 5386-1797 • [www.leviton.com.mx](http://www.leviton.com.mx)

**Visit our website at [www.leviton.com](http://www.leviton.com)**

© 2008 Leviton Manufacturing Co., Inc. All rights reserved. Subject to change without notice.



B-1321/108-dp