

QuickPort® 2-Port Surface Mount Housing

APPLICATION

Compact housing for 1- or 2-port surface mounting of QuickPort® snap-in modules. Use to support voice/data applications in open office, retrofit or other surface mount environments. (Connectors sold separately.)

STANDARDS COMPLIANCE

Meets or exceeds all applicable standards: UL Listed; complies with NEC® Article 800.

PHYSICAL SPECIFICATIONS

Dimensions: 2.52"H x 2.22"W x 1.10"D
Capacity: 1 or 2 snap-in modules
Materials: High-impact, fire-retardant plastic rated UL 94V-0
Mounting: Use screws (included), adhesive tape (included), or magnet (PN# 41030-SMJ)

DESIGN CONSIDERATIONS

- Very small footprint.
- Can be used for 1- and 2-port applications.
- Specify whether the product will mount with adhesive tape or screws or magnet.
- Specify side or rear cable entry. (Rear entry is recommended to help meet cable bend radius standards).
- A blank insert is included to allow for future expansion.
- Specify port identification method (colored modules, designation labels, and custom silkscreening are available). To ID ports, use different colored connectors for each application (13 TIA/EIA-606 compatible colors are available), or Leviton's pre-printed Port Designation Labels.
- Security screw option.

UNIQUE FEATURES

- Very small footprint/profile.
- The housing base functions as a punchdown platform for stabilizing connectors during termination.
- Includes a blank to allow for use as a 1- or 2-port device, and allow for future expansion when only one port is initially used.
- Security screw option.
- Four color choices: ivory, white, grey and black.

See ELECTRONIC FILES for CAD files (.DXF, .DWG, MS-DOS.EPS) on disk



INSTALLATION NOTES

- To install connectors: snap into base and terminate. Attach base to desired surface (using screws or tape), and snap on cover.
- The housing base doubles as a punchdown platform for terminating connectors.
- If desired, connectors can be pre-terminated prior to snapping into housing.
- Detailed installation instructions are included in the carton.

WARRANTY INFORMATION

For a copy of Leviton product warranties, log on to www.levitonvoicedata.com/warranty.

For ELECTRONIC Typical Specs see (.TXT) file on disk.

TYPICAL SPECIFICATION

Surface mount telecommunications outlet housings shall be a high-density low profile design with (2) two field-configurable ports, snap-lock cover, and cable knockouts on back. Housing cover shall have raceway knockouts for top and bottom entry. Base shall include Tie-wrap anchor points at all cable entrances. The housing shall be mountable with screws, tape or a single magnet. The cover shall provide the option of securing it to the base with a screw that is hidden under the outlet identification window. Colors and configurations to be specified per schedule on plan. Must be constructed of high-impact self-extinguishing plastic rated UL 94V-0, and be UL Listed and compliant with FCC Part 68 and TIA-568- B specifications.

QuickPort® 2-Port Surface Mount Housing



For Technical Support Call 1-425-485-4288; in USA call 1-800-824-3005.
Spec sheets and updates are also available at www.levitonvoicedata.com.

2222 - 222nd St. SE • Bothell, WA 98021 USA
Tel: 1-800-722-2082 / 1-425-485-4288 • Fax: 1-425-483-5270 • Int'l Fax: 1-425-485-9170 • GSA Schedule Available



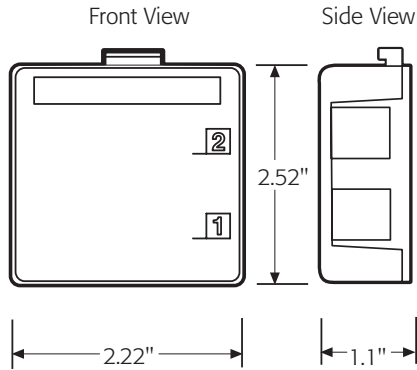
QuickPort® 2-Port Surface Mount Housing

Part Number
41089-2xP

.....

DIMENSIONAL LINE ART

See ELECTRONIC FILES for CAD images
(.DXF, .DWG, MS-DOS.EPS)



PART NUMBER

Description	Part No.
2-Port Surface Mount Housing (with 1 blank)	41089-2*P
Magnets	41030-SMJ

* = color: Ivory (I), White (W), Grey (G), Black (E)



For Technical Support Call 1-425-485-4288; in USA call 1-800-824-3005.
Spec sheets and updates are also available at www.levitonvoicedata.com.



2222 - 222nd St. SE • Bothell, WA 98021 USA • Tel: 1-800-722-2082 / 1-425-485-4288 • Fax: 1-425-483-5270 • Int'l Fax: 1-425-485-9170 • GSA Schedule Available