

QuickPort® 106 Style Inserts

APPLICATION

Field-configurable housings in several NEMA styles accept all individual QuickPort snap-in modules (sold separately). Use to support multimedia applications where a flush-mount electrical-wallplate look is desired, or where there will be multiple devices — or a combination of electrical and voice/data devices — under a multi-gang wallplate.



Quad 106



Duplex 106

SPECIFICATION

The workstation connector housing shall be a field-configurable NEMA-style housing that mounts flush in standard NEMA openings, and under standard duplex electrical wallplates in single or multiple gangs. It shall provide ports which are field-configurable with a variety of simplex snap-in connector modules. The insert shall be constructed of high-impact, fire-retardant plastic rated UL 94V-0, and be UL Listed, and compliant with FCC Part 68 and ANSI/TIA-568-C specifications. Colors, configurations and related wallplates to be specified per schedule on plan. The manufacturer shall provide a one-year limited product warranty and 15-year product performance guarantee. The manufacturer shall provide a lifetime warranty against defects in material and workmanship and an application guarantee when installed as part of a certified system.

Page 1 of 2

FEATURES

- Five color choices (Ivory, Light Almond, White, Grey, Black)
- Fits within minimum NEMA openings
- Compatible with all individual QuickPort modules
- Brass threaded insert for wallplate screw facilitates installation
- Narrow module width allows high port density in a small area
- The Quad 106 features a built-in termination station which stabilizes connectors during punchdown

DESIGN CONSIDERATIONS

- Use where a flush-mount electrical-style wallplate look is desired
- Fits most locations where NEMA duplex opening exists (including floor monuments, access floor boxes, power poles, poke-through fixtures, etc.)
- Available in single or multiple gangs
- If ganged with electrical devices, a barrier box must be used
- Put blanks (41084-B*B) in unused ports for future expansion
- Specify port identification method (colored modules, designation labels, and custom silkscreening are available). To ID ports, use different colored connectors for each application (13 available ANSI/TIA-606 compatible colors), or Leviton's pre-printed Port Designation Labels (41080-LXB).

STANDARDS COMPLIANCE

Meets or exceeds all applicable standards:

Quad 106: UL listed; complies with NEC Article 800 and ANSI/TIA-568-C.

Duplex 106: cULus listed, CSA certified, complies with NEC Article 800 and ANSI/TIA-568-C.

PERFORMANCE SPECIFICATIONS

Materials:	High-impact, fire-retardant plastic rated UL 94V-0
Capacity:	Quad 106: 1-4 ports. Duplex 106: 1-2 ports
Dimensions:	Quad 106: 1.4" W x 4.1" H x 1.18" D (loaded) Duplex 106: 1.744" W x 4.1" H x 1.2" D (loaded)

WARRANTY INFORMATION

visit www.leviton.com/warranty.

Leviton Network Solutions
2222 - 222nd St. SE
Bothell, WA 98021-4416

tel 1-800-824-3005
tel +1-425-486-2222
appeng@leviton.com
www.leviton.com

Asia / Pacific
T +1.631.812.6228
E infoasean@leviton.com

Europe
T +33.6.8869.1380
E infoeurope@leviton.com

Canada
T +1.514.954.1840
E pcservice@leviton.com

India / SAARC
T +91.80.4322.5678
E infoindia@leviton.com

Caribbean
T +1.954.593.1896
E infocaribbean@leviton.com

Mexico
T +52.55.5082.1040
E lsamarketing@leviton.com

China
T +852.2774.9876
E infochina@leviton.com

Middle East & Africa
T +971.4.886.4722
E lmeinfo@leviton.com

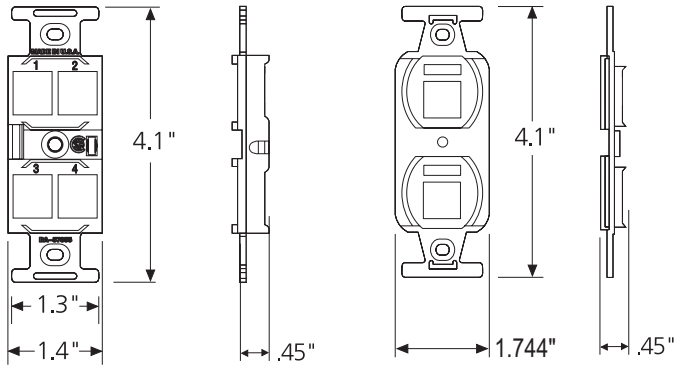
Colombia
T +57.1.743.6045
E infocolombia@leviton.com

South Korea
T +82.2.3273.9963
E infokorea@leviton.com

ELECTRONIC FILES

For CAD files, typical specs, or technical drawings (.DXF, .DWG), visit www.leviton.com.

41087-xxP



Quad 106 Insert

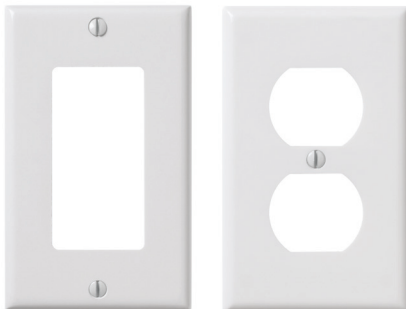
Duplex 106 Insert

PART NUMBERS

Description	Part No.
QuickPort® Quad 106 Insert	41087-Q*P
QuickPort Duplex 106 Insert	41087-2*P

* = Color: Ivory (I), White (W), Grey (G), Black (E), Light Almond (T)

Note: QuickPort snap-in connector modules and duplex electrical wallplates are sold separately. Please refer to the QuickPort connector spec sheets and the Leviton catalog for ordering information.



Inserts fit Decora® and Duplex Wallplates



Leviton Network Solutions
2222 - 222nd St. SE
Bothell, WA 98021-4416

Asia / Pacific
T +1.631.812.6228
E infoasean@leviton.com

Canada
T +1.514.954.1840
E pcservice@leviton.com

Caribbean
T +1.954.593.1896
E infocaribbean@leviton.com

China
T +852.2774.9876
E infochina@leviton.com

Colombia
T +57.1.743.6045
E infocolombia@leviton.com

tel 1-800-824-3005
tel +1-425-486-2222
appeng@leviton.com
www.leviton.com

Europe
T +33.6.8869.1380
E infoeurope@leviton.com

India / SAARC
T +91.80.4322.5678
E infoindia@leviton.com

Mexico
T +52.55.5082.1040
E lsamarketing@leviton.com

Middle East & Africa
T +971.4.886.4722
E lmeinfo@leviton.com

South Korea
T +82.2.3273.9963
E infokorea@leviton.com