

QuickPort® Fiber Optic Adapters ST®, FC, SC, LC and MT-RJ

APPLICATION

Voice/data/image connectivity for workstation cabling termination on coaxial or multimode fiber cable. QuickPort® bulkhead modules snap into any housing with the QuickPort name—flush and surface mount outlets; Multimedia Outlet System (with adapter); patch panels; and patch blocks.

STANDARDS COMPLIANCE

ST, FC, SC, LC
& MT-RJ Adapters: UL Listed; NOM and ACA certified; compliant with TIA-568-B.3 and EIA/TIA 604.

PERFORMANCE SPECIFICATIONS

Dimensions: ST Fiber Adapter: .659"h x .600"w x 1.3"d
FC Fiber Adapter: .83"h x .64"w x 1.01"d
SC Fiber Adapter: .985"h x .576"w x 1.354"d
LC Fiber Adapter: .644"h x .575"w x 1.414"d
MT-RJ Adapter: .885"h x .575"w x 1.102"d

Materials: Snap-in module bodies are high-impact, fire retardant plastic rated UL 94V-0.

ST® Adapter: Singlemode/multimode zirconia sleeve
Singlemode/multimode phos. bronze sleeve

FC Adapter: Singlemode/multimode zirconia sleeve
Singlemode/multimode phos. bronze sleeve

SC Adapter: Singlemode/multimode zirconia sleeve
Singlemode/multimode phos. bronze sleeve

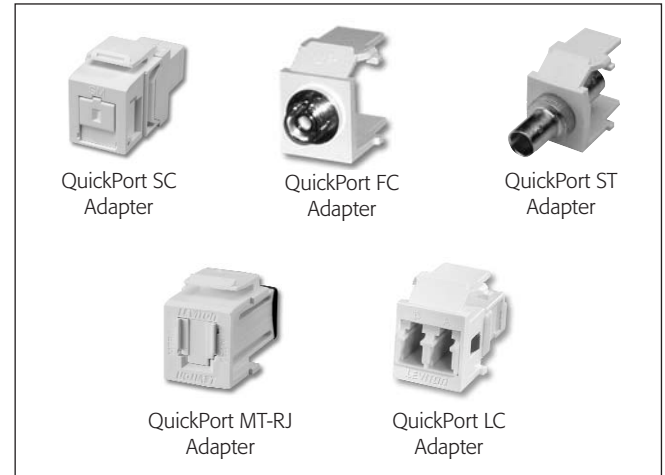
LC Adapter: Singlemode/multimode zirconia sleeve
Singlemode/multimode phos. bronze sleeve

MT-RJ: MT-RJ coupling

DESIGN CONSIDERATIONS

- Adapters snap into QuickPort housings.
- ST, FC, SC & LC QuickPort Adapters are available in standard colors of ivory, white, grey, black & almond.
- LC & SC QuickPort Adapters are also available in blue for identification in singlemode applications.
- Use in permanent or temporary applications.
- ST, FC, SC & LC QuickPort Adapters are available in zirconia ceramic or phosphor bronze sleeves, and are compatible with singlemode and multimode connectors.

See ELECTRONIC FILES for CAD files (.DXF, .DWG, MS-DOS.EPS) on disk



WARRANTY INFORMATION

For a copy of Leviton product warranties, log on to www.levitonvoicedata.com/warranty.

For ELECTRONIC Typical Specs see (.TXT) file on disk.

TYPICAL SPECIFICATION

QuickPort Fiber Optic Adapters for fiber optic cabling media shall be individual snap-in style and shall fit into QuickPort housings. The ST, FC, SC and LC Adapters shall be compatible with singlemode and multimode connectors, and available in zirconia ceramic or phosphor bronze sleeves. ST, FC, SC & LC QuickPort Adapters shall be available in standard colors of ivory, white, grey, black & almond. LC & SC QuickPort Adapters shall also be available in blue for identification in singlemode applications.



For Technical Support Call 1-425-485-4288; in USA call 1-800-824-3005.
Spec sheets and updates are also available at www.levitonvoicedata.com.

2222 – 222nd St. SE • Bothell, WA 98021 USA
Tel: 1-800-722-2082 / 1-425-485-4288 • Fax: 1-425-483-5270 • Int'l Fax: 1-425-485-9170 • GSA Schedule Available



QuickPort® Fiber Optic Adapters

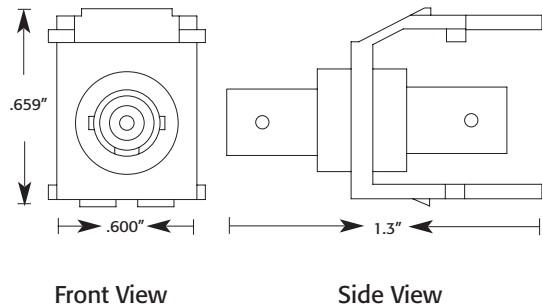
ST®, FC, SC, LC and MT-RJ

Part Numbers
41084-xxx
41085-xxx
49889-QFx

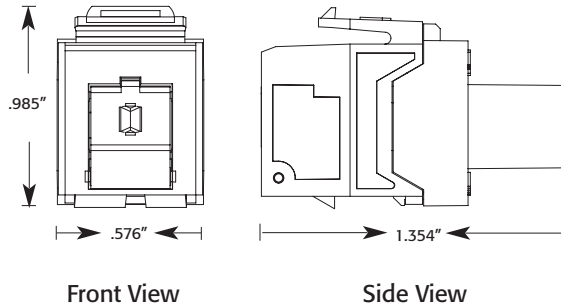
DIMENSIONAL LINE ART

See ELECTRONIC FILES for CAD images
 (.DXF, .DWG, MS-DOS.EPS)

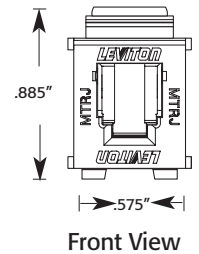
ST QuickPort Adapter



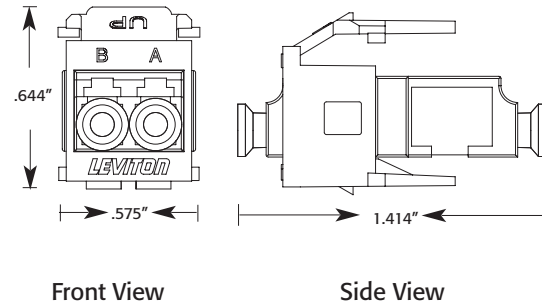
SC QuickPort Adapter



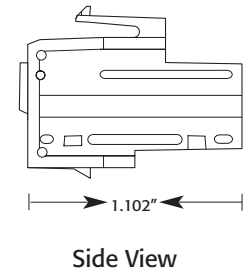
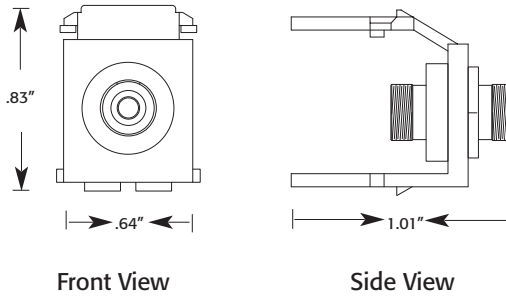
Spectro-Link™ MT-RJ QuickPort Adapter



LC QuickPort Adapter



FC QuickPort Adapter



PART NUMBERS

QuickPort® Fiber Optic Adapters	Part No.
Spectro-Link MT-RJ QuickPort Adapter, MM, no almond	49889-QF*
ST QuickPort Fiber Optic Adapter, SM/MM, Phos. Bronze Sleeve	41084-S*F
ST QuickPort Fiber Optic Adapter, SM/MM, Zirconia Ceramic Sleeve	41084-S*Z
FC QuickPort Fiber Optic Adapter, SM/MM Phos. Bronze Sleeve	41084-F*P
FC QuickPort Fiber Optic Adapter, SM/MM, Zirconia Ceramic Sleeve	41084-F*Z
SC QuickPort Fiber Optic Adapter, MM, Phos. Bronze Sleeve	41085-S°C
SC QuickPort Fiber Optic Adapter, SM, Zirconia Ceramic Sleeve	41085-M°C
Duplex LC QuickPort Duplex Fiber Optic Adapter, Phos. Bronze Sleeve	41085-ML*
Duplex LC QuickPort Duplex Fiber Optic Adapter, Zirconia Ceramic Sleeve	41085-SL°

*=Colors: Ivory (I), White (W), Grey (G), Black (E), Almond (A)
 °=Colors: Ivory (I), White (W), Grey (G), Black (E), Almond (A), Blue (B)

For Technical Support Call 1-425-485-4288; in USA call 1-800-824-3005.
 Spec sheets and updates are also available at www.levitonvoicedata.com.



2222 - 222nd St. SE • Bothell, WA 98021 USA • Tel: 1-800-722-2082 / 1-425-485-4288 • Fax: 1-425-483-5270 • Int'l Fax: 1-425-485-9170 • GSA Schedule Available

