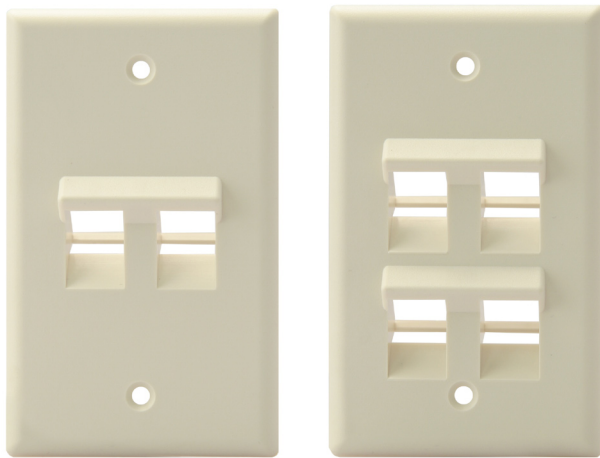


QuickPort® Single-Gang Angled Wallplates

APPLICATION

Field-configurable angled wallplates accept QuickPort® snap-in modules to support multimedia applications with 2- or 4-ports. Use where an economical one-piece, single-gang flush-mount housing is desired. Three color choices, with color-matched screws.



Pictured: 41081-2TP (left), 41081-4TP (right)

SPECIFICATION

The wallplate housing shall be a one-piece, single-gang flush mount style that fits standard NEMA openings. It shall provide 2- or 4-ports and feature an angled design to facilitate optimal cable management. Must be able to accept all Leviton UTP, Fiber, or AV QuickPort modules. It must be made of high-impact, fire-retardant plastic rated UL 94V-0, and be UL Listed, CSA certified and compliant with TIA/EIA-568-B specifications.

FEATURES

- Angled ports facilitate optimal cable management, ensuring proper bend radius compliance in front and back of connector
- Color-matched wallplate screws
- Three color choices: ivory, white, and light almond
- Fits within minimum rectangular NEMA openings
- Compatible with all individual UTP, Fiber, and AV QuickPort modules*
- Individual-port configurability allows specification flexibility
- Ideal for CAT 6A applications at the workstation

DESIGN CONSIDERATIONS

- Fits standard NEMA single-gang backboxes
- For future expansion, install blanks (PN# 41084-B*B) in unused ports.
- Specify port identification method (colored modules, designation labels and custom silkscreening available). To ID ports, use different colored jacks for each application (full selection of TIA/EIA-606 compatible colors, 14 available), or Leviton's pre-printed adhesive Port Designation Labels. (PN#: 41080-LEB)

STANDARDS COMPLIANCE

Meets or exceeds all applicable standards: UL Listed; CSA certified; complies with TIA/EIA-568-B.

PHYSICAL SPECIFICATIONS

Dimensions:	4.50"H x 2.75"W x .98"D
Capacity:	Available in 2- and 4-port versions
Materials:	High-impact, fire-retardant plastic rated UL 94V-0
Mounting:	Color matched screws

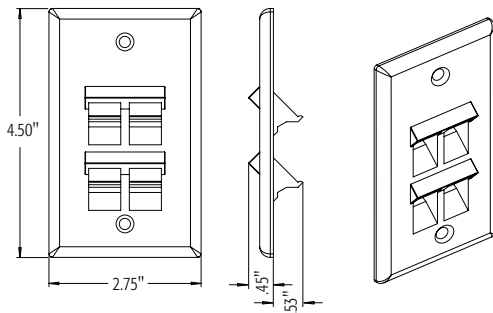
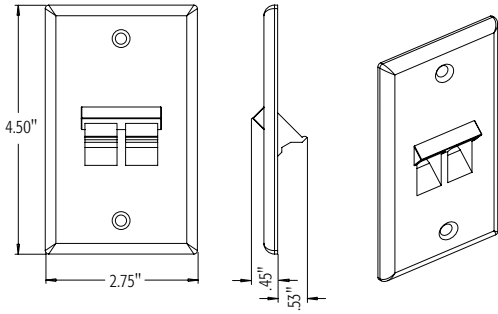
WARRANTY INFORMATION

For a copy of Leviton product warranties, visit www.leviton.com.

- * Due to product dimensions, Shielded Connectors must be installed horizontally (side-by-side). Shielded Connectors installed vertically will not fit correctly into a QuickPort wallplate.

ELECTRONIC FILES

For CAD files, Typical specs, or Dimensional Line Art. (.DXF, .DWG, MS-DOS.eps or .TXT), visit www.leviton.com.



41081-xxP

PART NUMBERS

Description	Part No.
QuickPort Single-Gang Angled 2-Port Wallplate	41081-2xP
QuickPort Single-Gang Angled 4-Port Wallplate	41081-4xP

X = Colors: White (W), Light Almond (T), Ivory (I)

NOTE: QuickPort snap-in modules (connectors and bulkhead connectors and couplings) are sold separately. Please refer to the QuickPort module spec sheets for ordering information.

